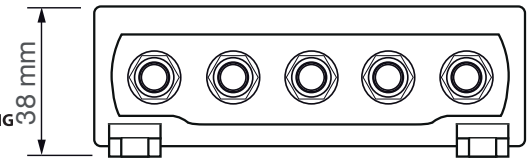
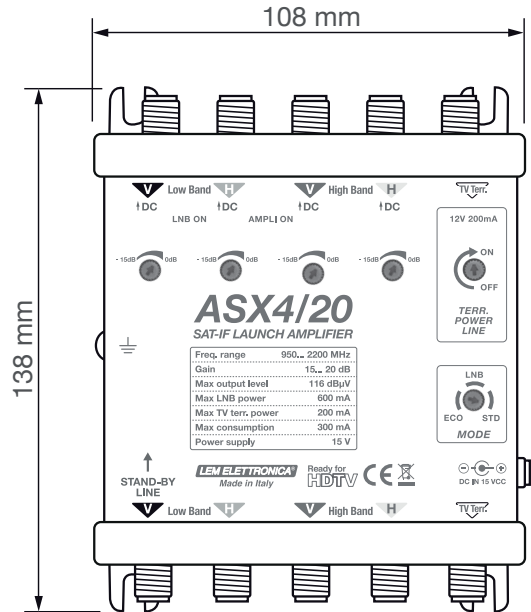


ASX4/20

- IF-SAT 4 ways headend amplifier - 20 dB
- Gain adjuster for each input
- Optimised gain slope
- Power save mode
- Power supply for QUATTRO-LNB (15V)
- Selectable TV 0/12V for Terr. Remote power supply
- DC power input for external power supplier (ALS15)



ITEM		ASX4/20
NUMBER OF IN/OUT		5 / 5
FREQUENCY BAND IF-SAT	MHz	950... 2200
GAIN @950 MHZ	dB	15
GAIN @2150 MHZ	dB	20
TV TERR. LOSS	dB	-0,5
IF-SAT GAIN ADJUSTER	dB	4 x 0/-15 dB
OUTPUT LEVEL MAX.	dBµV	116*
NOISE FIGURE	dB	≤ 7
ISOLATION BETWEEN INPUTS	dB	> 35
ISOLATION BETWEEN OUTPUTS	dB	> 35
RETURN LOSS	dB	> 12
QUATTRO-LNB POWERING		VL / HL / VH / HH (15V)
LNB POWER		600mA total / 300mA single input
AMPLIFIER CONSUMPTION		200mA@15V
TV TERR. REMOTE POWER		12V 200mA
DIMENSIONS		138 X 108 X 38

* CEI EN 50083-3 -35 dB IMA2 R.1.0

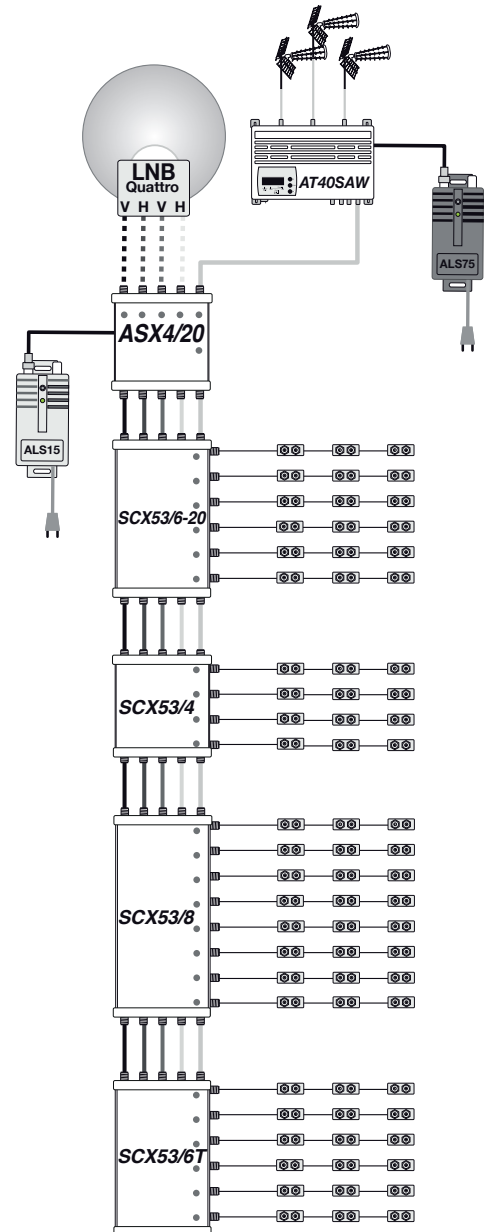
Example 1 : Network with 4 IF-SAT connections for 24 users

The LNB power supply all 4 lines from the ASX4/20, which is powered by the ALS15 power supply.

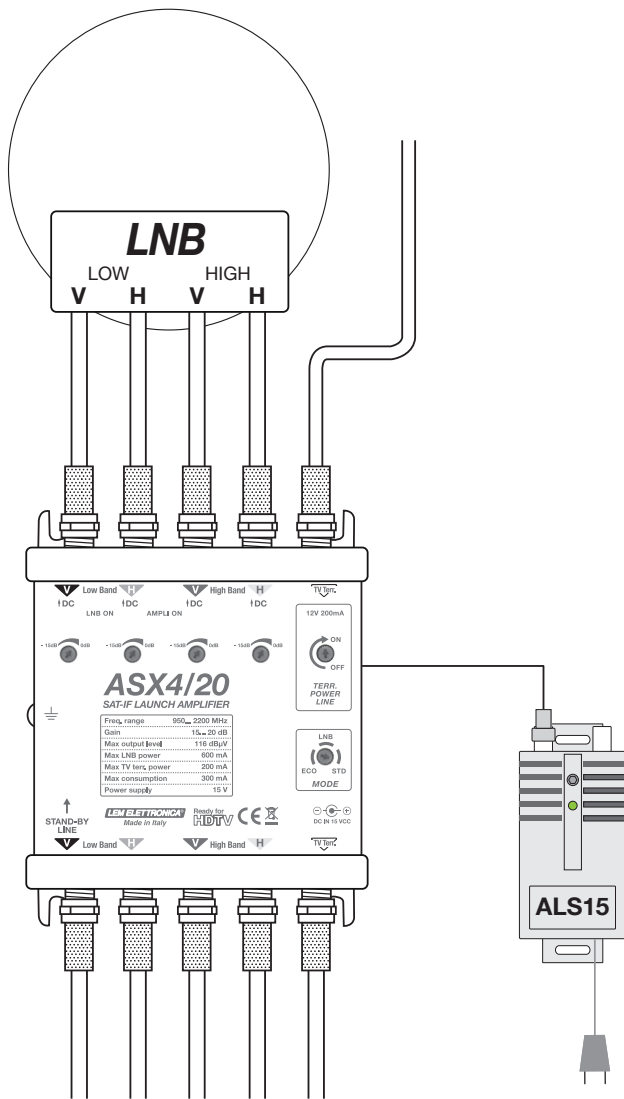
IMPORTANT:

Only use the dedicated power supplier ALS15 to power the ASX4/20.

The employment of other power suppliers can cause malfunctioning and damages not covered by the warranty.



CONNECTIONS



REMOTE POWER SUPPLY



Remote power supply ON 12V on the Tv Terr. input



Remote power supply OFF

HOW TO USE



Amplifier ON
LNB ON



Amplifier stand-by*
LNB ON



Amplifier stand-by*
LNB stand-by*

*It starts when the stand-by line is powered.