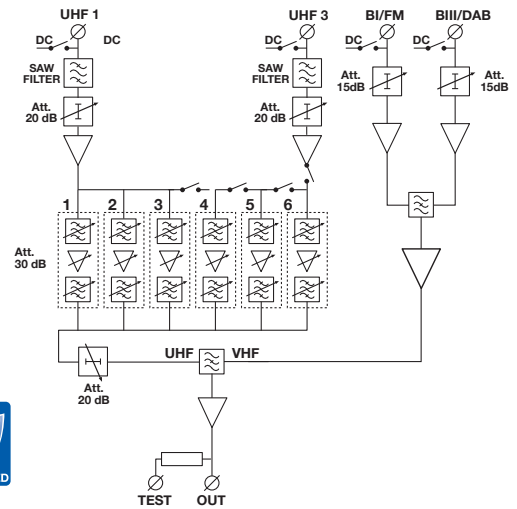


AT406SAW

- ▶ UHF inputs Lte protected by SAW FILTERS 470... 790 MHz
- ▶ UHF gain 40 dB
- ▶ Low noise < 6dB
- ▶ AUTOLEVELING function for self-aligning UHF clusters
- ▶ USER PASSCODE
- ▶ Programmable through unit key
- ▶ Pc Windows and Tablet Android programmable
- ▶ 2 UHF inputs for 4 selectable configurations
- ▶ Die casting chassis



AT406SAW																
EAN CODE	8056045661883															
NUMBER OF UHF INPUTS	2x (470... 790 MHz)															
NUMBER OF VHF INPUTS	1 BI/FM (40... 108 MHz) 1 BI/II/DAB (170... 320 MHz)															
NUMBER OF OUTPUTS	1															
NUMBER OF PROGRAMMABLE CLUSTERS	6															
NUMBER OF CHANNELS PER CLUSTER	1... 6 (8... 48 MHz) 60 channels															
INPUT CONFIGURATIONS	<table border="1"> <thead> <tr> <th></th> <th>UHF1</th> <th>UHF2</th> </tr> </thead> <tbody> <tr> <td></td> <td>6</td> <td>0</td> </tr> <tr> <td></td> <td>5</td> <td>1</td> </tr> <tr> <td></td> <td>4</td> <td>2</td> </tr> <tr> <td></td> <td>3</td> <td>3</td> </tr> </tbody> </table>		UHF1	UHF2		6	0		5	1		4	2		3	3
	UHF1	UHF2														
	6	0														
	5	1														
	4	2														
	3	3														
INPUT ATTENUATORS	dB VHF 0...-15 UHF 0... -20															
CLUSTER GAIN ADJUSTER	dB 0... -30															
MAX UHF INPUT LEVEL	dBμV 100* / 105**															
VHF GAIN	dB 35															
UHF GAIN	dB 40															
MAX OUTPUT LEVEL	dBμV 119* / 124**															
NOISE FIGURE	dB VHF < 6,0 UHF < 6,0															
CLUSTER SELECTIVITY +/- 10 MHZ	dB 12															
RETURN LOSS IN/OUT	dB >12															
TEST OUTPUT	1 (-30 dB)															
REMOTE POWER SUPPLY VHF-UHF INPUTS	12V / 100 mA 24 V / 100 mA															
POWER SUPPLY	230 VAC +/-10% 12W (External power supplier DC 7,5 Volt 3A)															
DIMENSIONS	mm 247 x 200 x 40															

*IM3 DIN 45004B - 60 dBc (analogic channels) **IM3 DIN 45004B - 35 dBc (digital channels)