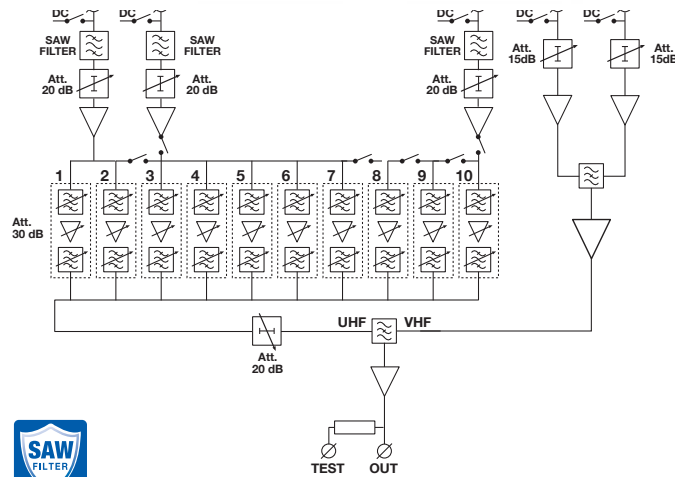


# AT40SAW

- ▶ UHF inputs Lte protected by SAW FILTERS 470... 790 MHz
- ▶ UHF gain 40 dB
- ▶ Low noise < 6dB
- ▶ AUTOLEVELING function for self-aligning UHF clusters
- ▶ USER PASSCODE
- ▶ Programmable through unit key
- ▶ Pc Windows and Tablet Android programmable
- ▶ 10 UHF clusters 1... 6 channels
- ▶ 3 UHF inputs for 9 selectable configurations
- ▶ Die casting chassis



AT40SAW																																									
EAN CODE	8056045660121																																								
NUMBER OF UHF INPUTS	3x (470... 790 MHz)																																								
NUMBER OF VHF INPUTS	1 BI/FM (40... 108 MHz) 1 BIII/DAB (170... 320 MHz)																																								
NUMBER OF OUTPUTS	1																																								
NUMBER OF PROGRAMMABLE CLUSTERS	10																																								
NUMBER OF CHANNELS PER CLUSTER	1... 6 (8... 48 MHz) 60 channels																																								
INPUT CONFIGURATIONS	<table border="1"> <thead> <tr> <th></th> <th>UHF1</th> <th>UHF2</th> <th>UHF3</th> </tr> </thead> <tbody> <tr><td></td><td>10</td><td>0</td><td>0</td></tr> <tr><td></td><td>9</td><td>0</td><td>1</td></tr> <tr><td></td><td>8</td><td>0</td><td>2</td></tr> <tr><td></td><td>7</td><td>0</td><td>3</td></tr> <tr><td></td><td>6</td><td>0</td><td>4</td></tr> <tr><td></td><td>2</td><td>6</td><td>2</td></tr> <tr><td></td><td>2</td><td>5</td><td>3</td></tr> <tr><td></td><td>2</td><td>4</td><td>4</td></tr> <tr><td></td><td>2</td><td>7</td><td>1</td></tr> </tbody> </table>		UHF1	UHF2	UHF3		10	0	0		9	0	1		8	0	2		7	0	3		6	0	4		2	6	2		2	5	3		2	4	4		2	7	1
	UHF1	UHF2	UHF3																																						
	10	0	0																																						
	9	0	1																																						
	8	0	2																																						
	7	0	3																																						
	6	0	4																																						
	2	6	2																																						
	2	5	3																																						
	2	4	4																																						
	2	7	1																																						
INPUT ATTENUATORS VHF-UHF	dB VHF 0...-15 UHF 0... -20																																								
CLUSTERS GAIN ADJUSTER	dB 0... -30																																								
MAX UHF INPUT LEVEL	dBμV 100* / 105**																																								
UHF GAIN	dB 35																																								
VHF GAIN	dB 40																																								
MAX OUTPUT LEVEL VHF-UHF	dBμV 119*/124**																																								
NOISE FIGURE	dB VHF < 6,0 UHF < 6,0																																								
CLUSTERS SELECTIVITY +/- 10 MHZ	dB 12																																								
RETURN LOSS IN/OUT	dB >12																																								
TEST OUTPUT	1 (-30 dB)																																								
REMOTE POWER SUPPLY VHF-UHF INPUTS	12V / 200 mA 24 V / 100 mA																																								
POWER SUPPLY	230 VAC +/-10% 12W (External Adapter DC 7,5 Volt 2A)																																								
DIMENSIONS	mm 247 x 200 x 40																																								

\*IM3 DIN 45004B - 60 dBc (analogic channels) \*\*IM3 DIN 45004B - 35 dBc (digital channels)