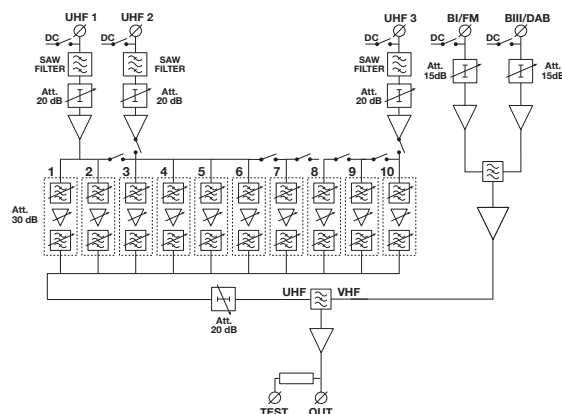


AT450SAW

- ▶ UHF inputs Lte protected by SAW FILTERS 470... 790 MHz
- ▶ UHF 55 dB Gain
- ▶ 10 UHF Programmable clusters 1... 6 channels
- ▶ AUTOLEVELING function for clusters self-aligning
- ▶ USER PASSCODE
- ▶ Programmable through unit key
- ▶ Pc Windows and Tablet Android programmable
- ▶ Die casting chassis



AT450SAW

EAN CODE		8056045662323
NUMBER OF UHF INPUTS		3x (470... 790 MHz)
NUMBER OF VHF INPUTS		1 BI/FM (40... 108 MHz) 1 BIII/DAB (170... 320 MHz)
NUMBER OF OUTPUTS		1
NUMBER OF PROGRAMMABLE CLUSTERS		10
NUMBER OF CHANNELS PER CLUSTER		1... 6 (8... 48 MHz) 60 channels
INPUT / CLUSTERS CONFIGURATIONS		
		UHF1 UHF2 UHF3
		10 0 0
		9 0 1
		8 0 2
		7 0 3
		6 0 4
		2 6 2
		2 5 3
		2 4 4
		2 7 1
INPUT ATTENUATORS VHF-UHF	dB	BI/FM 0... -15 BIII/DAB... -30 UHF 0... -20
CLUSTER GAIN ADJUSTER	dB	0... -30
MAX UHF INPUT LEVEL	dBμV	100* / 105**
UHF GAIN	dB	55
VHF GAIN	dB	45
MAX OUTPUT LEVEL VHF-UHF	dBμV	123*/127**
NOISE FIGURE	dB	VHF < 7,0 UHF < 6,0
CLUSTERS SELECTIVITY +/- 10 MHZ	dB	12
RETURN LOSS IN/OUT	dB	>12
TEST OUTPUT		1 (-30 dB)
REMOTE POWER SUPPLY VHF-UHF INPUTS		12V / 100 mA 24 V / 100 mA
POWER SUPPLY		230 VAC +/-10% 12W (External Adapter DC 7,5 Volt 2A)
DIMENSIONS	mm	247 x 200 x 40

*IM3 DIN 45004B - 60 dBc (analogic channels) **IM3 DIN 45004B - 35 dBc (digital channels)