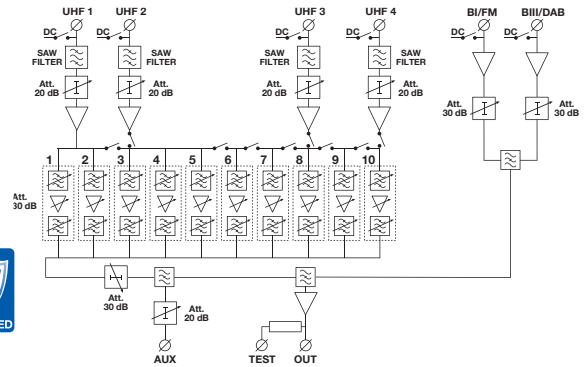


# AT50SAW

- ▶ UHF inputs Lte protected by SAW FILTERS 470... 790 MHz
- ▶ UHF gain 50 dB
- ▶ Low noise < 6dB
- ▶ AUTOLEVELING function for self-aligning of UHF clusters
- ▶ USER PASSCODE
- ▶ Programmable through unit key
- ▶ Pc Windows and Tablet Android programmable
- ▶ 10 UHF clusters 1... 6 channels
- ▶ 4 UHF inputs for 15 selectable configurations
- ▶ Die casting chassis



## AT50SAW

EAN CODE		8056045660138																																																																																
NUMBER OF UHF INPUTS		4x (470... 790 MHz)																																																																																
NUMBER OF VHF INPUTS		1 BI/FM (40... 108 MHz) 1 BI/II/DAB (170... 320 MHz)																																																																																
NUMBER OF AUX INPUTS		1 (40... 862 MHz)																																																																																
NUMBER OF OUTPUTS		1																																																																																
TEST OUTPUT		1 (-30 dB)																																																																																
NUMBER OF PROGRAMMABLE CLUSTERS		10																																																																																
NUMBER OF CHANNELS PER CLUSTER		1... 6 (8... 48 MHz) 60 channels																																																																																
INPUT CONFIGURATIONS		<table border="1"> <thead> <tr> <th></th> <th>UHF1</th> <th>UHF2</th> <th>UHF3</th> <th>UHF4</th> </tr> </thead> <tbody> <tr><td></td><td>10</td><td>0</td><td>0</td><td>0</td></tr> <tr><td></td><td>9</td><td>0</td><td>0</td><td>1</td></tr> <tr><td></td><td>8</td><td>0</td><td>0</td><td>2</td></tr> <tr><td></td><td>7</td><td>0</td><td>3</td><td>0</td></tr> <tr><td></td><td>6</td><td>0</td><td>4</td><td>0</td></tr> <tr><td></td><td>5</td><td>0</td><td>5</td><td>0</td></tr> <tr><td></td><td>7</td><td>0</td><td>2</td><td>1</td></tr> <tr><td></td><td>6</td><td>0</td><td>3</td><td>1</td></tr> <tr><td></td><td>6</td><td>0</td><td>2</td><td>2</td></tr> <tr><td></td><td>5</td><td>0</td><td>4</td><td>1</td></tr> <tr><td></td><td>5</td><td>0</td><td>3</td><td>2</td></tr> <tr><td></td><td>2</td><td>5</td><td>2</td><td>1</td></tr> <tr><td></td><td>2</td><td>4</td><td>3</td><td>1</td></tr> <tr><td></td><td>2</td><td>4</td><td>2</td><td>2</td></tr> <tr><td></td><td>2</td><td>3</td><td>3</td><td>2</td></tr> </tbody> </table>		UHF1	UHF2	UHF3	UHF4		10	0	0	0		9	0	0	1		8	0	0	2		7	0	3	0		6	0	4	0		5	0	5	0		7	0	2	1		6	0	3	1		6	0	2	2		5	0	4	1		5	0	3	2		2	5	2	1		2	4	3	1		2	4	2	2		2	3	3	2
	UHF1	UHF2	UHF3	UHF4																																																																														
	10	0	0	0																																																																														
	9	0	0	1																																																																														
	8	0	0	2																																																																														
	7	0	3	0																																																																														
	6	0	4	0																																																																														
	5	0	5	0																																																																														
	7	0	2	1																																																																														
	6	0	3	1																																																																														
	6	0	2	2																																																																														
	5	0	4	1																																																																														
	5	0	3	2																																																																														
	2	5	2	1																																																																														
	2	4	3	1																																																																														
	2	4	2	2																																																																														
	2	3	3	2																																																																														
INPUT ATTENUATORS VHF-UHF	dB	0... -20																																																																																
CLUSTER GAIN ADJUSTER	dB	0... -30																																																																																
MAX UHF INPUT LEVEL	dBμV	100* / 105**																																																																																
VHF-UHF GAIN	dB	50																																																																																
MAX OUTPUT LEVEL VHF-UHF	dBμV	123*/128**																																																																																
NOISE FIGURE	dB	VHF < 6,0 UHF < 6,0																																																																																
CLUSTERS SELECTIVITY +/- 10 MHZ	dB	12																																																																																
RETURN LOSS IN/OUT	dB	>12																																																																																
REMOTE POWER SUPPLY VHF-UHF INPUTS		12V/200 mA 24V/100 mA																																																																																
POWER SUPPLY		230 VAC +/-10% 16W																																																																																
DIMENSIONS	mm	320 x 260 x 60																																																																																

\*IM3 DIN 45004B - 60 dBc (analogic channels) \*\*IM3 DIN 45004B - 35 dBc (digital channels)