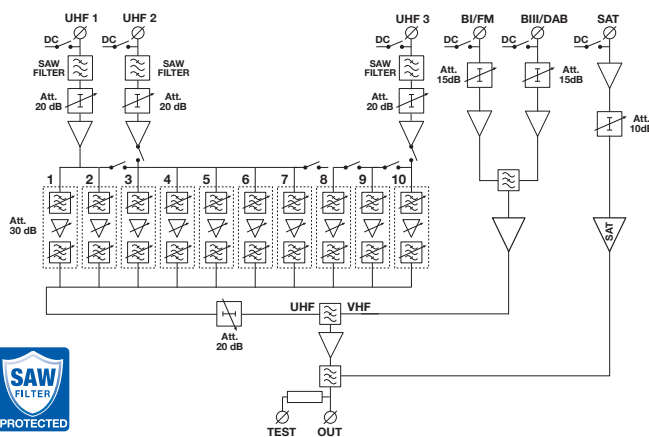


ATS40SAW

- ▶ IF-SAT amplifier 30 dB
- ▶ UHF inputs Lte protected by SAW FILTERS 470... 790 MHz
- ▶ UHF gain 40 dB
- ▶ Low noise < 6dB
- ▶ AUTOLEVELING function for self-aligning UHF clusters
- ▶ USER PASSCODE
- ▶ Programmable through unit key
- ▶ Pc Windows and Tablet Android programmable
- ▶ 10 UHF clusters 1... 6 channels
- ▶ 3 UHF inputs for 9 selectable configurations
- ▶ Die casting chassis



ATS40SAW

EAN CODE		8056045660145
NUMBER OF UHF INPUTS		3x (470... 790 MHz)
NUMBER OF VHF INPUTS		1 BI/FM (40... 108 MHz) 1 BIII/DAB (170... 320 MHz)
NUMBER OF IF-SAT INPUTS		1 (950... 2150 MHz)
NUMBER OF OUTPUTS		1
TEST OUTPUT		1 (-30 dB)
NUMBER OF PROGRAMMABLE CLUSTERS		10
NUMBER OF CHANNELS PER CLUSTER		1... 6 (8... 48 MHz) 60 channels
INPUT CONFIGURATIONS		
		UHF1 UHF2 UHF3
		10 0 0
		9 0 1
		8 0 2
		7 0 3
		6 0 4
		2 6 2
		2 5 3
		2 4 4
		2 7 1
INPUT ATTENUATORS VHF-UHF	dB	VHF 0...-15 UHF 0... -20
CLUSTER GAIN ADJUSTER	dB	0... -30
AX UHF INPUT LEVEL	dBμV	100* / 105**
VHF-UHF GAIN	dB	35 - 40
MAX OUTPUT LEVEL VHF-UHF	dBμV	119* / 124**
NOISE FIGURE	dB	VHF < 6,0 UHF < 6,0
IF-SAT GAIN / OUTPUT LEVEL		30 dB (TILT 6 dB) 118** dBμV
CLUSTERS SELECTIVITY +/- 10 MHZ	dB	12
RETURN LOSS IN/OUT	dB	>12
REMOTE POWER SUPPLY VHF-UHF INPUTS		12V / 100 mA 24 V / 100 mA
IF-SAT REMOTE POWER SUPPLY		13/18 Volt 0/22 KHz 250 mA
POWER SUPPLY		230 VAC +/-10% 17W (External Adapter DC 7,5 Volt 3A)
DIMENSIONS	mm	247 x 200 x 40

*IM3 DIN 45004B - 60 dBc (analogic channels) **IM3 DIN 45004B - 35 dBc (digital channels)