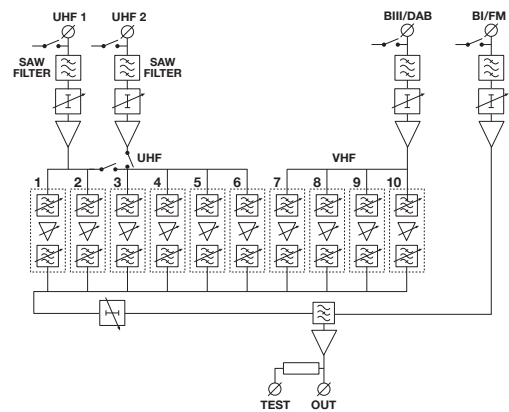


ATV450SAW

- ▶ UHF inputs Lte protected by SAW FILTERS 470... 790 MHz
- ▶ UHF 55 dB Gain
- ▶ 6 UHF + 4 VHF Programmable clusters 1... 6 channels
- ▶ AUTOLEVELING function for clusters self-aligning
- ▶ USER PASSCODE
- ▶ Programmable through unit key
- ▶ Pc Windows and Tablet Android programmable
- ▶ Die casting chassis



ATV450SAW

EAN CODE		8056045662330		
NUMBER OF UHF INPUTS		2 x (470... 790 MHz)		
NUMBER OF VHF INPUTS		1 BI/FM (40... 108 MHz) 1 BIII/DAB (170... 230 MHz)		
NUMBER OF OUTPUTS		1		
NUMBER OF PROGRAMMABLE CLUSTERS		6 UHF + 4 VHF		
NUMBER OF CHANNELS PER CLUSTER		1... 6 (8... 48 MHz) 60 channels		
CLUSTERS / INPUT CONFIGURATIONS		UHF1	UHF2	BIII/DAB
		6	0	4
		2	4	4
INPUT ATTENUATORS VHF-UHF	dB	BI/FM 0... -15	BIII/DAB... -30	UHF 0... -20
CLUSTER GAIN ADJUSTER	dB	0... -30		
MAX UHF INPUT LEVEL	dBμV	100* / 105**		
UHF GAIN	dB	55		
VHF GAIN	dB	45		
MAX OUTPUT LEVEL VHF-UHF	dBμV	123*/127**		
NOISE FIGURE	dB	VHF < 7,0 UHF < 6,0		
CLUSTERS SELECTIVITY +/- 10 MHz	dB	12		
RETURN LOSS IN/OUT	dB	>12		
TEST OUTPUT		1 (-30 dB)		
REMOTE POWER SUPPLY VHF-UHF INPUTS		12V / 100 mA 24 V / 100 mA		
POWER SUPPLY		230 VAC +/-10% 12W (External Adapter DC 7,5 Volt 2A)		
DIMENSIONS	mm	247 x 200 x 40		

*IM3 DIN 45004B - 60 dBc (analogic channels) **IM3 DIN 45004B - 35 dBc (digital channels)