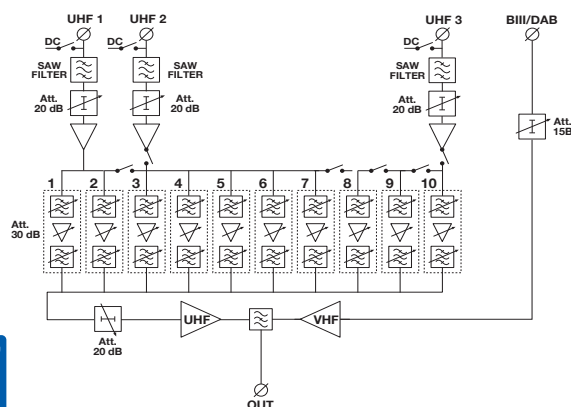


FTA310SAW

- ▶ UHF inputs Lte protected by SAW FILTERS 470... 790 MHz
- ▶ UHF gain 20 dB
- ▶ Low noise < 6dB
- ▶ AUTOLEVELING function for self-aligning UHF clusters
- ▶ USER PASSCODE
- ▶ Programmable through unit key
- ▶ Pc Windows and Tablet Android programmable
- ▶ 10 UHF clusters 1... 6 channels
- ▶ 3 UHF inputs for 9 selectable configurations
- ▶ Die casting chassis



FTA310SAW

EAN CODE		8056045660367
NUMBER OF UHF INPUTS		3x (470... 790 MHz)
NUMBER OF VHF INPUTS		1 BIII/DAB (170... 320 MHz)
NUMBER OF OUTPUT		1
NUMBER OF PROGRAMMABLE CLUSTERS		10
NUMBER OF CHANNELS PER CLUSTER		1... 6 (8... 48 MHz) 60 channels
INPUT CONFIGURATIONS		
		UHF1 UHF2 UHF3
		10 0 0
		9 0 1
		8 0 2
		7 0 3
		6 0 4
		2 6 2
		2 5 3
		2 4 4
		2 7 1
INPUT ATTENUATORS VHF-UHF	dB	VHF 0...-15 UHF 0... -20
CLUSTER GAIN ADJUSTER	dB	0... -30
MAX UHF INPUT LEVEL	dBμV	100*/105**
VHF GAIN	dB	18
UHF GAIN	dB	20
MAX OUTPUT LEVEL VHF-UHF	dBμV	100*/105**
NOISE FIGURE	dB	VHF < 6,0 UHF < 6,0
CLUSTERS SELECTIVITY +/- 10 MHZ	dB	12
RETURN LOSS IN/OUT	dB	>12
REMOTE POWER SUPPLY VHF-UHF INPUTS		12V / 200 mA 24 V / 100 mA
POWER SUPPLY		230 VAC +/-10% 12W (External Adapter DC 7,5 Volt 2A)
DIMENSIONS	mm	247 x 200 x 40

*IM3 DIN 45004B - 60 dBc (analogic channels) **IM3 DIN 45004B - 35 dBc (digital channels)