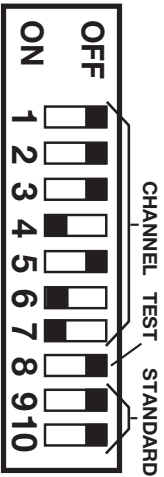


INSTALLATION

- STEP 1** Attach the audio and video connector (SCART) and the RF connector (F)
- STEP 2** Set the dip-switch using the model channels table to obtain the channel required
- STEP 3** Plug in the modulator power cord (230V 2VA)
- STEP 4** Adjust the RF out level by the RF LEVEL Trimmer.



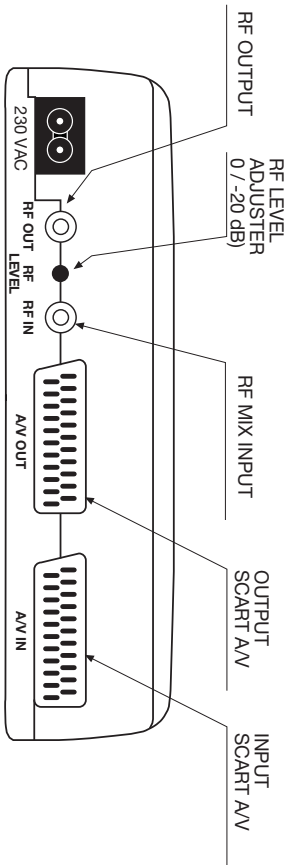
STANDARD	DIP9	DIP10
PAL B/G	OFF	OFF
PAL I	OFF	ON
PAL/DK	ON	OFF
SECAM L.L.	ON	ON

AUDIO VIDEO TEST SIGNAL(TPSSG)

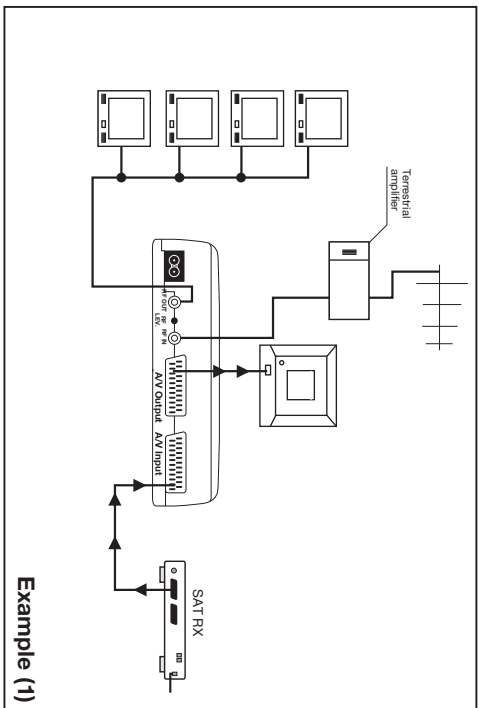
Setting ON the dip-switch n°8 MX300S generates a 1 KHz standard audio tone and a black and white video pattern to test the RF output.



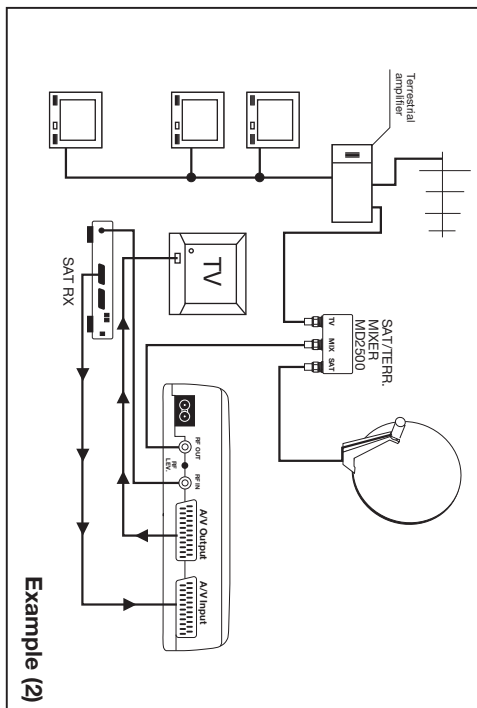
CONNEXIONS



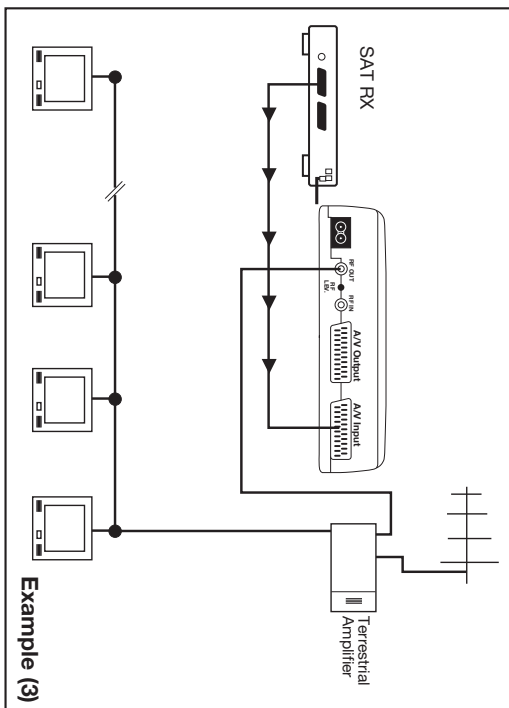
CAUTION !
TO AVOID RISKS OF ELECTRIC SHOCKS DISCONNECT THE POWER SUPPLY CABLE BEFORE REMOVE THE COVERS.



Example (1)



Example (2)



Example (3)