

SCX94/4 SCX94/4T

- ▶ 4 Autoswitching Legacy/SCR taps
- ▶ 4 SCR frequency slots per tap
- ▶ Reverse function A/B to B/A position
- ▶ IF-SAT with Automatic Control Gain
- ▶ 3 step selectable Legacy/SCR output level
- ▶ Legacy/SCR Status Led
- ▶ Tap output with 5 dB positive tilt
- ▶ Zamak brackets for heat cooling
- ▶ LTE ready
- ▶ DC plug for LNB powering
- ▶ Return-path channel 5 - 65 MHz

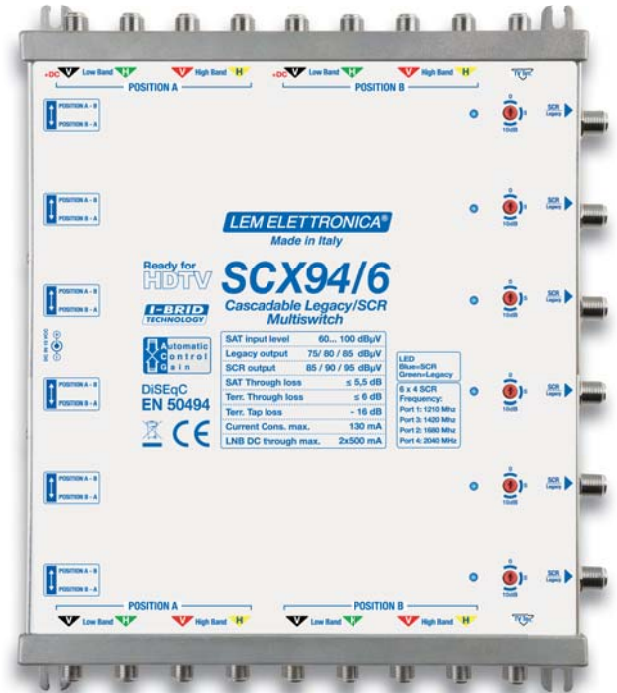


ITEM CODE		SCX94/4	SCX94/4T
TYPE		Cascadable	End
FREQUENCY BAND IF-SAT	MHz	950... 2200	
FREQUENCY BAND TERRESTRIAL TV	MHz	5... 790	
NUMBER OF IN/OUT (IF-SAT + TERR. TV)		9 / 9	9/-
NUMBER OF TAPS		4	
INPUT LEVEL (C.A.G.)	dB μ V	60...100	90...100
OUTPUT LEVEL LEGACY	dB μ V	75 / 80 / 85	
OUTPUT LEVEL SCR	dB μ V	85 / 90 / 95	
GAIN ADJUSTER (LEGACY & SCR)	dB	0 / +5 / +10	
THROUGH LOSS IF-SAT	dB	$\leq 3,5$	-
THROUGH LOSS TERRESTRIAL TV	dB	$\leq 4,5$	-
TAP LOSS TERRESTRIAL TV	dB	-14	
OUTPUT FREQUENCY SCR (4X4)	MHz	1210, 1420, 1680, 2040	
CROSS-POLAR SAT ISOLATION	dB	> 30	
ISOLATION BETWEEN INPUTS	dB	> 30	
PHASE NOISE	dBc/Hz	-90 @ DELTA F=1KHZ	
RETURN LOSS	dB	> 12	
REMOTE POWER LNB		Vertical low band Polarisation	
REMOTE SUPPLY MAX.	mA	500	
CONSUMPTION MAX. @ 13V	mA	130	
DIMENSIONS	mm	210 X 188 X 38	

* CEI EN 50083-3 -35 dB IMA2

SCX94/6 SCX94/6T

- ▶ 6 Autoswitching Legacy/SCR taps
- ▶ 4 SCR frequency slots per tap
- ▶ Reverse function A/B to B/A position
- ▶ IF-SAT with Automatic Control Gain
- ▶ 3 step selectable Legacy/SCR output level
- ▶ Legacy/SCR Status Led
- ▶ Tap output with 5 dB positive tilt
- ▶ Zamak brackets for heat cooling
- ▶ LTE ready
- ▶ DC plug for LNB powering
- ▶ Return-path channel 5 - 65 MHz

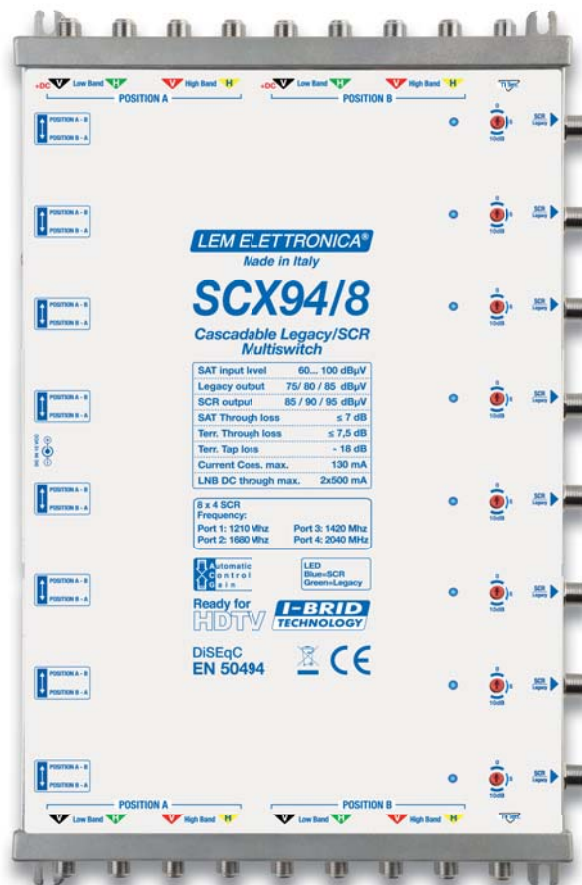


ITEM CODE	SCX94/6	SCX94/6T
TYPE	Cascadable	End
FREQUENCY BAND IF-SAT	MHz	950... 2200
FREQUENCY BAND TERRESTRIAL TV	MHz	5... 790
NUMBER OF IN/OUT (IF-SAT + TERR. TV)	9 / 9	9 / -
NUMBER OF TAPS		6
INPUT LEVEL (C.A.G.)	dBμV	60...100
OUTPUT LEVEL LEGACY	dBμV	75 / 80 / 85
OUTPUT LEVEL SCR	dBμV	85 / 90 / 95
GAIN ADJUSTER (LEGACY & SCR)	dB	0 / +5 / +10
THROUGH LOSS IF-SAT	dB	≤ 5,5
THROUGH LOSS TERRESTRIAL TV	dB	≤ 6
TAP LOSS TERRESTRIAL TV	dB	- 16
OUTPUT FREQUENCY SCR (6X4)	MHz	1210, 1420, 1680, 2040
CROSS-POLAR SAT ISOLATION	dB	> 30
ISOLATION BETWEEN INPUTS	dB	> 30
PHASE NOISE	dBc/Hz	-90 @ DELTA F=1KHZ
RETURN LOSS	dB	> 12
REMOTE POWER LNB		Vertical low band Polarisation
REMOTE SUPPLY MAX.	mA	500
CONSUMPTION MAX. @ 13V	mA	130
DIMENSIONS	mm	210 X 254 X 38

* CEI EN 50083-3 -35 dB IMA2

SCX94/8 SCX94/8T

- ▶ 8 Autoswitching Legacy/SCR taps
- ▶ 4 SCR frequency slots per tap
- ▶ Autoreverse function A/B to B/A position
- ▶ IF-SAT with Automatic Control Gain
- ▶ 3 step selectable Legacy/SCR output level
- ▶ Legacy/SCR Status Led
- ▶ Tap output with 5 dB positive tilt
- ▶ Zamak brackets for heat cooling
- ▶ LTE ready
- ▶ DC plug for LNB powering
- ▶ Return-path channel 5 - 65 MHz



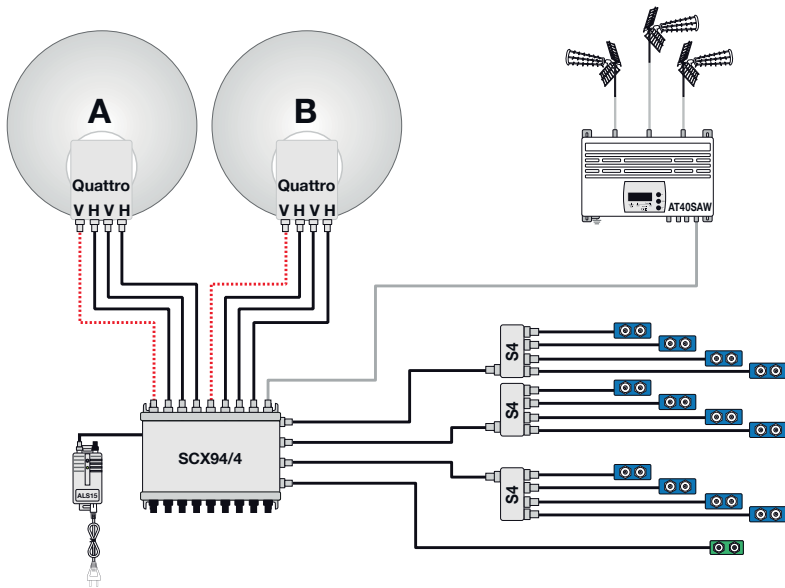
5
WARRANTY YEARS

Ready for
HDTV

ENERGY SAVING
Stand-by mode

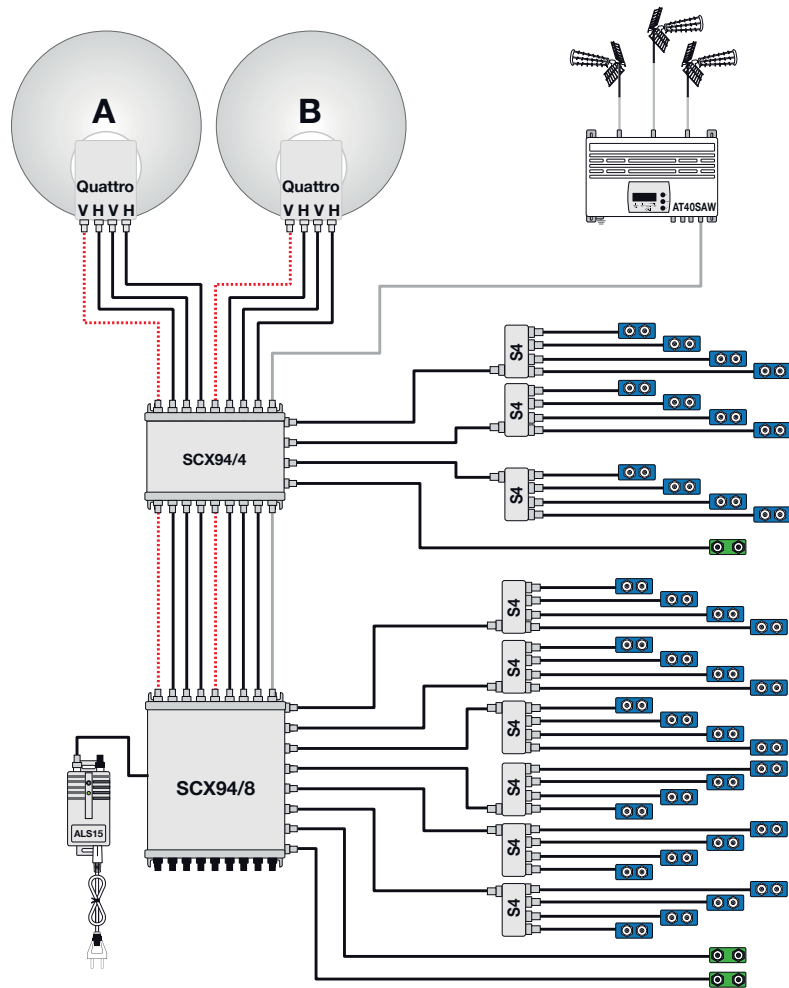
ITEM CODE		SCX94/8	SCX94/8T
TYPE		Cascadable	End
FREQUENCY BAND IF-SAT	MHz	950... 2200	
FREQUENCY BAND TERRESTRIAL TV	MHz	5... 790	
NUMBER OF IN/OUT (IF-SAT + TERR. TV)		9 / 9	9 / -
NUMBER OF TAPS		8	
INPUT LEVEL (C.A.G.)	dB μ V	60...100	90...100
OUTPUT LEVEL LEGACY	dB μ V	75 / 80 / 85	
OUTPUT LEVEL SCR	dB μ V	85 / 90 / 95	
GAIN ADJUSTER (LEGACY & SCR)	dB	0 / +5 / +10	
THROUGH LOSS IF-SAT	dB	≤ 7	-
THROUGH LOSS TERRESTRIAL TV	dB	$\leq 7,5$	-
TAP LOSS TERRESTRIAL TV	dB	- 18	
OUTPUT FREQUENCY SCR (8X4)	MHz	1210, 1420, 1680, 2040	
CROSS-POLAR SAT ISOLATION	dB	> 30	
ISOLATION BETWEEN INPUTS	dB	> 30	
PHASE NOISE	dBc/Hz	-90 @ DELTA F=1KHZ	
RETURN LOSS	dB	> 12	
REMOTE POWER LNB		Vertical low band Polarisation	
REMOTE SUPPLY MAX.	mA	500	
CONSUMPTION MAX. @ 13V	mA	130	
DIMENSIONS	mm	210 X 324 X 38	

* CEI EN 50083-3 -35 dB IMA2








Example 1

Network for **12 SCR** connections and **1 Legacy**. The LNB is powered by the DC power plug.



Example 2

Network for **36 SCR** connections and **3 Legacy**. The LNB is powered by the DC power plug. The power supply can be connected to any multiswitch.

-  Legacy output line + TV Terr. line
-  SCR output line + TV Terr. line
-  Four-way splitter with diodes
-  Two-way splitter with diodes
-  LNB power path