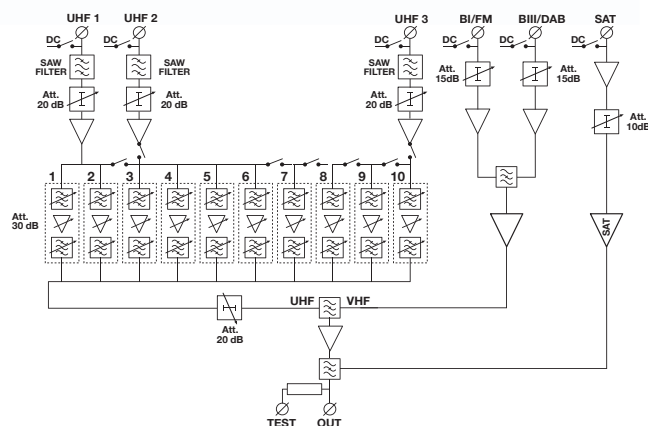
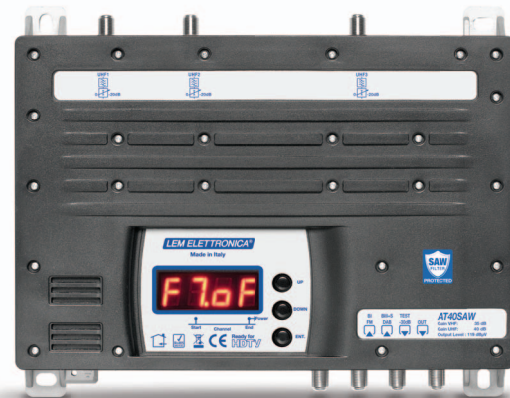


ATS40SAW

- ▶ Amplificatore IF-SAT 30dB / 118 dBμV
- ▶ Protezione degli ingressi UHF dalle interferenze Lte mediante SAW FILTERS 470... 790 MHz
- ▶ Funzione AUTOLEVELING per l'equalizzazione automatica dei filtri UHF
- ▶ PASSCODE per blocco antimanomissione
- ▶ Programmazione diretta e da PC o tablet/ smartphone via USB
- ▶ 3 ingressi UHF con 10 configurazioni d'ingresso
- ▶ Telaio interamente in pressofusione



| ATS40SAW | | | | | | | | | | | | | | | | | | | | | | | | | | | | | | | | | | | | | | | | | | | | | | |
|---|------|---|------|------|------|------|---|----|---|---|---|---|---|---|--|---|---|---|--|---|---|---|--|---|---|---|--|---|---|---|--|---|---|---|--|---|---|---|--|---|---|---|--|---|---|---|
| NUMERO INGRESSI UHF | | 3x (470... 790 MHz) | | | | | | | | | | | | | | | | | | | | | | | | | | | | | | | | | | | | | | | | | | | | |
| NUMERO INGRESSI VHF | | 1 BI/FM (40... 108 MHz) 1 BIII/DAB (170... 320 MHz) | | | | | | | | | | | | | | | | | | | | | | | | | | | | | | | | | | | | | | | | | | | | |
| NUMERO INGRESSI IF-SAT | | 1 (950... 2150 MHz) | | | | | | | | | | | | | | | | | | | | | | | | | | | | | | | | | | | | | | | | | | | | |
| NUMERO USCITE | | 1 | | | | | | | | | | | | | | | | | | | | | | | | | | | | | | | | | | | | | | | | | | | | |
| USCITA TEST | | 1 (-30 dB) | | | | | | | | | | | | | | | | | | | | | | | | | | | | | | | | | | | | | | | | | | | | |
| NUMERO FILTRI PROGRAMMABILI | | 10 | | | | | | | | | | | | | | | | | | | | | | | | | | | | | | | | | | | | | | | | | | | | |
| NUMERO CANALI PER FILTRO | | 1... 6 (8... 48 MHz) 60 canali | | | | | | | | | | | | | | | | | | | | | | | | | | | | | | | | | | | | | | | | | | | | |
| CONFIGURAZIONI D'INGRESSO | | <table border="1"> <thead> <tr> <th></th> <th>UHF1</th> <th>UHF2</th> <th>UHF3</th> </tr> </thead> <tbody> <tr> <td>*IM3 DIN 45004B - 60 dBc (canali analogici)</td> <td>10</td> <td>0</td> <td>0</td> </tr> <tr> <td>**IM3 DIN 45004B - 35 dBc (canali digitali)</td> <td>9</td> <td>0</td> <td>1</td> </tr> <tr> <td></td> <td>8</td> <td>0</td> <td>2</td> </tr> <tr> <td></td> <td>7</td> <td>0</td> <td>3</td> </tr> <tr> <td></td> <td>6</td> <td>0</td> <td>4</td> </tr> <tr> <td></td> <td>2</td> <td>8</td> <td>0</td> </tr> <tr> <td></td> <td>2</td> <td>7</td> <td>1</td> </tr> <tr> <td></td> <td>2</td> <td>6</td> <td>2</td> </tr> <tr> <td></td> <td>2</td> <td>5</td> <td>3</td> </tr> <tr> <td></td> <td>2</td> <td>4</td> <td>4</td> </tr> </tbody> </table> | | UHF1 | UHF2 | UHF3 | *IM3 DIN 45004B - 60 dBc (canali analogici) | 10 | 0 | 0 | **IM3 DIN 45004B - 35 dBc (canali digitali) | 9 | 0 | 1 | | 8 | 0 | 2 | | 7 | 0 | 3 | | 6 | 0 | 4 | | 2 | 8 | 0 | | 2 | 7 | 1 | | 2 | 6 | 2 | | 2 | 5 | 3 | | 2 | 4 | 4 |
| | UHF1 | UHF2 | UHF3 | | | | | | | | | | | | | | | | | | | | | | | | | | | | | | | | | | | | | | | | | | | |
| *IM3 DIN 45004B - 60 dBc (canali analogici) | 10 | 0 | 0 | | | | | | | | | | | | | | | | | | | | | | | | | | | | | | | | | | | | | | | | | | | |
| **IM3 DIN 45004B - 35 dBc (canali digitali) | 9 | 0 | 1 | | | | | | | | | | | | | | | | | | | | | | | | | | | | | | | | | | | | | | | | | | | |
| | 8 | 0 | 2 | | | | | | | | | | | | | | | | | | | | | | | | | | | | | | | | | | | | | | | | | | | |
| | 7 | 0 | 3 | | | | | | | | | | | | | | | | | | | | | | | | | | | | | | | | | | | | | | | | | | | |
| | 6 | 0 | 4 | | | | | | | | | | | | | | | | | | | | | | | | | | | | | | | | | | | | | | | | | | | |
| | 2 | 8 | 0 | | | | | | | | | | | | | | | | | | | | | | | | | | | | | | | | | | | | | | | | | | | |
| | 2 | 7 | 1 | | | | | | | | | | | | | | | | | | | | | | | | | | | | | | | | | | | | | | | | | | | |
| | 2 | 6 | 2 | | | | | | | | | | | | | | | | | | | | | | | | | | | | | | | | | | | | | | | | | | | |
| | 2 | 5 | 3 | | | | | | | | | | | | | | | | | | | | | | | | | | | | | | | | | | | | | | | | | | | |
| | 2 | 4 | 4 | | | | | | | | | | | | | | | | | | | | | | | | | | | | | | | | | | | | | | | | | | | |
| ATTENUATORI D'INGRESSO | dB | VHF 0...-15 UHF 0... -20 | | | | | | | | | | | | | | | | | | | | | | | | | | | | | | | | | | | | | | | | | | | | |
| REGOLAZIONE GUADAGNO FILTRI | dB | 0... -30 | | | | | | | | | | | | | | | | | | | | | | | | | | | | | | | | | | | | | | | | | | | | |
| LIV. MAX D'INGRESSO UHF | dBμV | 100* / 105** | | | | | | | | | | | | | | | | | | | | | | | | | | | | | | | | | | | | | | | | | | | | |
| GUADAGNO VHF | dB | 35 | | | | | | | | | | | | | | | | | | | | | | | | | | | | | | | | | | | | | | | | | | | | |
| GUADAGNO UHF | dB | 40 | | | | | | | | | | | | | | | | | | | | | | | | | | | | | | | | | | | | | | | | | | | | |
| LIVELLO MAX D'USCITA | dBμV | 119* / 124** | | | | | | | | | | | | | | | | | | | | | | | | | | | | | | | | | | | | | | | | | | | | |
| CIFRA DI RUMORE | dB | VHF < 7,0 UHF < 6,0 | | | | | | | | | | | | | | | | | | | | | | | | | | | | | | | | | | | | | | | | | | | | |
| GUADAGNO / LIV. DI USCITA IF-SAT | | 30 dB (TILT 6 dB) 118** dBμV | | | | | | | | | | | | | | | | | | | | | | | | | | | | | | | | | | | | | | | | | | | | |
| SELETTIVITA' FILTRI +/- 10 MHZ | dB | 12 | | | | | | | | | | | | | | | | | | | | | | | | | | | | | | | | | | | | | | | | | | | | |
| RETURN LOSS IN/OUT | dB | >12 | | | | | | | | | | | | | | | | | | | | | | | | | | | | | | | | | | | | | | | | | | | | |
| TEALIMENTAZIONE INGRESSI VHF-UHF | | 12V / 100 mA 24 V / 100 mA | | | | | | | | | | | | | | | | | | | | | | | | | | | | | | | | | | | | | | | | | | | | |
| TEALIMENTAZIONE IF-SAT | | 13/18 Volt 0/22 KHz 250 mA | | | | | | | | | | | | | | | | | | | | | | | | | | | | | | | | | | | | | | | | | | | | |
| ALIMENTAZIONE | | 230 VAC +/-10% 17W (Alim. esterno DC 7,5 Volt 3A) | | | | | | | | | | | | | | | | | | | | | | | | | | | | | | | | | | | | | | | | | | | | |
| DIMENSIONI | mm | 247 x 200 x 40 | | | | | | | | | | | | | | | | | | | | | | | | | | | | | | | | | | | | | | | | | | | | |