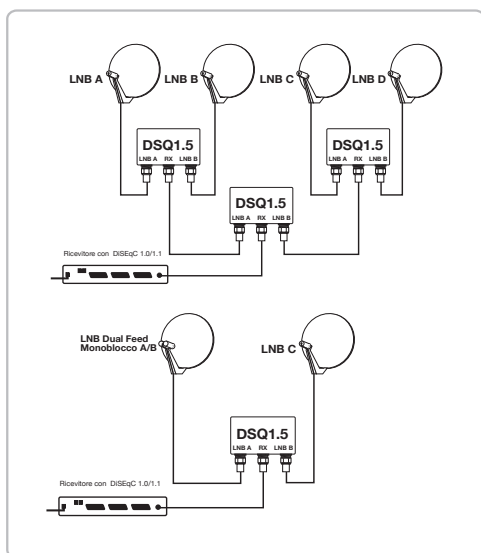


SWITCH DiSEqC

- ▶ High separation between inputs
- ▶ Low through loss
- ▶ Waterproof post box*

DiSEqC switch to connect the signals coming from two, three, four universal LNBs to one single coaxial cable.

* Only for DSQ1.5 and DSQ3



ITEM		DSQ1.5	DSQ3	DSQ4
INPUTS		2	3	4
FREQUENCY RESPONSE	MHz		900...2500	
THROUGH LOSS	dB	≤ 1	≤ 3	≤ 3,5
RETURN LOSS	dB	≥ 12	≥ 10	≥ 12
ISOLATION BETWEEN INPUTS	dB	≥ 50	≥ 40	≥ 30
SWITCHING STANDARD			DiSEqC 1.0; 2.0	
DC THROUGH LOAD MAX	mA		500	
CONSUMPTION MAX.			12 ...20 V 40 mA	
DC DROP			160mV@250 mA	
CPS2 COMPATIBILITY		si	si	no