





MSW4/12

4 cable Wide Band splitter

-  **4 Wide Band lines from 250 to 2400 MHz**
-  **Low loss of passage**
-  **High isolation between inputs**
-  **Current passing from all inputs**

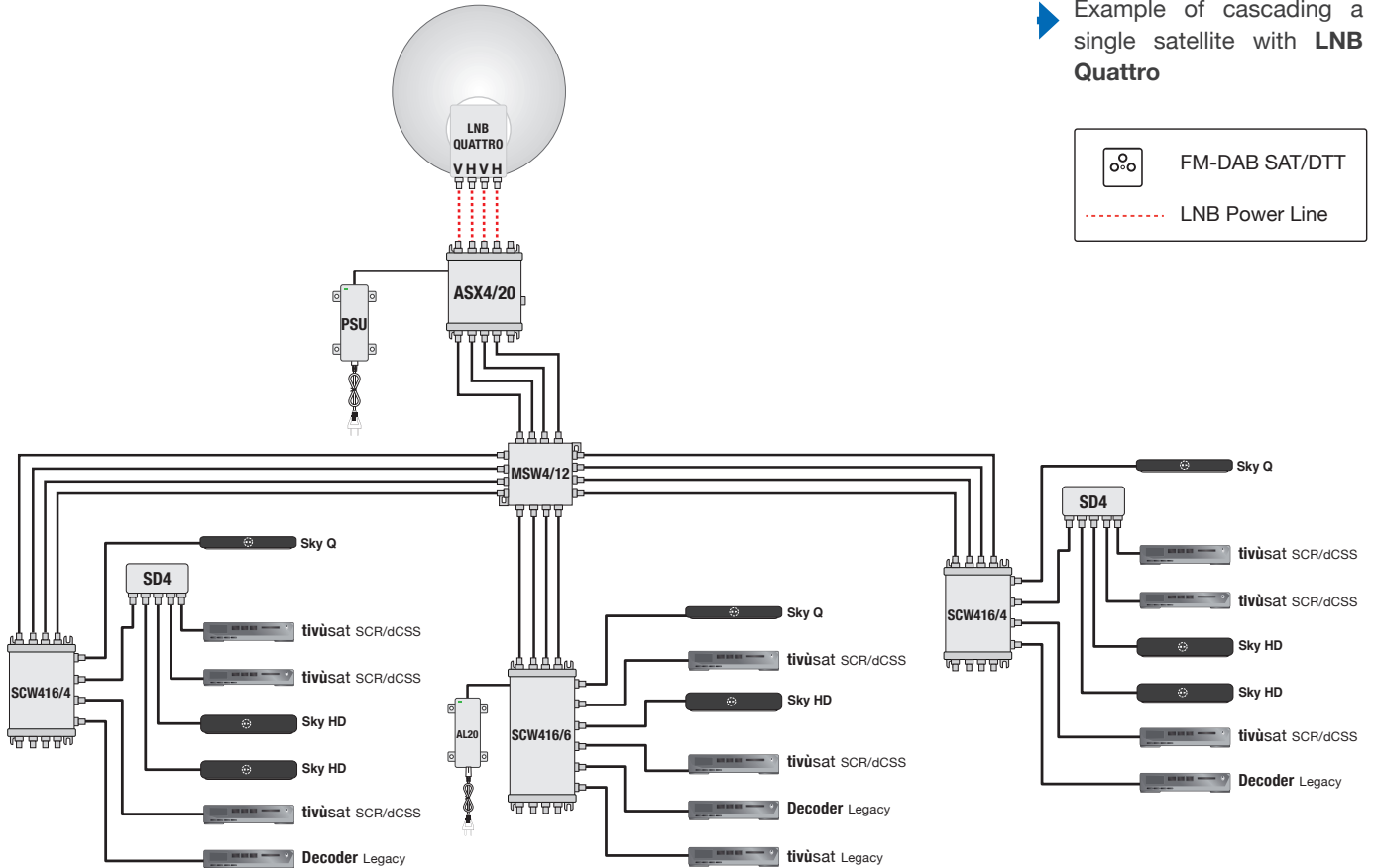
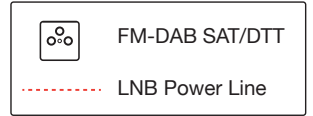


WARRANTY **5** YEARS

MODEL		MSW4/12
TYPE		3-Way
INPUTS		4
OUTPUTS		4+4+4
FREQUENCY RANGE		250 - 2400 MHz
LOSS	dB	≤ 7,5
INPUTS ISOLATION	dB	> 40
OUTPUTS ISOLATION	dB	> 40
RETURN LOSS	dB	> 20
MAX. CURRENT PASS THROUGH	mA	1.000
DIMENSIONS	mm	95 x 95 x 27

Connection Diagram

▶ Example of cascading a single satellite with **LNB Quattro**



▶ Example of cascade distribution with **two Wide Band LNBs** for two satellites

