






# MSW5/10

5 cable Wide Band splitter

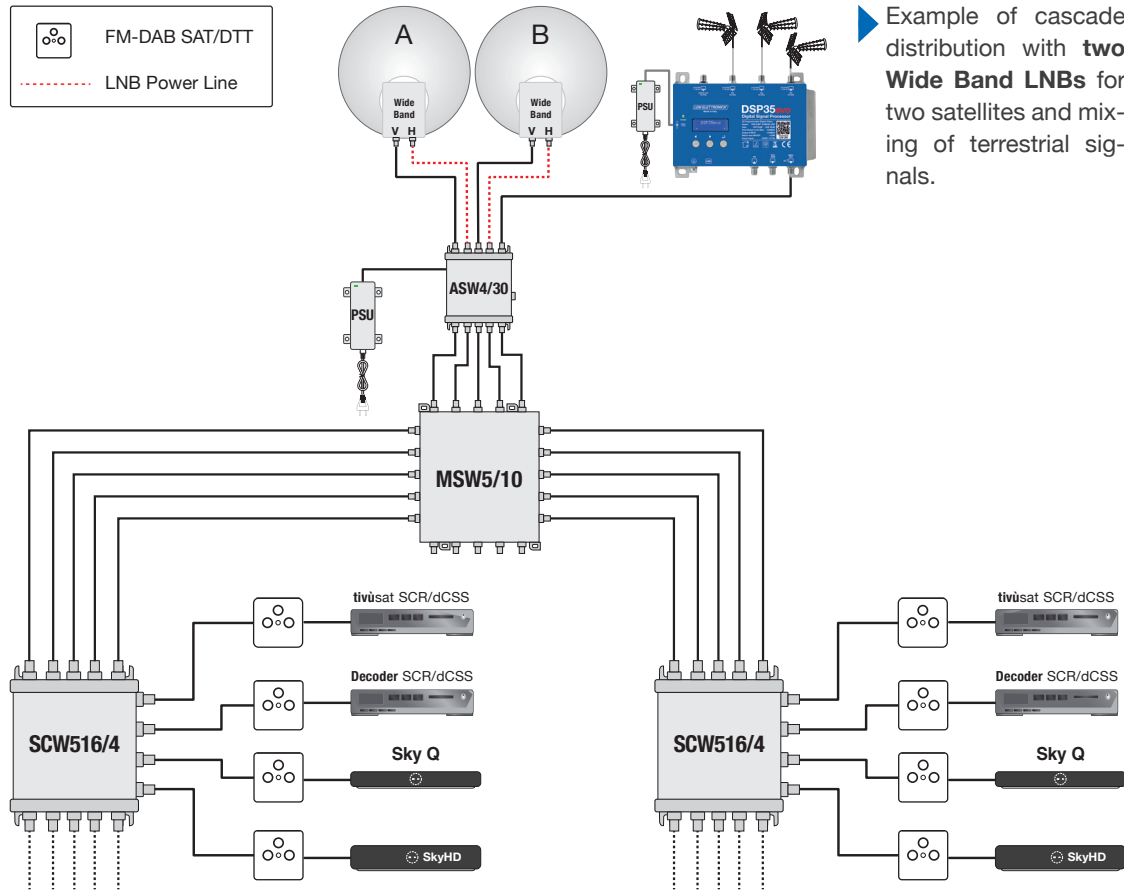
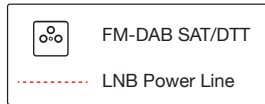
-  4 Wide Band lines from 250 to 2400 MHz
-  1 Terrestrial line 5 ...790MHz
-  Low loss of passage
-  High isolation between inputs
-  Current passing from all inputs



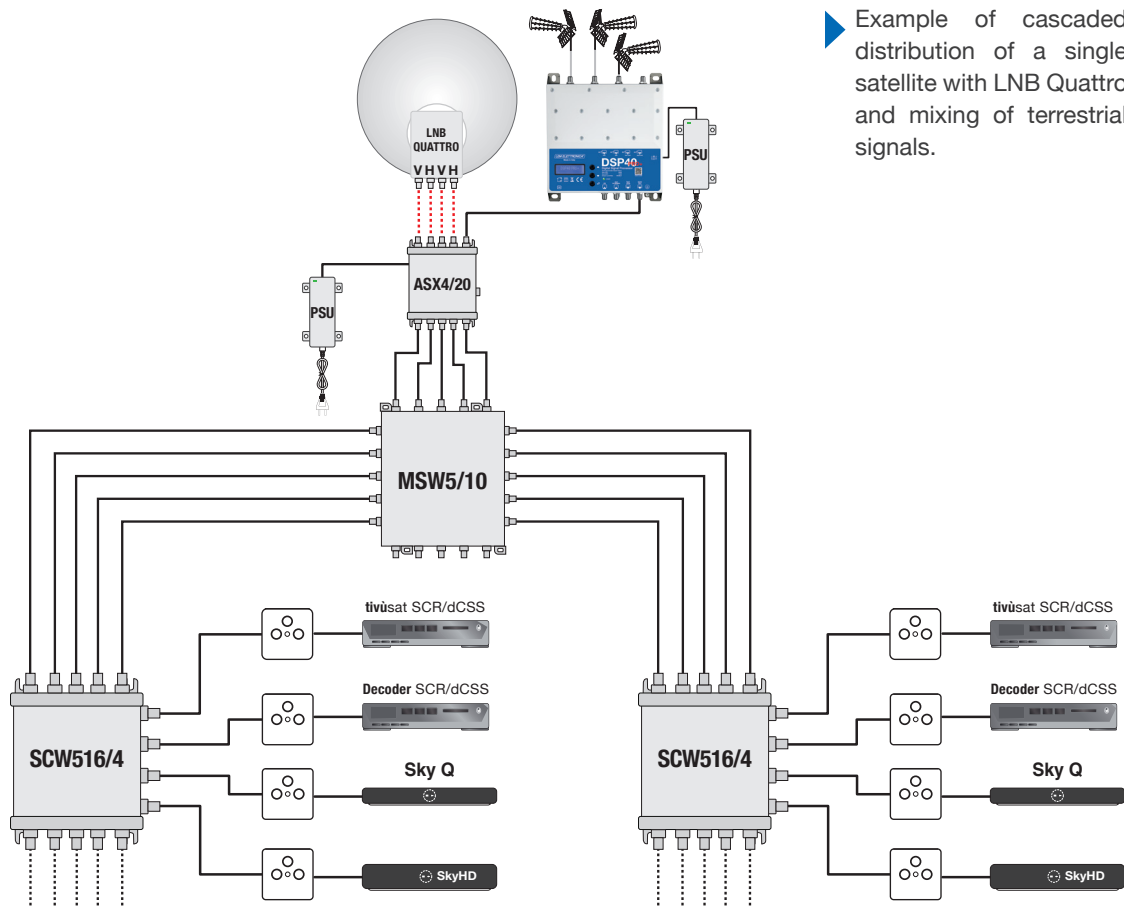
WARRANTY **5** YEARS

MODEL		MSW5/10
TYPE		2-Way
INPUTS		5
OUTPUTS		5+5
SATELLITE 290... 2400MHz LOSS	dB	≤ 5
TV TERR. 40... 790 MHz LOSS	dB	≤ 5
RETURN LOSS	dB	> 20
MAX. CURRENT PASS THROUGH	mA	1000
DIMENSIONS	mm	139x114x31

# Connection Diagram



▶ Example of cascade distribution with **two Wide Band LNBS** for two satellites and mixing of terrestrial signals.



▶ Example of cascaded distribution of a single satellite with LNB Quattro and mixing of terrestrial signals.

