




# SD2

## Programmable Smart Splitter

-  **Smart function**
-  **Integrated dCSS current injector**
-  **Programmable outputs for U.B. filtering**



In cases where two or more decoders share the same SCR/dCSS output, Smart Splitters fulfil two important functions: **they avoid 'collision' of the commands sent by storing them and then sending them in the correct sequence, and they eliminate criticalities due to the different voltages supplied by the decoders.**

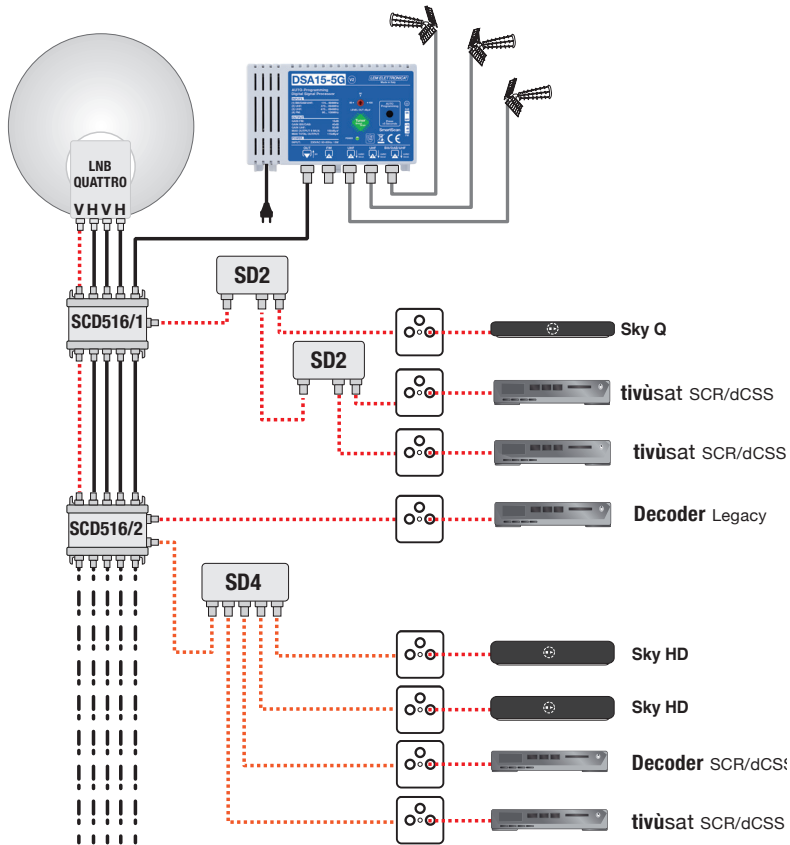
The **SD2** Smart Splitter has output ports that can be programmed via the **PSCD-01** programmer allowing 'filtering' of the user bands assigned to each connected user.

WARRANTY **5** YEARS

MODEL		SD2
TYPE		2 Way
INPUT / OUTPUTS FREQ. RANGE	MHz	5... 2400
LOSS	dB	4
RETURN LOSS	dB	> 10
MAX. CONSUMPTION	mA	25
DIMENSIONS	mm	59 x 45 x 31

# Connection Diagram

▶ If several SCR/dCSS decoders are connected to the same derived output, the use of the SD2 Smart Splitter is recommended.



	2-Way Smart Splitter
	4-Way Smart Splitter
	SAT/DVB-T/FM-DAB Radio
	LNB Power Line

