



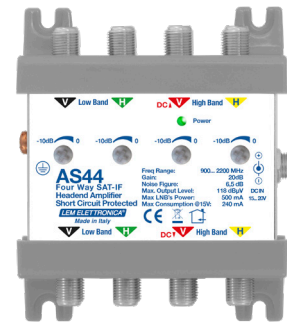


AS44

IF-SAT 4-way headend line amplifier Max. gain 20dB

-  **Standard IF-SAT 950... 2150 MHz amplifiers**
-  **Noise figure $\leq 5\text{dB}$**
-  **Gain adjustable for each line**
-  **Can be powered or feed another AS44 via the vertical high-band line**



The AS44 is a 4-line amplifier that can be used as a head or line amplifier.

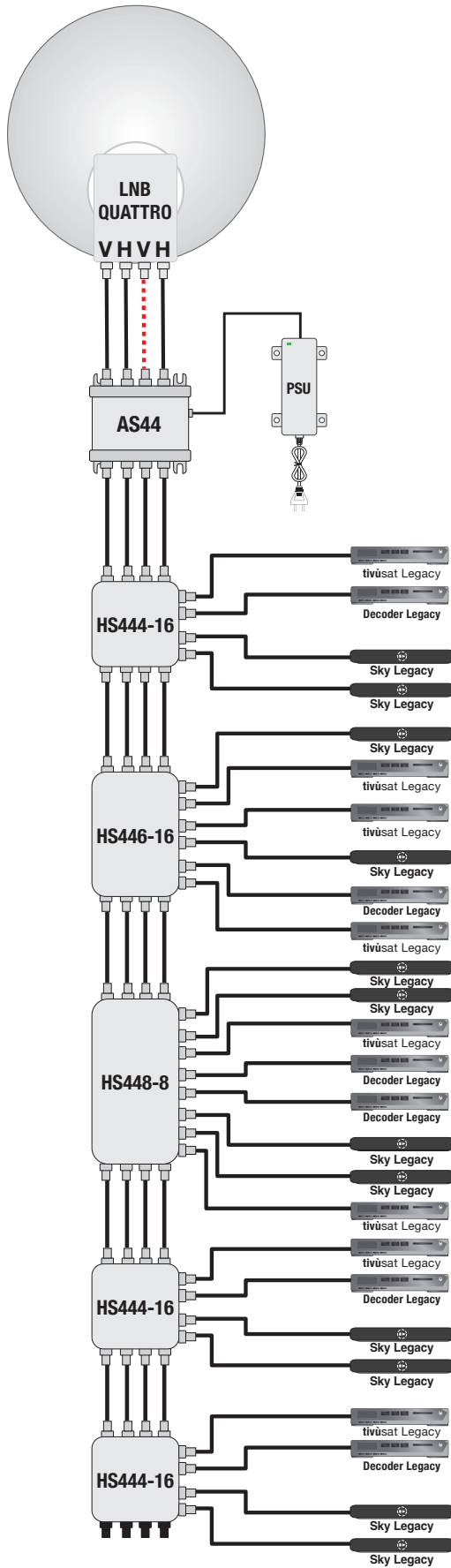
Connected to the 15V power supply, it provides voltage on the vertical high-band line (on both the input and output connectors).

This feature allows other equipment to be supplied both upstream and downstream of the amplifier.

5 YEARS WARRANTY

MODEL		AS44
INPUTS / OUTPUTS		4 / 4
FEEDABLE FROM VH LINE		YES
FREQUENCY RANGE	MHz	950... 2150
GAIN @950 MHz	dB	17
GAIN @2150 MHz	dB	20
GAIN ADJUSTERS	dB	4x (0... -10)
MAXIMUM OUTPUT LEVEL	dBμV	118 (EN50083-3 35dB IMA2)
NOISE FIGURE	dB	$\leq 6,5$
INPUTS ISOLATION	dB	> 35
OUTPUTS ISOLATION	dB	> 35
RETURN LOSS	dB	> 12
MAXIMUM CURRENT FOR LNB POWERING	mA	500
AMPLIFIER MAX. CONSUMPTION	mA	240
OPERATING TEMPERATURE RANGE	°C	-10... +50
DIMENSIONS	mm	95 x 79 x 34

Connection Diagram



▶ **NOTE:** The AS44 amplifier can be used as a headend amplifier by connecting the AL15 power supply to the LNB via the vertical high-band line.

It can also be used as a line amplifier powered via the vertical high band line.

----- LNB Power Line

