




SCW516/2

-  **Selectable Quattro/WideBand inputs mode**
-  **dCSS Technology Multiswitch**
-  **COMPLIES WITH EN 50607 / EN 50494**

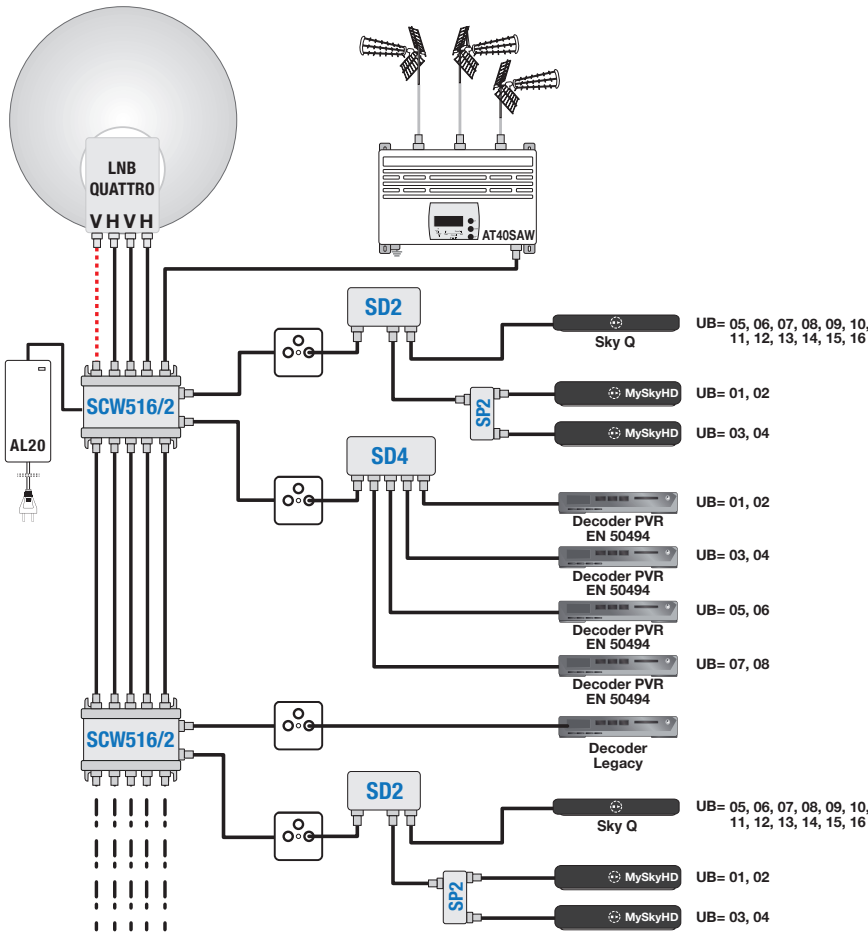
- ▶ SCR/Legacy Automatic selection
- ▶ One single cable for up to 16 SCR UB's
- ▶ IF-SAT with Automatic Control Gain
- ▶ Diagnostic/Status Led
- ▶ Low Loss Terrestrial passive tap
- ▶ DC plug for LNB powering



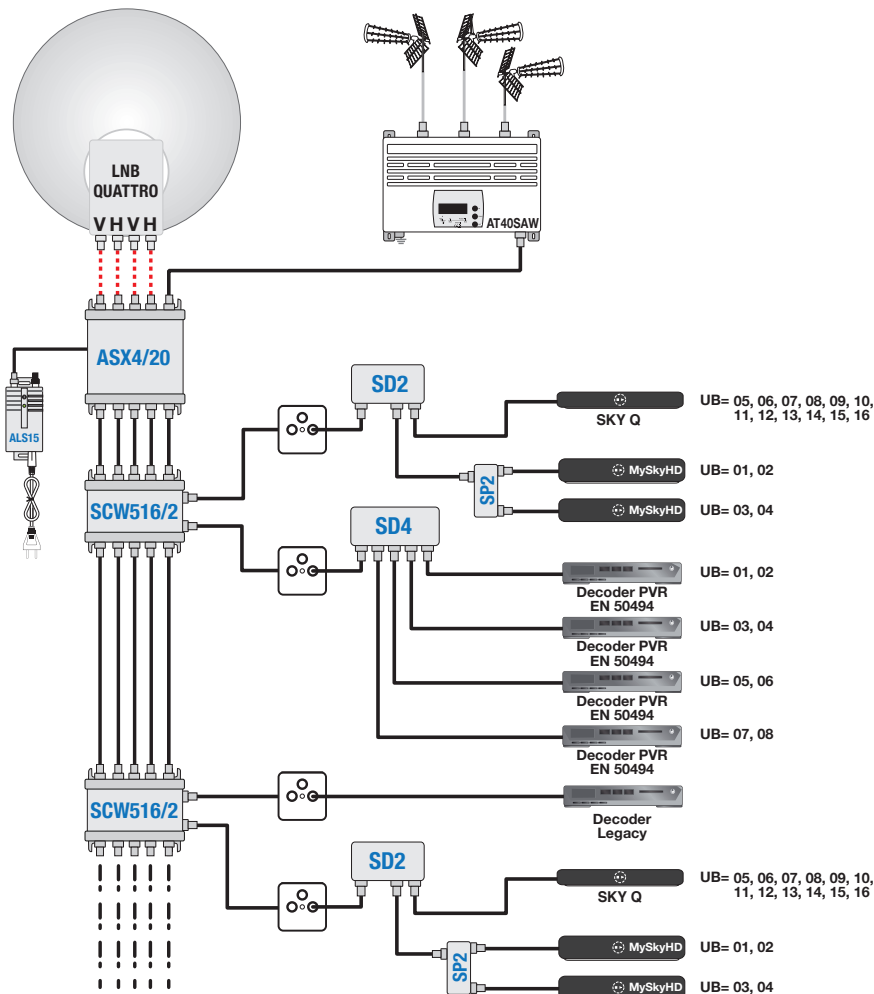
Ready for UHDTV



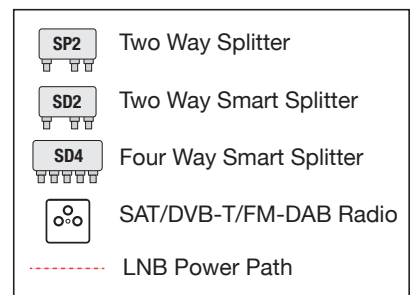
5 CABLES 2 TAPS		SCW516/2		SCW516/2-20	
TYPE		CASCADABLE		CASCADABLE	
IF-SAT FREQUENCY RANGE	MHz	Selectable 950... 2200 / 250... 2400			
TV TERR. FREQUENCY RANGE	MHz	5... 790			
N° INPUTS / OUTPUTS		5 / 5			
N° TAP		2			
IF-SAT INPUT RANGE	dBµV	60... 100			
IF-SAT A.C.G. RANGE	dBµV	60... 90			
LEGACY TAP OUTPUT LEVELS	dBµV	85			
dCSS-SCR TAP OUTPUT LEVELS	dBµV	86/90/94			
THROUGH LOSS IF-SAT	dB	≤ 1		≤ 1	
THROUGH LOSS TV TERR.	dB	≤ 1		≤ 1	
TAP LOSS TV TERR.	dB	- 15		- 20	
RETURN CHANNEL TAP LOSS (5... 65 MHz)	dB	- 15		- 20	
SEPARATION IF-SAT / TV TERR.	dB	≥ 50			
SCR USER BAND Vs FREQUENCY ALLOCATIONS	MHz	COMPLIES WITH EN 50494		COMPLIES WITH EN 50607	
		UB1=	1210	UB1=	1210
		UB2=	1420	UB2=	1420
		UB3=	1680	UB3=	1680
		UB4=	2040	UB4=	2040
		UB5=	985	UB5=	985
		UB6=	1050	UB6=	1050
		UB7=	1115	UB7=	1115
		UB8=	1275	UB8=	1275
				UB9=	1340
				UB10=	1485
				UB11=	1550
				UB12=	1615
				UB13=	1745
				UB14=	1810
				UB15=	1875
				UB16=	1940
CROSS-POL. ISOLATION	dB	> 30		> 30	
INPUTS - OUTPUTS ISOLATION	dB	> 30		> 30	
PHASE NOISE	dBc/Hz	-90 @ DELTA F=1KHz			
RETURN LOSS	dB	> 12			
MAXIMUM CURRENT DRAIN @ 13V (16 SLOTS)	mA	310			
MAXIMUM LNB POWER	mA	500			
DIMENSIONS	mm	104x118x38			






In small distributions with the **SCW516** multiswitches, it is not mandatory to use a head amplifier when the input level is higher than 60dBμV. The LNB is powered by the **AL20** power supplier which can be connected to any **SCW516** in the distribution. To avoid collisions and have a better compatibility within decoders on the same **SCW516** tap you can use the **SD2** and **SD4** smart splitters.



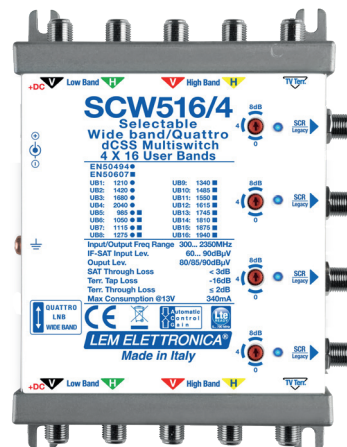
Distribution with a **SCW516/2** and a **ASX4/20** head amplifier, which amplifies and equalizes the IF-SAT backbone signals and powers the LNB. To avoid collisions and have a better compatibility within decoders on the same **SCW516** tap you can use the **SD2** and **SD4** smart splitters.



SCW516/4

-  **Selectable Quattro/WideBand inputs mode**
-  **dCSS Technology Multiswitch**
-  **COMPLIES WITH EN 50607 / EN 50494**

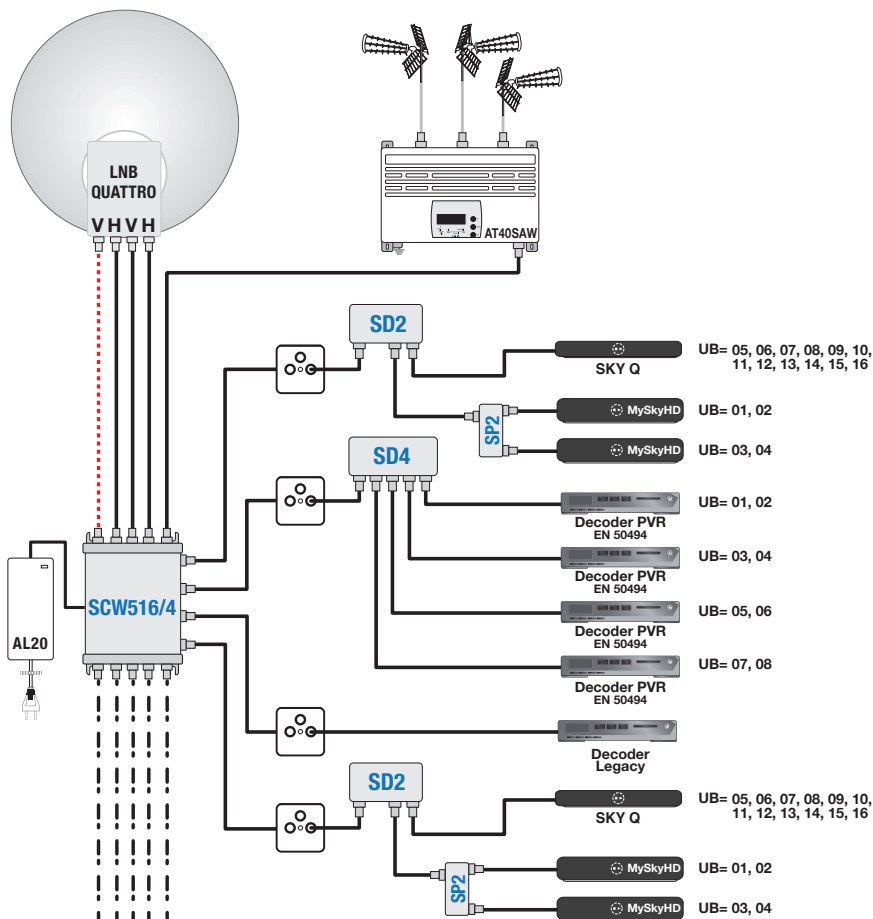
- ▶ SCR/Legacy Automatic selection
- ▶ One single cable for up to 16 SCR UB's
- ▶ IF-SAT with Automatic Control Gain
- ▶ 3 step selectable SCR output level
- ▶ Diagnostic/Status Led
- ▶ Low Loss Terrestrial passive tap
- ▶ DC plug for LNB powering



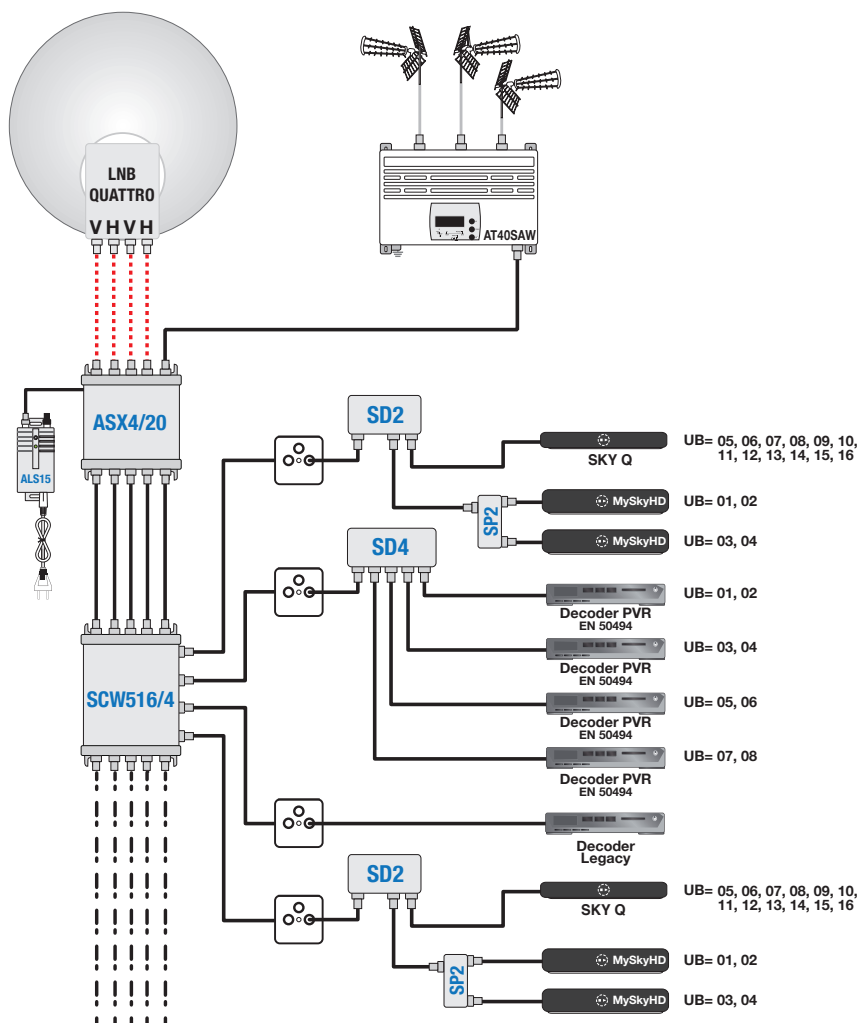
Ready for UHDTV



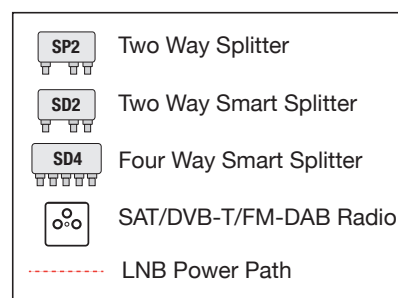
5 CABLES 4 TAPS		SCW516/4		SCW516/4-20	
TYPE		CASCADABLE		CASCADABLE	
IF-SAT FREQUENCY RANGE	MHz	Selezionabile 950... 2200 / 250... 2400			
TV TERR. FREQUENCY RANGE	MHz	5... 790			
N° INPUTS / OUTPUTS		5 / 5			
N° TAP		4			
IF-SAT INPUT RANGE	dBµV	60... 100			
IF-SAT A.C.G. RANGE	dBµV	60... 90			
LEGACY TAP OUTPUT LEVELS	dBµV	85			
dCSS-SCR TAP OUTPUT LEVELS	dBµV	86/90/94			
THROUGH LOSS IF-SAT	dB	≤ 2		≤ 2	
THROUGH LOSS TV TERR.	dB	≤ 2		≤ 2	
TAP LOSS TV TERR.	dB	- 16		- 20	
RETURN CHANNEL TAP LOSS (5... 65 MHz)	dB	- 16		- 20	
SEPARATION IF-SAT / TV TERR.	dB	≥ 50			
SCR USER BAND vs FREQUENCY ALLOCATIONS	MHz	COMPLIES WITH EN 50494		COMPLIES WITH EN 50607	
		UB1=	1210	UB1=	1210
		UB2=	1420	UB2=	1420
		UB3=	1680	UB3=	1680
		UB4=	2040	UB4=	2040
		UB5=	985	UB5=	985
		UB6=	1050	UB6=	1050
		UB7=	1115	UB7=	1115
		UB8=	1275	UB8=	1275
				UB9=	1340
				UB10=	1485
				UB11=	1550
				UB12=	1615
				UB13=	1745
				UB14=	1810
				UB15=	1875
				UB16=	1940
CROSS-POL. ISOLATION	dB	> 30		> 30	
INPUTS - OUTPUTS ISOLATION	dB	> 30		> 30	
PHASE NOISE	dBc/Hz	-90 @ DELTA F=1KHz			
RETURN LOSS	dB	> 12			
MAXIMUM CURRENT DRAIN @ 13V (16 SLOTS)	mA	310			
MAXIMUM LNB POWER	mA	500			
DIMENSIONS	mm	163x118x38			






In small distributions with the **SCW516** multiswitches, it is not mandatory to use a head amplifier when the input level is higher than 60dB μ V. The LNB is powered by the **AL20** power supplier which can be connected to any **SCW516** in the distribution. To avoid collisions and have a better compatibility within decoders on the same **SCW516** tap you can use the **SD2** and **SD4** smart splitters.



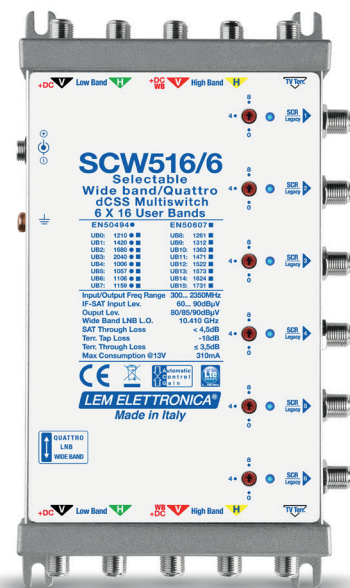
Distribution with a **SCW516/4** and a **ASX4/20** head amplifier, which amplifies and equalizes the IF-SAT backbone signals and powers the LNB. To avoid collisions and have a better compatibility within decoders on the same **SCW516** tap you can use the **SD2** and **SD4** smart splitters.



SCW516/6

-  **Selectable Quattro/WideBand inputs mode**
-  **dCSS Technology Multiswitch**
-  **COMPLIES WITH EN 50607 / EN 50494**

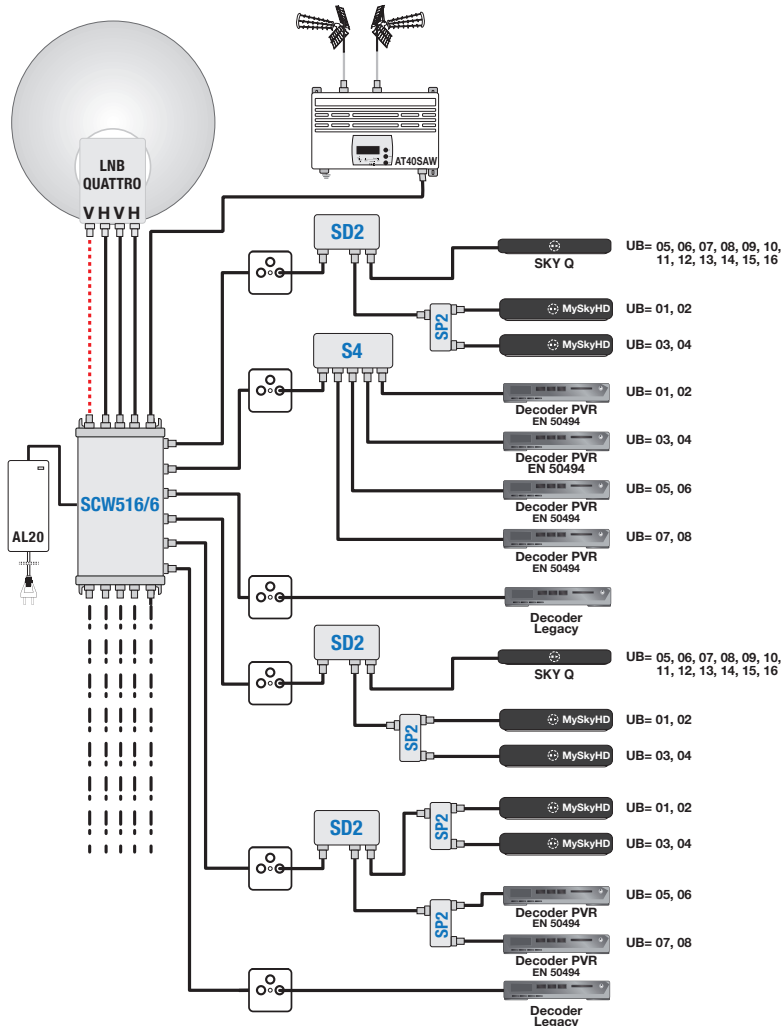
- ▶ SCR/Legacy Automatic selection
- ▶ One single cable for up to 16 SCR UB's
- ▶ IF-SAT with Automatic Control Gain
- ▶ 3 step selectable SCR output level
- ▶ Diagnostic/Status Led
- ▶ Low Loss Terrestrial passive tap
- ▶ DC plug for LNB powering



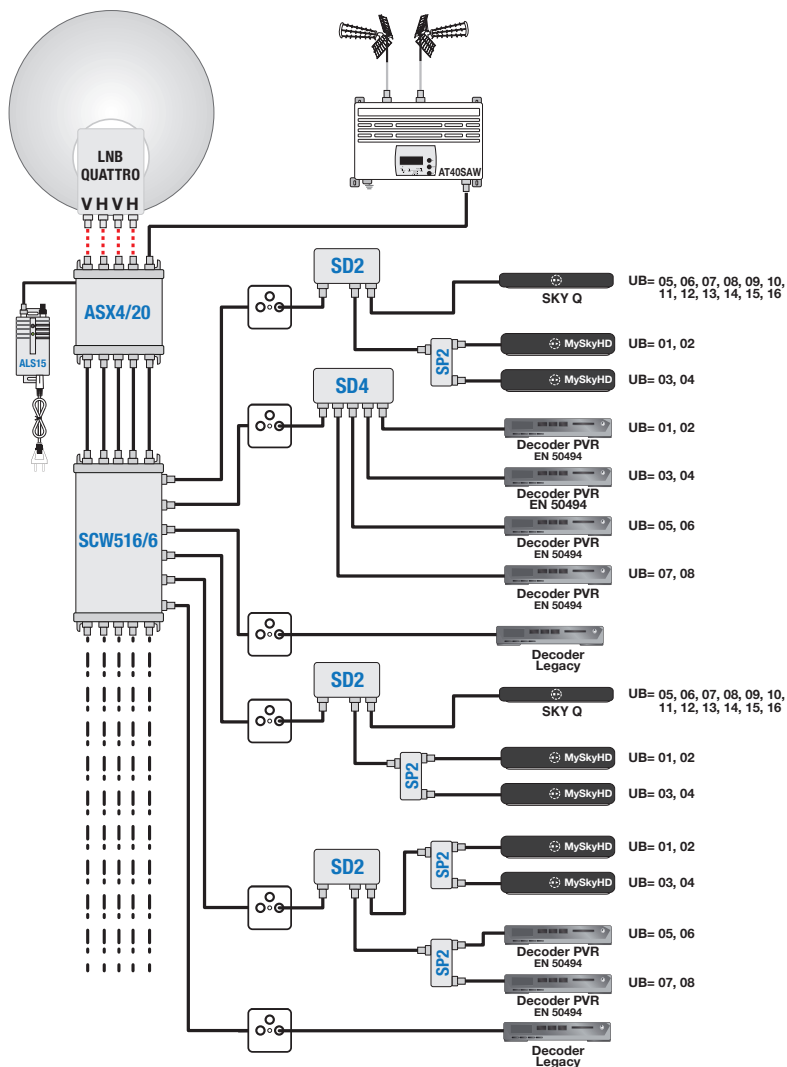
Ready for UHDTV



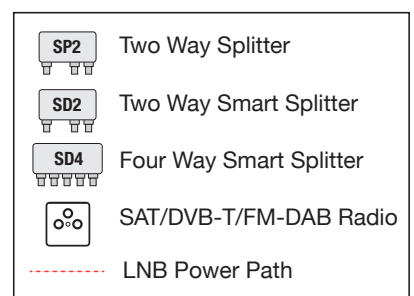
5 CABLES 6 TAPS		SCW516/6		SCW516/6-20	
TYPE		CASCADABLE		CASCADABLE	
IF-SAT FREQUENCY RANGE	MHz	Selectable 950... 2200 / 250... 2400			
TV TERR. FREQUENCY RANGE	MHz	5... 790			
N° INPUTS / OUTPUTS		5 / 5			
N° TAP		6			
IF-SAT INPUT RANGE	dBμV	60... 100			
IF-SAT A.C.G. RANGE	dBμV	60... 90			
LEGACY TAP OUTPUT LEVELS	dBμV	85			
dCSS-SCR TAP OUTPUT LEVELS	dBμV	86/90/94			
THROUGH LOSS IF-SAT	dB	≤ 3		≤ 3	
THROUGH LOSS TV TERR.	dB	≤ 3,5		≤ 3,5	
TAP LOSS TV TERR.	dB	- 18		- 23	
RETURN CHANNEL TAP LOSS (5... 65 MHz)	dB	- 18		- 23	
SEPARATION IF-SAT / TV TERR.	dB	≥ 50			
SCR USER BAND vs FREQUENCY ALLOCATIONS	MHz	COMPLIES WITH EN 50494		COMPLIES WITH EN 50607	
		UB1=	1210	UB1=	1210
		UB2=	1420	UB2=	1420
		UB3=	1680	UB3=	1680
		UB4=	2040	UB4=	2040
		UB5=	985	UB5=	985
		UB6=	1050	UB6=	1050
		UB7=	1115	UB7=	1115
		UB8=	1275	UB8=	1275
				UB9=	1340
				UB10=	1485
				UB11=	1550
				UB12=	1615
				UB13=	1745
				UB14=	1810
				UB15=	1875
				UB16=	1940
CROSS-POL. ISOLATION	dB	> 30		> 30	
INPUTS - OUTPUTS ISOLATION	dB	> 30		> 30	
PHASE NOISE	dBc/Hz	-90 @ DELTA F=1KHz			
RETURN LOSS	dB	> 12			
MAXIMUM CURRENT DRAIN @ 13V (16 SLOTS)	mA	310			
MAXIMUM LNB POWER	mA	500			
DIMENSIONS	mm	223x118x38			



In small distributions with the **SCW516** multiswitches, it is not mandatory to use a head amplifier when the input level is higher than 60dB μ V. The LNB is powered by the **AL20** power supply which can be connected to any **SCW516** in the distribution. To avoid collisions and have a better compatibility within decoders on the same **SCW516** tap you can use the **SD2** and **SD4** smart splitters.



Distribution with a **SCW516/6** and a **ASX4/20** head amplifier, which amplifies and equalizes the IF-SAT backbone signals and powers the LNB. To avoid collisions and have a better compatibility within decoders on the same **SCW516** tap you can use the **SD2** and **SD4** smart splitters.



SCW516/8

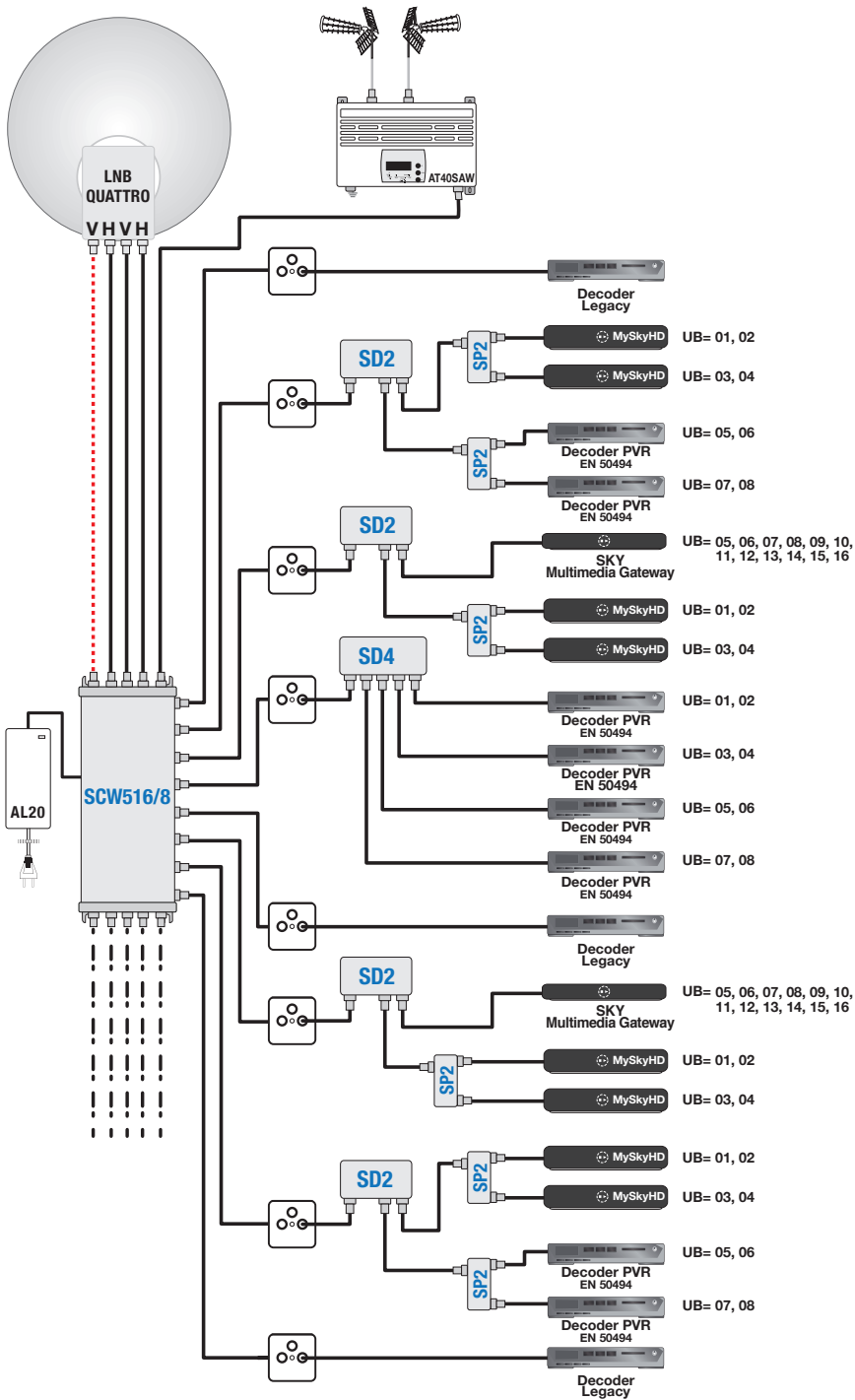
- ✓ **Selectable Quattro/WideBand inputs mode**
- ✓ **dCSS Technology Multiswitch**
- ✓ **COMPLIES WITH EN 50607 / EN 50494**

- ▶ SCR/Legacy Automatic selection
- ▶ One single cable for up to 16 SCR UB's
- ▶ IF-SAT with Automatic Control Gain.
- ▶ 3 step selectable SCR output level
- ▶ Diagnostic/Status Led
- ▶ Low Loss Terrestrial passive tap
- ▶ DC plug for LNB powering

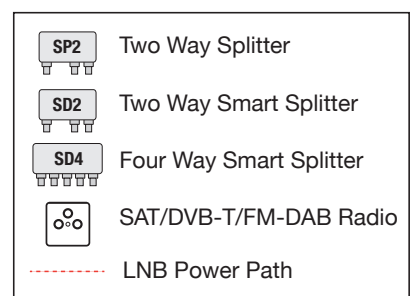


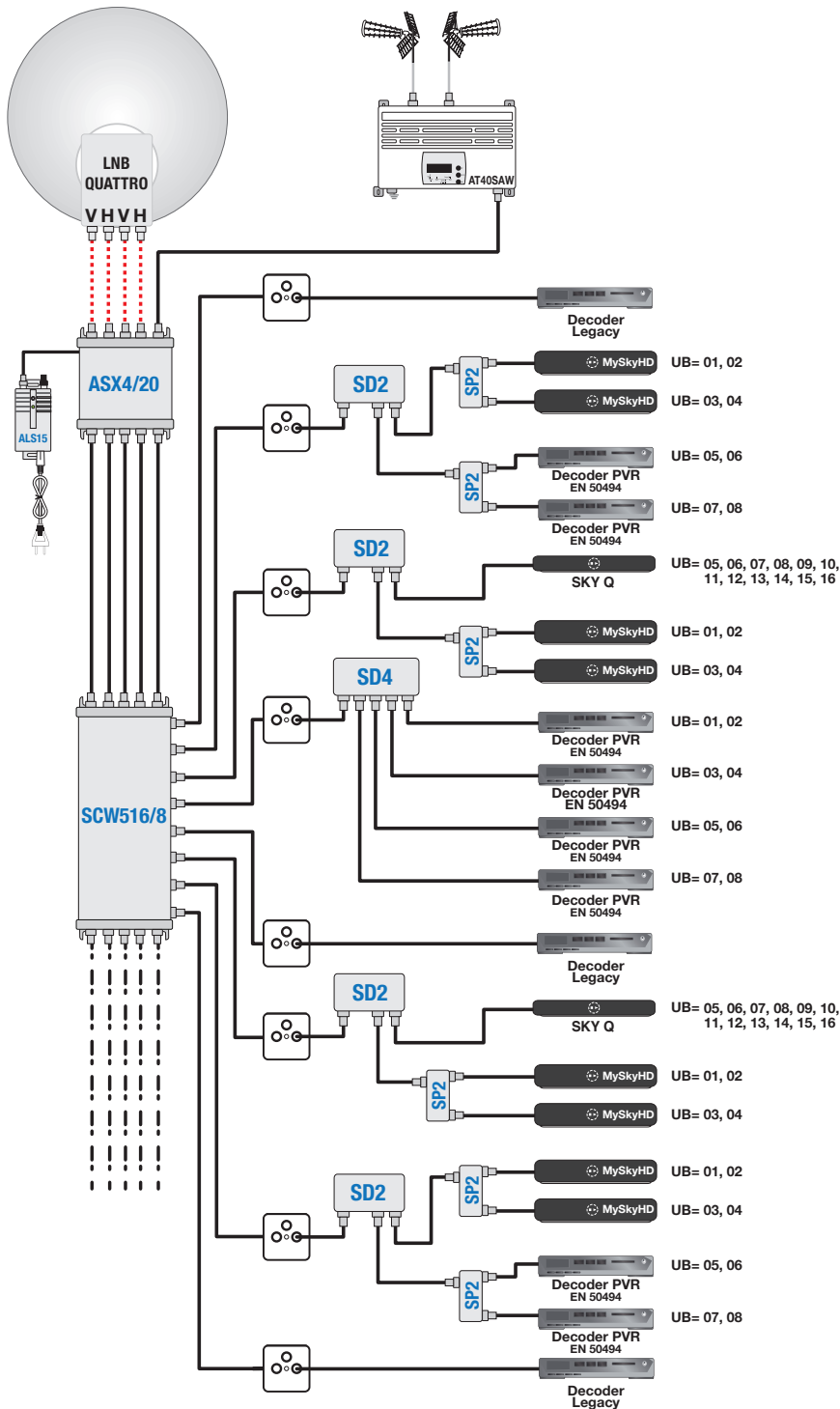
DIGITAL MSW Ready for **UHDTV** **5** YEARS WARRANTY

5 CABLES 8 TAPS		SCW516/8	SCW516/8-20
TYPE		CASCADABLE	CASCADABLE
IF-SAT FREQUENCY RANGE	MHz	Selectable 950... 2200 / 250... 2400	
TV TERR. FREQUENCY RANGE	MHz	5... 790	
N° INPUTS / OUTPUTS		5 / 5	
N° TAP		8	
IF-SAT INPUT RANGE	dBµV	60... 100	
IF-SAT A.C.G. RANGE	dBµV	60... 90	
LEGACY TAP OUTPUT LEVELS	dBµV	85	
dCSS-SCR TAP OUTPUT LEVELS	dBµV	86/90/94	
THROUGH LOSS IF-SAT	dB	≤ 4	≤ 4
THROUGH LOSS TV TERR.	dB	≤ 4	≤ 4
TAP LOSS TV TERR.	dB	- 20	- 25
RETURN CHANNEL TAP LOSS (5... 65 MHz)	dB	- 20	- 25
SEPARATION IF-SAT / TV TERR.	dB	≥ 50	
SCR USER BAND Vs FREQUENCY ALLOCATIONS	MHz	COMPLIES WITH EN 50494	COMPLIES WITH EN 50607
		UB1= 1210	UB1= 1210
		UB2= 1420	UB2= 1420
		UB3= 1680	UB3= 1680
		UB4= 2040	UB4= 2040
		UB5= 985	UB5= 985
		UB6= 1050	UB6= 1050
		UB7= 1115	UB7= 1115
		UB8= 1275	UB8= 1275
			UB9= 1340
			UB10= 1485
			UB11= 1550
			UB12= 1615
			UB13= 1745
			UB14= 1810
			UB15= 1875
			UB16= 1940
CROSS-POL. ISOLATION	dB	> 30	> 30
INPUTS - OUTPUTS ISOLATION	dB	> 30	> 30
PHASE NOISE	dBc/Hz	-90 @ DELTA F=1KHz	
RETURN LOSS	dB	> 12	
MAXIMUM CURRENT DRAIN @ 13V (16 SLOTS)	mA	310	
MAXIMUM LNB POWER	mA	500	
DIMENSIONS	mm	281x118x38	

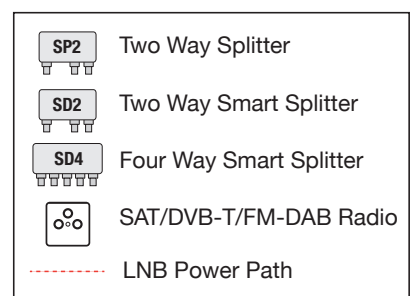


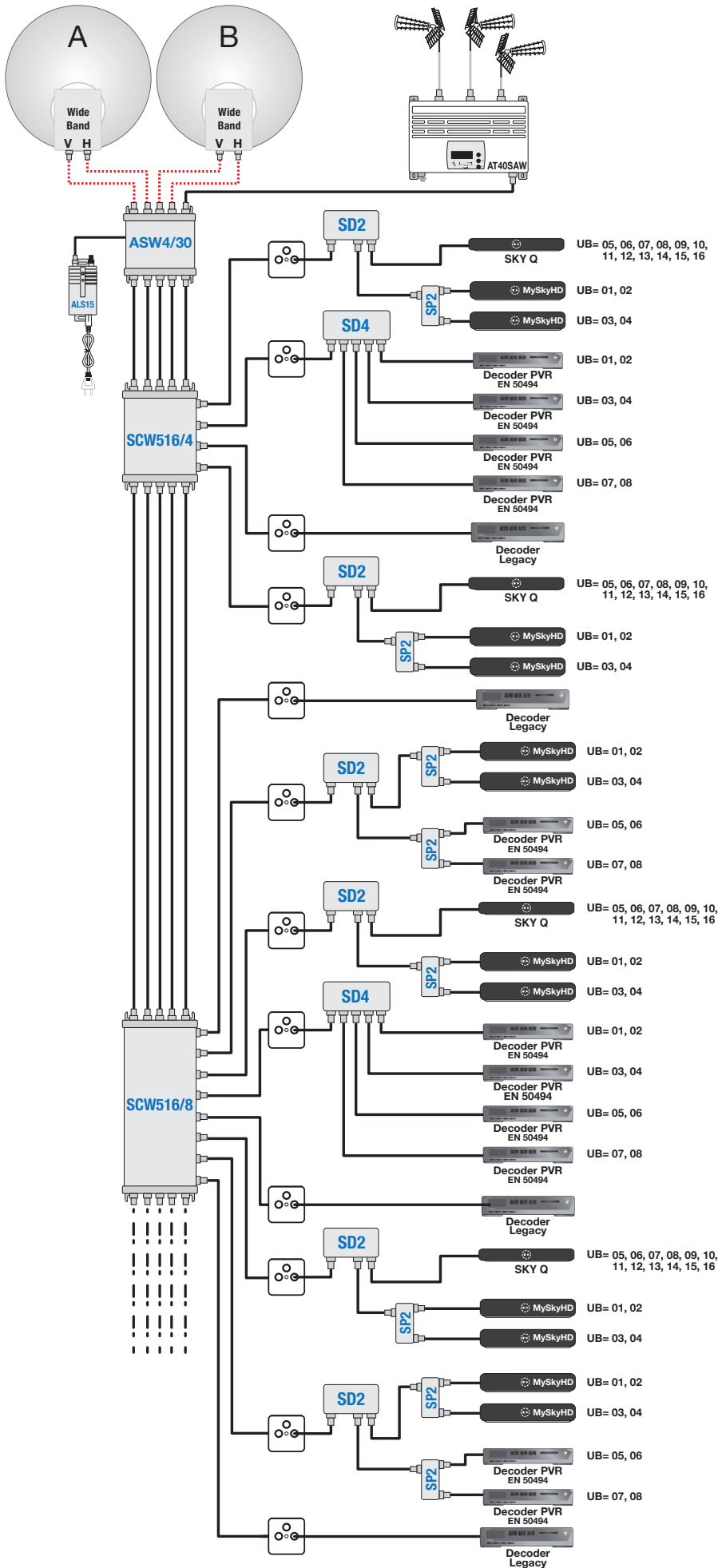
In small distributions with the **SCW516** multiswitches, it is not mandatory to use a head amplifier when the input level is higher than 60dB μ V. The LNB is powered by the **AL20** power supplier which can be connected to any **SCW516** in the distribution. To avoid collisions and have a better compatibility within decoders on the same **SCW516** tap you can use the **SD2** and **SD4** smart splitters.





Distribution with a **SCW516/8** and a **ASX4/20** head amplifier, which amplifies and equalizes the IF-SAT backbone signals and powers the LNB. To avoid collisions and have a better compatibility within decoders on the same **SCW516** tap you can use the **SD2** and **SD4** smart splitters.





Distribution with multiswitches of the **SCW516** series in dual feed mode with two SAT-position. You can select the WIDE BAND mode through the selector on each multiswitch. The head amplifier **ASW/20** amplifies and equalizes the IF-SAT backbone signals (290... 2300 MHz) and powers the LNB. To avoid collisions and have a better compatibility within decoders on the same **SCW516** tap you can use the **SD2** and **SD4** smart splitters.

