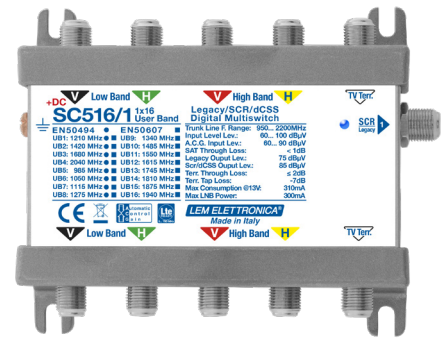


SC516/1

Legacy / dCSS cascadable Multiswitch
5 inputs 1 output

- ✓ **LNB Powering from decoder**
- ✓ **Programmable in Dynamic or Static mode***
- ✓ **Legacy/SCR-dCSS automatic selection**
- ✓ **16 User band for each output**
- ✓ **Diplexed passive terrestrial**
- ✓ **Diagnostic/Status Led**



- 5 inputs cascade multiswitch, 1 output with 16 user band and **automatic switching function** from **Legacy to SCR/dCSS**.
- Low-loss passive mixing of terrestrial signals
- satellite inputs equipped with **automatic gain control CAG**.
- Using the **PSCD-01 programmer** the standard configuration. The default user band frequencies can be set freely modified and adapted to specific user needs.

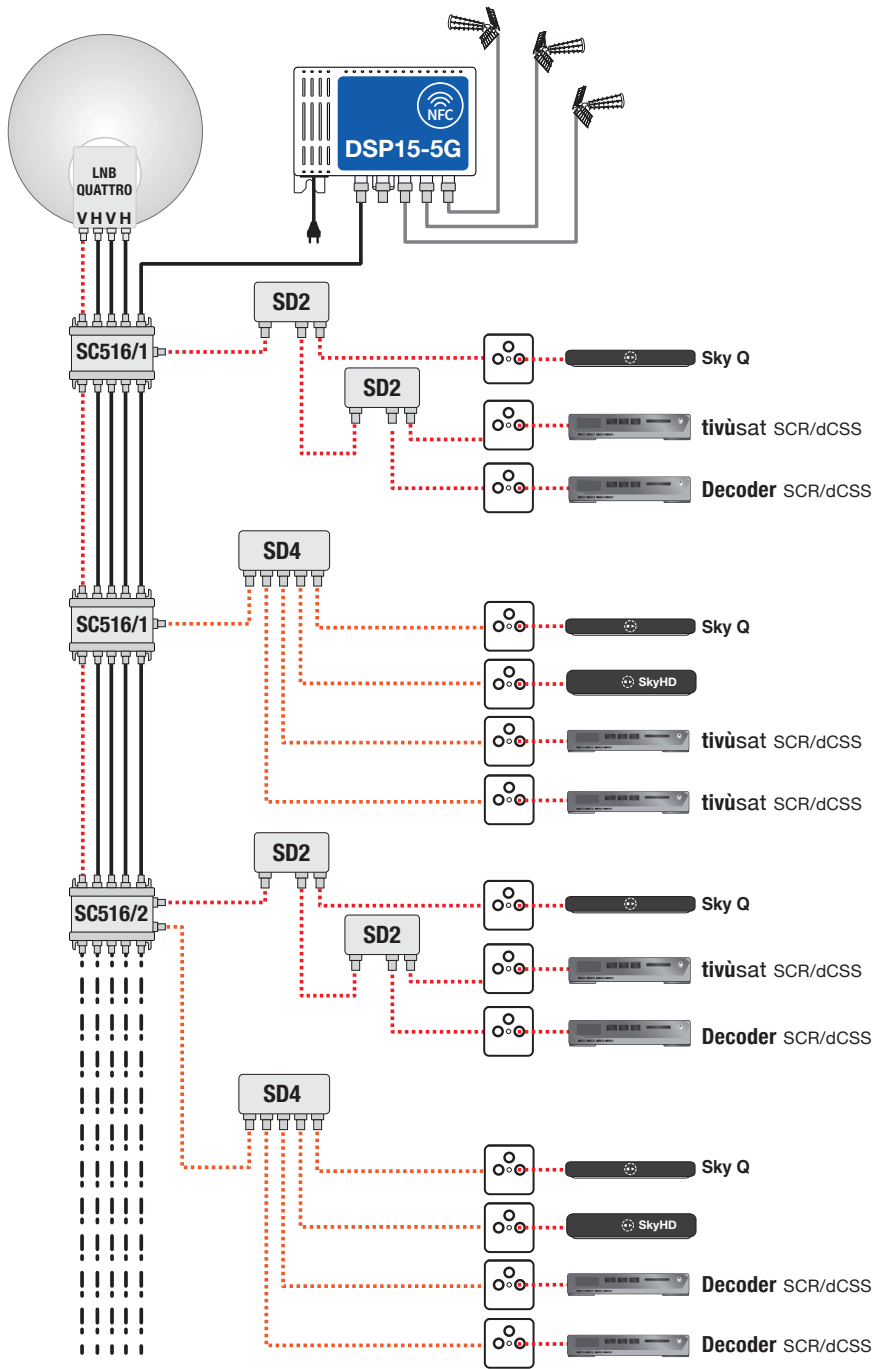
* Programmer PSCD-01 required

Ready for
UHDTV

WARRANTY **5** YEARS

MODEL		SC516/1
TYPE		Cascadable
INPUTS / OUTPUTS TRUNK		5 / 5
OUTPUT/TAPS		1
SATELLITE TRUNK LINES FREQ. RANGE	MHz	950... 2200
SATELLITE TRUNK LOSS	dB	≤ 1
SATELLITE INPUTS POWER LEVEL RANGE	dBμV	60... 100
SATELLITE A.C.G. POWER LEVEL RANGE	dBμV	60... 90
SATELLITE OUTPUT/TAP FREQ. RANGE	MHz	950... 2150
MAX. LEGACY OUTPUT LEVEL	dBμV	75
MAX. SCR-dCSS OUTPUT LEVEL	dBμV	85
TV TERRESTRIAL TRUNK LINE FREQ. RANGE	MHz	5... 790
TV TERRESTRIAL OUTPUT/TAP LOSS	dB	- 7
TV TERRESTRIAL TRUNK LOSS	dB	≤ 2,5
TV TERRESTRIAL RETURN PATH LOSS	dB	- 7
SATELLITE / TV TERRESTRIAL DIPLEXER ISOLATION	dB	≥ 50
SCR/dCSS STANDARDS		Compliant with CENELC EN50494 (SCR) EN50607 (dCSS) SKY UK DSCR
AVAILABLE USER BAND FREQUENCY PLANS		SKY ITALIA - SKY UK - MULTICHOICE - CYFROWY POLSAT
SCR/dCSS USER BANDS		16
LEGACY STANDARDS		13/18V 22KHz Universal Tone & Voltage
DiSEqC SIGNALLING		DiSEqC 1.0 / 2.0 Compliant
CROSSPOLARITY ISOLATION	dB	> 30
TRUNK ISOLATION	dB	> 30
PHASE NOISE	dBc/ Hz	-90 @ DELTA F=1KHz
RETURN LOSS	dB	> 12
MAX. POWER CONSUMPTION @ 13V PER OUTPUT	mA	300
LNB MAX CURRENT @ 20V	mA	300
DIMENSIONS LxHxP	mm	118x92x38

Connection Diagram



► For small systems made with one or more multiswitches of the SC516 series, if the input signal to the multiswitches is higher than **60dBμV** it may not be necessary to use the head amplifier. Power for the Quattro LNB is supplied directly from the decoders.

Note: In the presence of multiple **SCR/dCSS** type decoders connected to the same derived output, the use of Smart Splitters **SD2** and **SD4** is **recommended**.

	2-Way Splitter with diodes
	2-Way Smart Splitter
	4-Way Smart Splitter
	SAT/DVB-T/FM-DAB Radio
	LNB Power Line