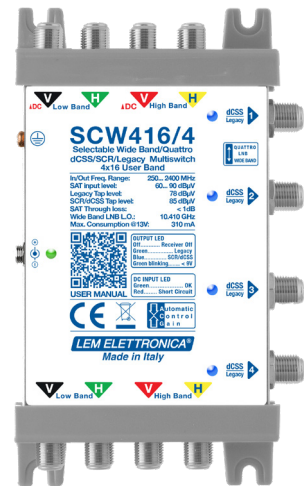


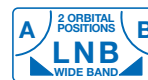
SCW416/4

Legacy/dCSS cascadable Multiswitch
4 inputs 4 outputs

- ✓ **Selectable Quattro/WideBand Mode**
- ✓ **Automatic Legacy-SCR/dCSS switching**
- ✓ **Short circuit protection**
- ✓ **Automatic Legacy-SCR/dCSS switching**
- ✓ **Status LED Legacy/dCSS/Error**

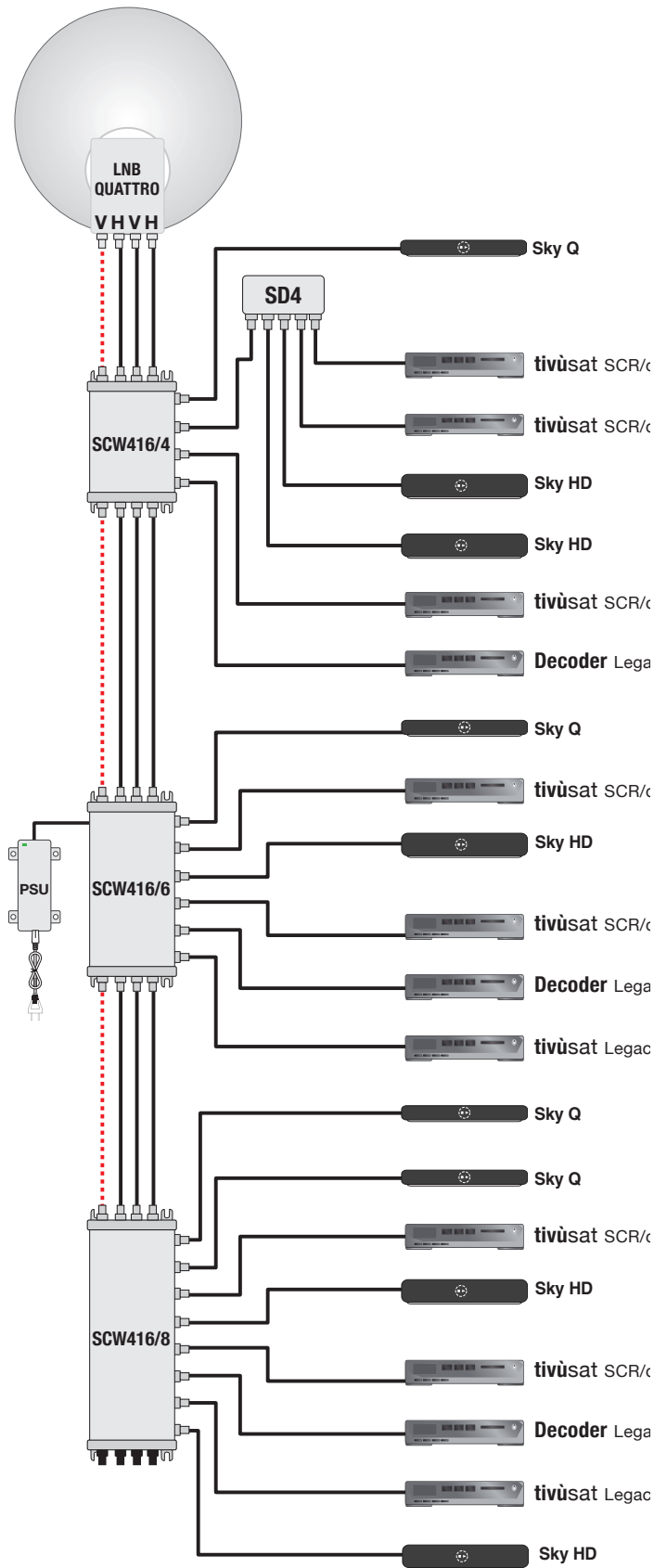


- 4 inputs cascade multiswitch, 4 outputs with 16 user band and automatic switching function from Legacy to SCR/dCSS.
- satellite inputs equipped with automatic gain control CAG.
- Suitable for use in systems with **LNB Quattro** or **LNB Wide Band** to distribute **one full satellite position with only 2 coaxial cables** or **two satellite positions with 4 cables**.
- **Integrated DC power socket** for connection of an external power supply (optional) that can supply power to both the LNB and the multiswitch itself.

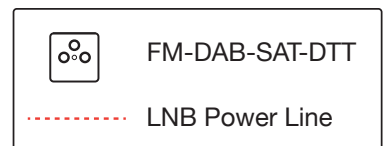


MODEL		SCW416/4
TYPE		Cascadable
INPUTS / OUTPUTS TRUNK		4 / 4
OUTPUT/TAPS		4
SATELLITE TRUNK LINES FREQ. RANGE	MHz	250... 2400
SATELLITE TRUNK LOSS	dB	≤ 2
SATELLITE INPUTS POWER LEVEL RANGE	dBµV	60... 100
SATELLITE A.C.G. POWER LEVEL RANGE	dBµV	60... 90
SATELLITE OUTPUT/TAP FREQ. RANGE	MHz	950... 2150
MAX. LEGACY OUTPUT LEVEL	dBµV	75
MAX. SCR-dCSS OUTPUT LEVEL	dBµV	85
SCR/dCSS STANDARDS		Compliant with CENELC EN50494 (SCR) EN50607 (dCSS) SKY UK DSCR
SCR/dCSS USER BANDS		16
AVAILABLE USER BAND FREQUENCY PLANS		SKY ITALIA - SKY UK - MULTICHOICE - CYFROWY POLSAT
LEGACY STANDARDS		13/18V 22KHz Universal Tone & Voltage
DiSEqC SIGNALLING		DiSEqC 1.0 / 2.0 Compliant
CROSSPOLARITY ISOLATION	dB	> 30
TRUNK ISOLATION	dB	> 30
PHASE NOISE	dBc/Hz	-90 @ DELTA F=1KHz
RETURN LOSS	dB	> 12
MAX. POWER CONSUMPTION @ 13V PER OUTPUT	mA	310
LNB MAX CURRENT @ 20V	mA	500
DIMENSIONS LxHxP	mm	87x147x34

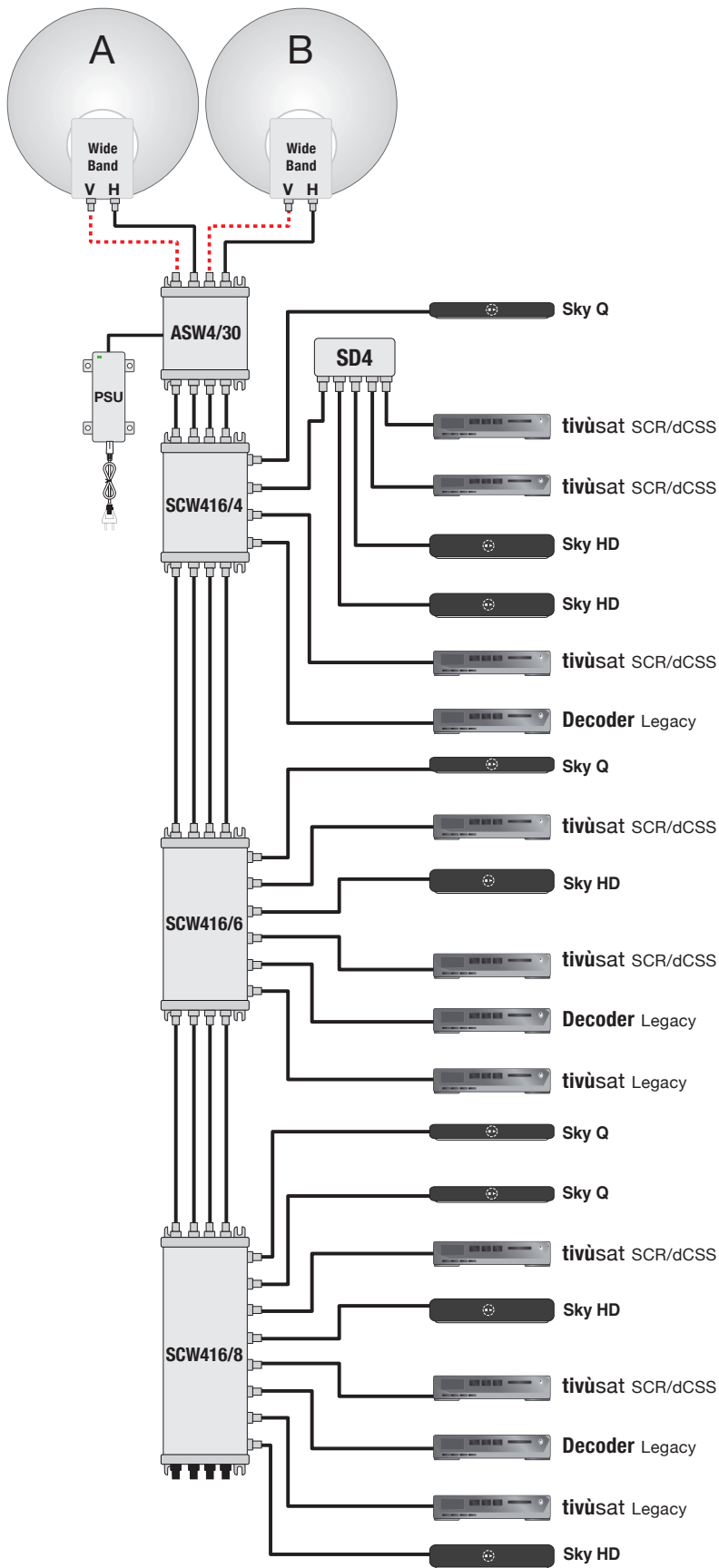
Connection Diagram



▶ Example of cascading a **single satellite** with an **LNB Quattro** powered by a multiswitch connected to an external power supply.



Connection Diagram



▶ Example of cascade distribution using **two Wide Band LNB** for two satellite positions with an **ASW4/30** headend amplifier.

	FM-DAB-SAT-DTT
	LNB Power Line