




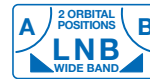
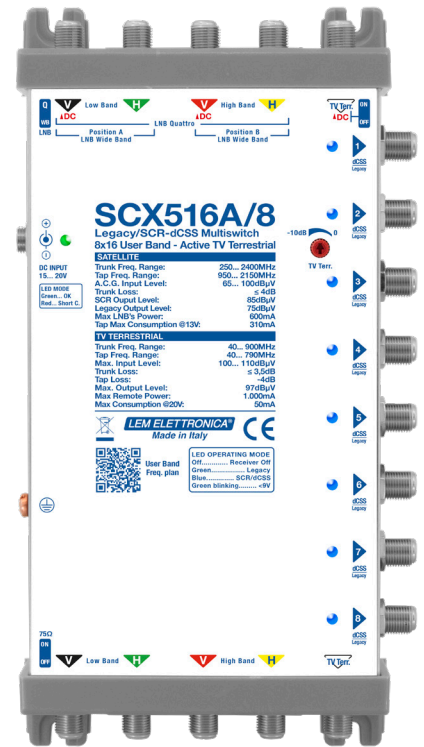


# SCX516A/8

Legacy/dCSS cascadable Multiswitch  
5 inputs 8 outputs

-  **Terrestrial Active with 0-10dB adjuster**
-  **Quattro/Wide band Lnb switch**
-  **Cascade or Stand-alone mode switch**
-  **Legacy/SCR-dCSS automatic selection**
-  **DC input for multiswitch and LNB powering**

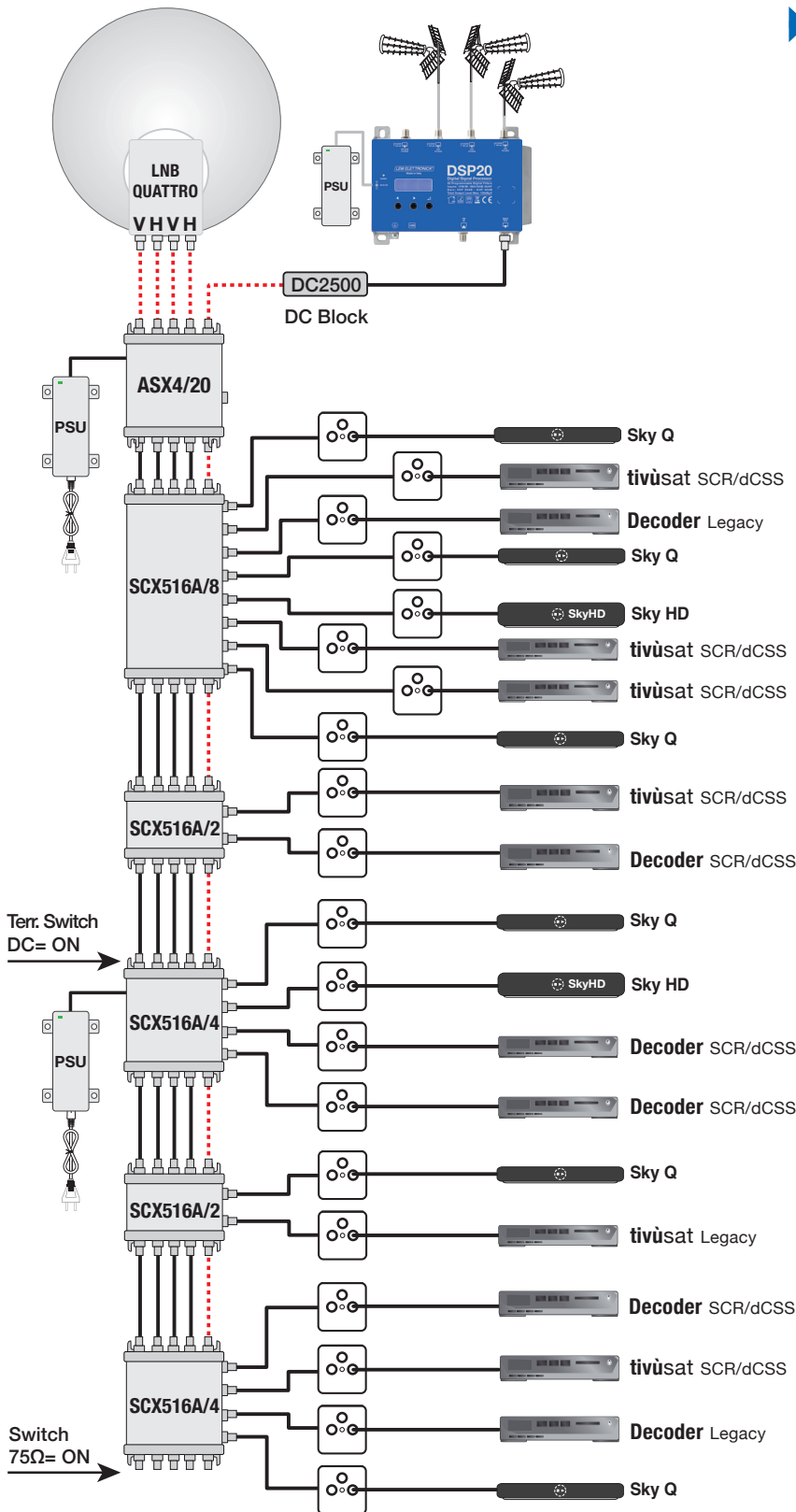
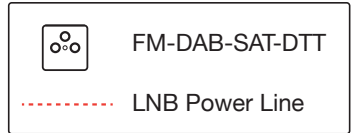
- 5 inputs cascade multiswitch, 8 outputs with 16 user band and automatic switching function from Legacy to SCR/dCSS.
- Active mixing of terrestrial signals with adjustable gain
- satellite inputs equipped with automatic gain control CAG.
- Suitable for use in systems with LNB Quattro or LNB Wide Band to distribute one full satellite position with only 3 coaxial cables or two satellite positions with 5 cables.
- Integrated DC power socket that allows the connection of an external power supply (optional) and enables both the LNB and the multiswitch itself to be powered.



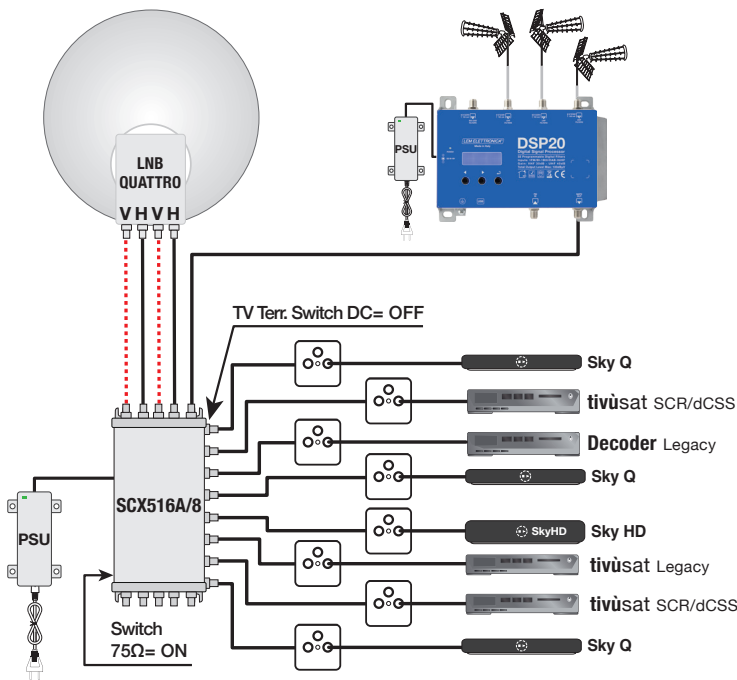
MODEL		SCX516A/8
TYPE		Cascadable / Stand-alone
N° INPUTS / OUTPUTS		5/5
N° TAPS		8
<b>SATELLITE</b>		
TRUNK FREQUENCY RANGE	MHz	250... 2.400
TAPS FREQUENCY RANGE	MHz	950... 2.150
A.C.G. INPUT RANGE	dBµV	65... 100
SCR/dCSS TAP OUTPUT LEVEL	dBµV	85
LEGACY TAP OUTPUT LEVEL	dBµV	78
TRUNK LOSS SATELLITE	dB	≤ 4
SUPPORTED STANDARDS		LEGACY / EN 50494 / EN 50607 / SKY UK (Automatic Selection)
AVAILABLE USER BAND FREQUENCY PLANS		SKY ITALIA - SKY UK - MULTICHOICE - CYFROWY POLSAT
MAXIMUM CURRENT DRAIN @ 13V PER OUTPUT	mA	310
MAXIMUM LNB(S) POWER	mA	600
<b>TV TERRESTRIAL</b>		
TRUNK FREQUENCY RANGE	MHz	40... 900
TAPS FREQUENCY RANGE	MHz	40... 790
TV TERR. INPUT ATTENUATOR RANGE	dB	0... -10
TV TERR. MAX INPUT RANGE	dB	100... 110
TV TERR. TAP LOSS	dB	4
TRUNK LOSS TV TERR.	dB	≤ 3,5
<b>COMMON SPECIFICATIONS</b>		
SEPARATION SATELLITE / TV TERR.	dB	≥ 50
CROSS-POLAR ISOLATION	dB	> 30
INPUTS - OUTPUTS ISOLATION	dB	> 30
RETURN LOSS	dB	> 12
MAXIMUM TOTAL CURRENT DRAIN @20V	mA	1.450
OPERATING TEMPERATURE RANGE	°C	0... 50
DIMENSIONS	mm	224x110x39

# Connection Diagram

▶ Example of cascading a single satellite with **SCX516A series** multiswitches with **amplified mixing of terrestrial signals**.  
 The 75Ohm termination of the feed-through outputs is provided electronically by the multiswitch.

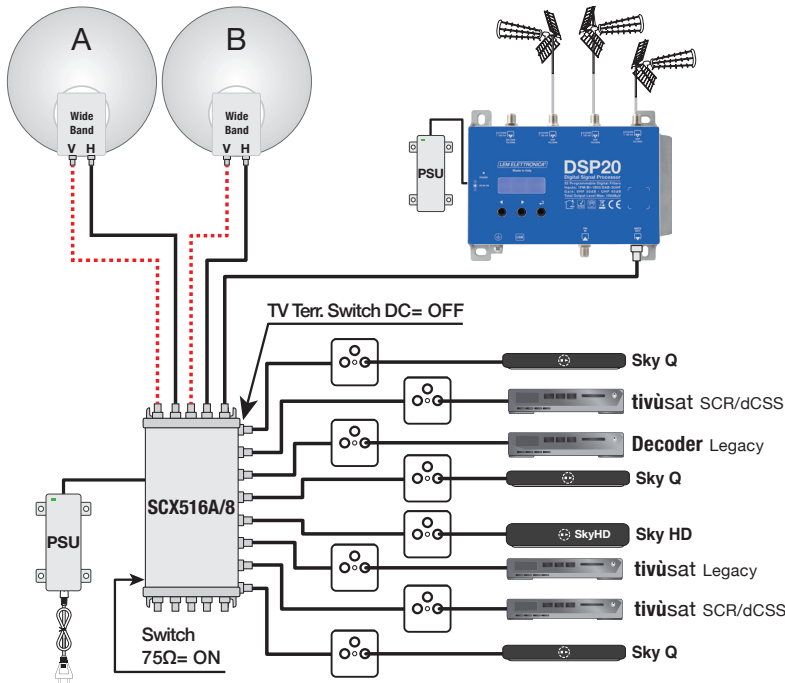
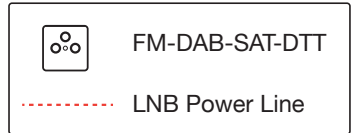


# Connection Diagram



▶ Example of radial distribution using a single SCX516A multiswitch with active mixing of terrestrial signals to receive a single satellite.

The 75ohm termination of the feed-through outputs is provided electronically by the multiswitch.



▶ Example of radial distribution using a single SCX516A multiswitch with active mixing of terrestrial signals to receive two satellites.

The 75ohm termination of the feed-through outputs is provided electronically by the multiswitch.

