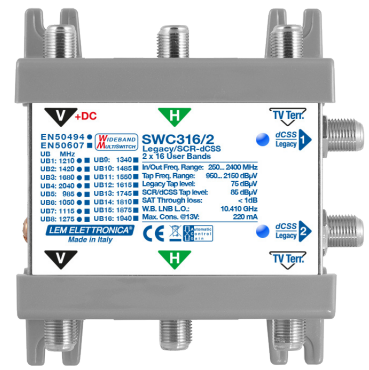


SWC316/2

Legacy/dCSS cascadable Multiswitch
3 inputs 2 outputs

- ✓ **SAT + terrestrial TV distribution with 3 cables**
- ✓ **LNB power supply from decoder**
- ✓ **Max. consumption 220 mA**
- ✓ **Automatic Legacy-SCR/dCSS switching**
- ✓ **Status LED Legacy/dCSS/Error**

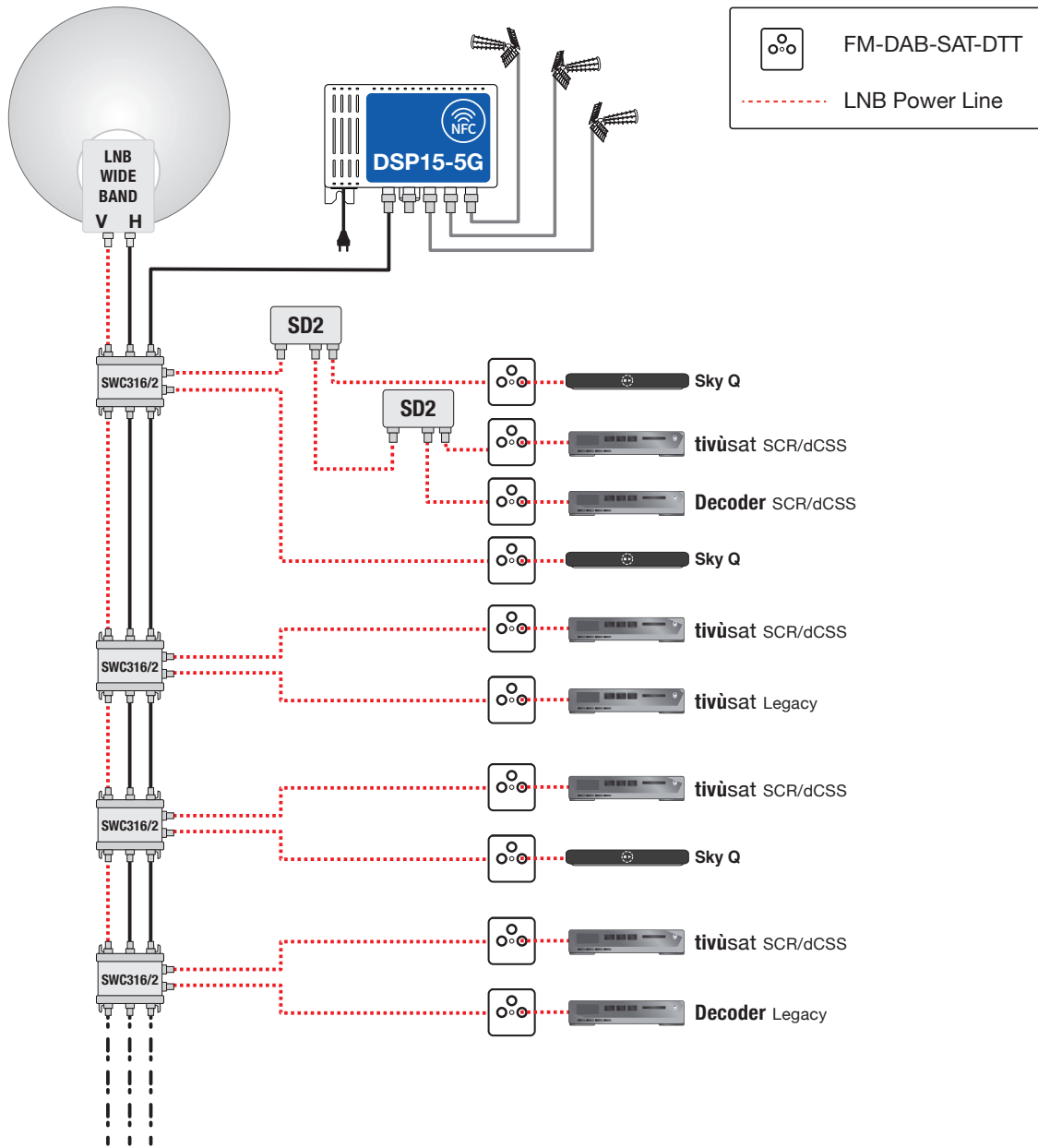


- 3 inputs cascade multiswitch, 2 outputs with 16 user band and **automatic switching function** from Legacy to SCR/dCSS.
- Low-loss passive mixing of terrestrial signals
- satellite inputs equipped with **automatic gain control CAG**.
- Suitable for use in **LNB wide band installations** to distribute a full satellite position with terrestrial mixing using only **3 coaxial cables**.



MODEL		SWC316/2
TYPE		Cascadable
INPUTS / OUTPUTS TRUNK		3 / 3
OUTPUT/TAPS		2
SATELLITE TRUNK LINES FREQ. RANGE	MHz	250... 2400
SATELLITE TRUNK LOSS	dB	≤ 1
SATELLITE INPUTS POWER LEVEL RANGE	dBμV	60... 100
SATELLITE A.C.G. POWER LEVEL RANGE	dBμV	60... 90
SATELLITE OUTPUT/TAP FREQ. RANGE	MHz	950... 2150
MAX. LEGACY OUTPUT LEVEL	dBμV	75
MAX. SCR-dCSS OUTPUT LEVEL	dBμV	85
TV TERRESTRIAL TRUNK LINE FREQ. RANGE	MHz	5... 790
TV TERRESTRIAL OUTPUT/TAP LOSS	dB	- 15
TV TERRESTRIAL TRUNK LOSS	dB	≤ 1
TV TERRESTRIAL RETURN PATH LOSS	dB	- 15
SATELLITE / TV TERRESTRIAL DIPLEXER ISOLATION	dB	≥ 50
SCR/dCSS STANDARDS		Compliant with CENELC EN50494 (SCR) EN50607 (dCSS) SKY UK DSCR
SCR/dCSS USER BANDS		16
AVAILABLE USER BAND FREQUENCY PLANS		SKY ITALIA - SKY UK - MULTICHOICE - CYFROWY POLSAT
LEGACY STANDARDS		13/18V 22KHz Universal Tone & Voltage
DiSEqC SIGNALLING		DiSEqC 1.0 / 2.0 Compliant
CROSSPOLARITY ISOLATION	dB	> 30
TRUNK ISOLATION	dB	> 30
PHASE NOISE	dBc/Hz	-90 @ DELTA F=1KHz
RETURN LOSS	dB	> 12
MAX. POWER CONSUMPTION @ 13V PER OUTPUT	mA	220
LNB MAX CURRENT @ 20V	mA	300
DIMENSIONS LxHxP	mm	97x94x34

Connection Diagram



► For small installations with one or more **SWC316** series multiswitches, if the input signal to the multiswitches is greater than **60dBµV**, it may not be necessary to use the headend amplifier. The LNB wideband power is supplied directly from the decoders.

Note: If multiple SCR/dCSS decoders are connected to the same derived output, the use of **SD2** and **SD4** Smart Splitters is recommended.