

# DM200HD

## ✓ 4K UltraHD HDMI 2.0 Loop through

4K resolution is a new video quality standard for streaming, set-top-box, and more. The DM200HD modulator is able to ensure the passage of HDMI signals without compromising in any way the image quality in 4K.

## ✓ Self test function

DM200HD integrates a DVB-T / C tuner which automatically performs a conformity test of the parameters set during start-up and programming operations.

## ✓ Low consumption

In normal operation, the DM200HD modulator has a maximum power consumption of 4.8 watts which is reduced to 3.5 Watt in absence of HDMI source.

## ✓ Play video from USB Pendrive

As alternative of the standard HDMI source can be played a video from a USB Pendrive.



WARRANTY **5** YEARS

Ready for  
**UHDTV**

**MADE IN  
ITALY**

### VIDEO INPUT

VIDEO ENCODING	H.264 MPEG	
VIDEO INTERFACE	HDMI 2.2	
VIDEO RESOLUTION MODES	576p - 720p - 1080p	
VIDEO BIT RATE	Mbp/s	5-28
AUDIO COMPRESSION MODE	MPEG AC3 DTS AAC	

### RF OUTPUT

FREQUENCY RANGE	MHz	170... 230 / 470... 862
MER	dB	>36
RF OUTPUT LEVEL	dBμV	70... 100
RF LOOP PASS THROUGH	5... 2.200 MHz Loss ≤ 2	

### DVB-T

CONSTELLATION - FEC	QPSK - 16QAM - 64QAM - 1/2 - 2/3 - 3/4 - 5/6 - 7/8	
GUARD INTERVALL	1/4 - 1/8 - 1/16 - 1/32	
MODULATION CARRIERS	2K/8K	
SELECTABLE BANDWIDTH	MHz	6 / 7 / 8

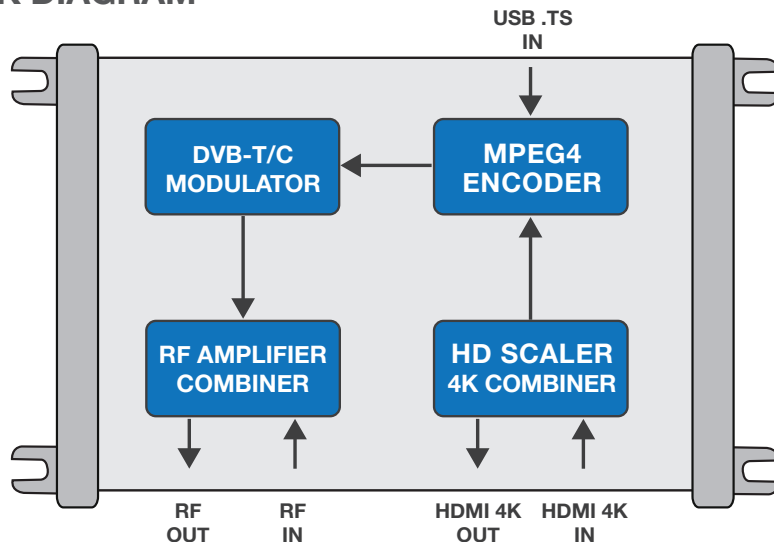
### DVB-C

CONSTELLATION	16QAM - 32QAM - 64QAM - 128QAM - 256QAM	
---------------	---	--

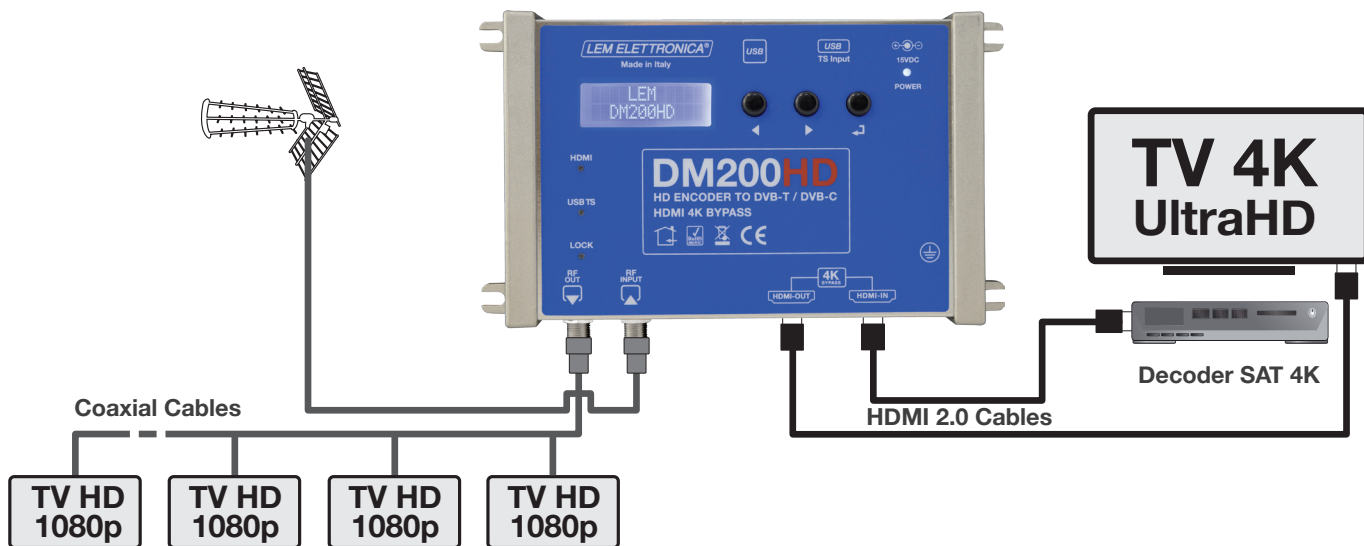
### GENERAL

POWER SUPPLY	Volt	15VDC (External PSU 100-240VAC 50/60Hz)
POWER CONSUMPTION	W	4,8 Watt Max. / 3,5 Watt Energy saving mode
DIMENSIONS	mm	193x109x39h
OPERATING TEMPERATURE	C°	0... 45

# DM200HD BLOCK DIAGRAM



## 4K HDMI source from a satellite set-top-box.



## Video file stored in a USB pendrive

