






HS446

6 cable legacy multiswitch

-  **LNB powering from decoder**
-  **Through loss $\leq 1,5\text{dB}$**
-  **Max. consumption $\leq 35\text{mA}$**
-  **Support for wall fixing**
-  **Compact size**



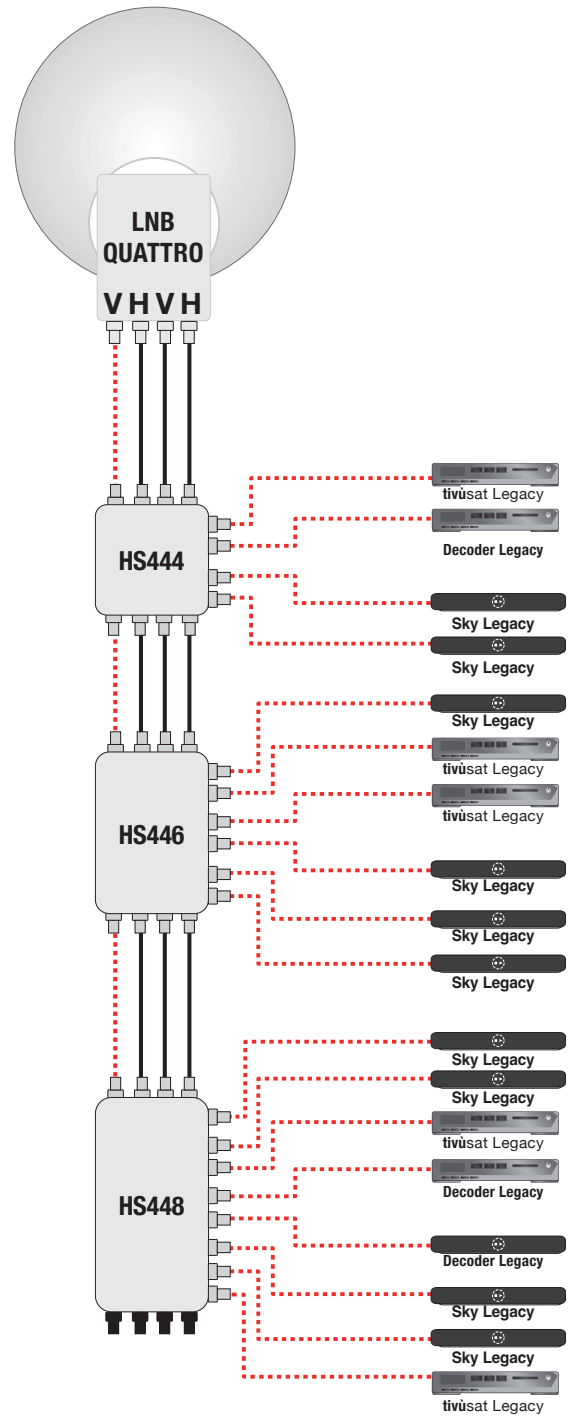
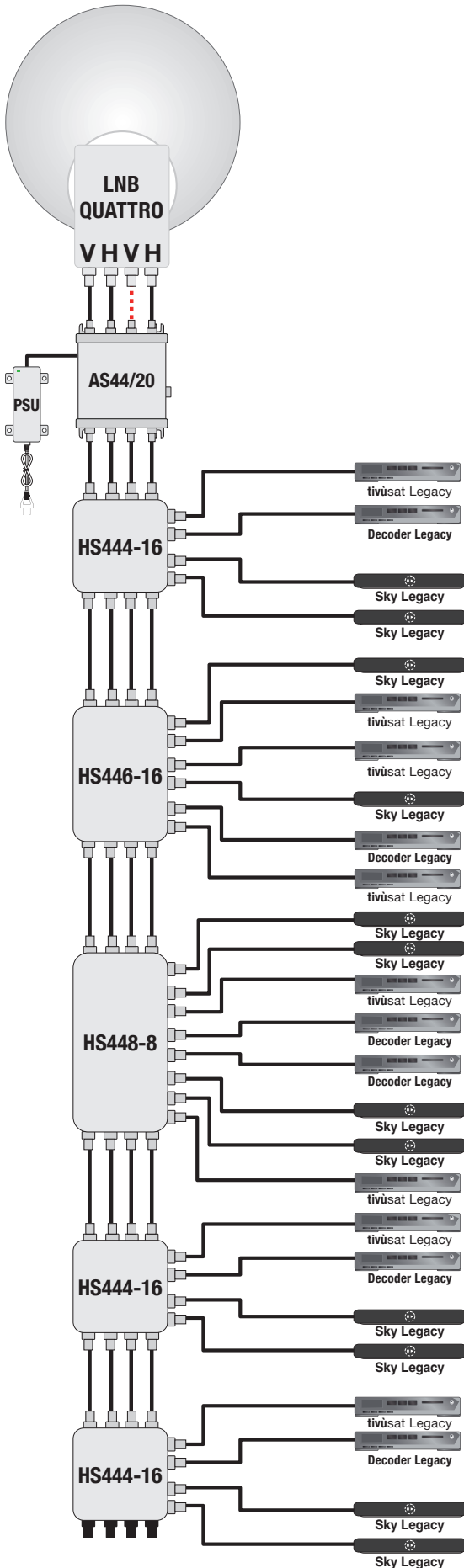
5
WARRANTY YEARS

Ready for
UHDTV

ENERGY  SAVING
Stand-by mode

MODEL		HS446
MODEL		CASCADABLE
INPUTS / OUTPUTS		4 / 4
TAPS		6
MAX LEVEL IF-SAT INPUT	dB μ V	90
IF-SAT THROUGH LOSS	dB	$\leq 1,5$
TAP GAIN	dB	0/+1
INPUTS ISOLATION	dB	> 35
INPUT / OUTPUT ISOLATION	dB	> 30
RETURN LOSS	dB	> 12
TAP CONSUMPTION	mA	35
LNB MAX CURRENT	mA	300
DIMENSIONS	mm	120 x 72 x 28

Connection Diagram



▶ For small installations with one or more HS44 series multiswitches, it is not necessary to use the head amplifier.

LNB power is supplied directly from the decoders.

--- LNB Power Line

