

# HS448-18

## 8 cable legacy multiswitch -18dB

- LNB powering from decoder
- Through loss  $\leq 3\text{dB}$
- Max. consumption  $\leq 35\text{mA}$
- Support for wall fixing
- Compact size



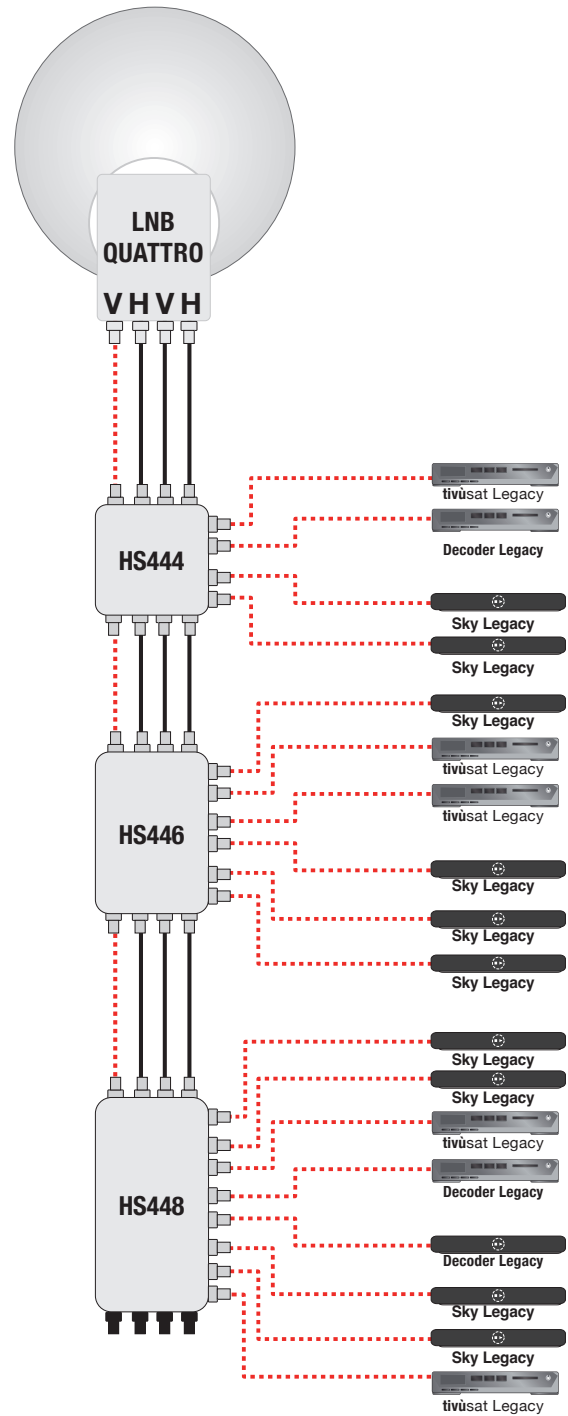
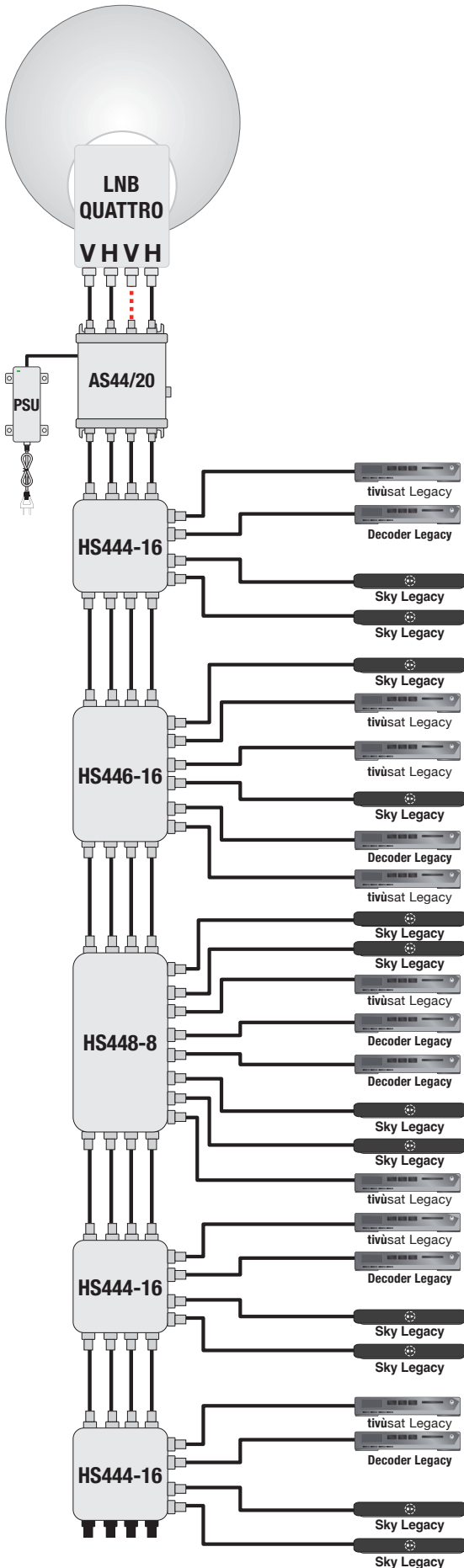
5 YEARS WARRANTY

Ready for UHDTV

ENERGY SAVING  
Stand-by mode

MODEL		HS448-18
MODEL		CASCADABLE
INPUTS / OUTPUTS		4 / 4
TAPS		8
MAX LEVEL IF-SAT INPUT	dB $\mu$ V	106
IF-SAT THROUGH LOSS	dB	$\leq 3$
TAP LOSS	dB	-18
INPUTS ISOLATION	dB	> 35
INPUT / OUTPUT ISOLATION	dB	> 30
RETURN LOSS	dB	> 12
TAP CONSUMPTION	mA	35
LNB MAX CURRENT	mA	300
DIMENSIONS	mm	147 x 72 x 28

# Connection Diagram



▶ For small installations with one or more HS44 series multiswitches, it is not necessary to use the head amplifier.

LNB power is supplied directly from the decoders.

----- LNB Power Line

