






# HS448-8

## 8 cable legacy multiswitch -8dB

-  **LNB powering from decoder**
-  **Through loss  $\leq 3\text{dB}$**
-  **Max. consumption  $\leq 35\text{mA}$**
-  **Support for wall fixing**
-  **Compact size**



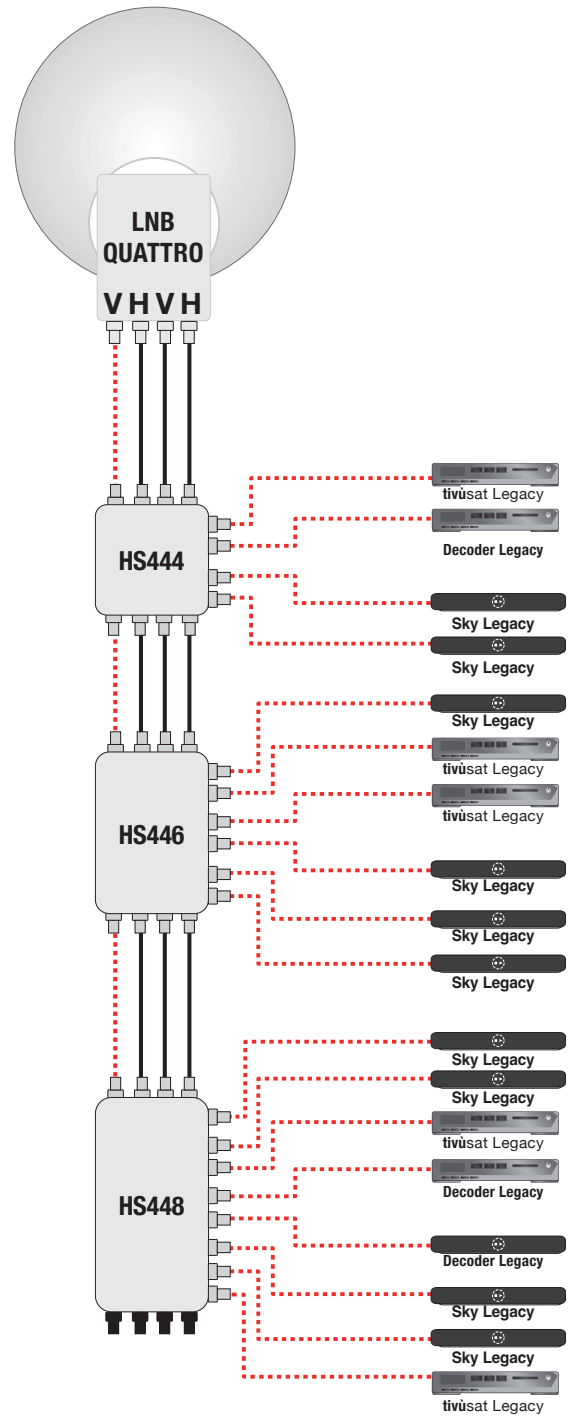
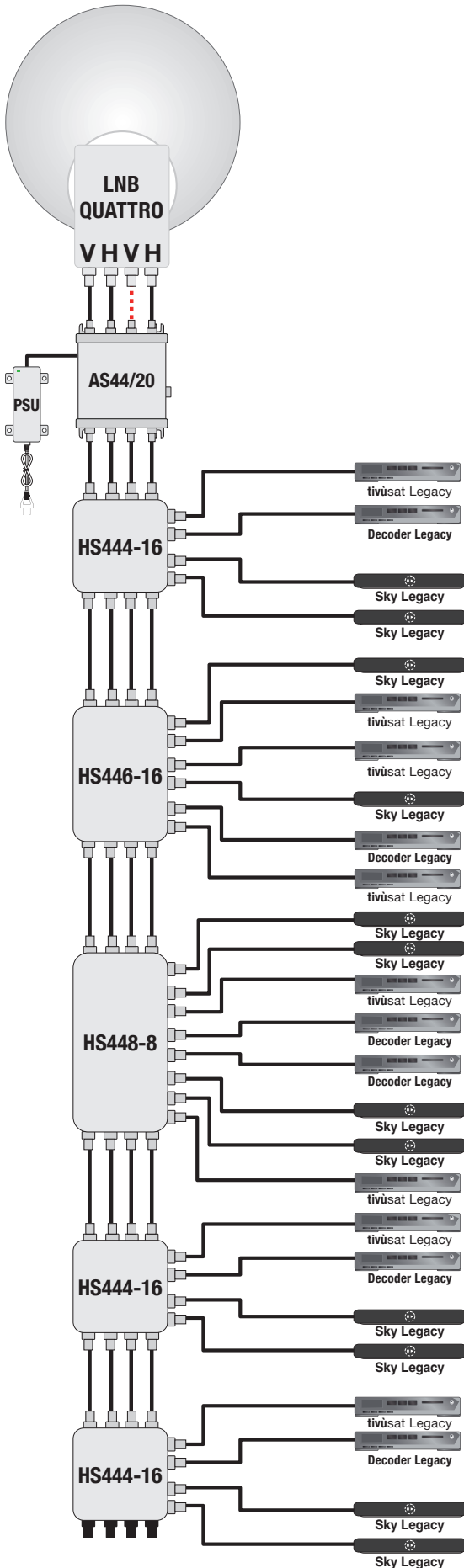
**5**  
WARRANTY YEARS

Ready for  
**UHDTV**

ENERGY  SAVING  
Stand-by mode

MODEL		HS448-8
MODEL		CASCADABLE
INPUTS / OUTPUTS		4 / 4
TAPS		8
MAX LEVEL IF-SAT INPUT	dB $\mu$ V	98
IF-SAT THROUGH LOSS	dB	$\leq 3$
TAP LOSS	dB	-8
INPUTS ISOLATION	dB	$> 35$
INPUT / OUTPUT ISOLATION	dB	$> 30$
RETURN LOSS	dB	$> 12$
TAP CONSUMPTION	mA	35
LNB MAX CURRENT	mA	300
DIMENSIONS	mm	147 x 72 x 28

# Connection Diagram



▶ For small installations with one or more HS44 series multiswitches, it is not necessary to use the head amplifier.

LNB power is supplied directly from the decoders.

--- LNB Power Line

