






HSX54-20

-  **LNB powering from decoder**
-  **Satellite gain adjustment**
-  **Max. consumption $\leq 35\text{mA}$**
-  **Satellite / Terrestrial isolation $>50\text{dB}$**
-  **Short circuit protection**



- 5-cable cascade LEGACY multiswitch with 4 outputs and satellite level gain adjustment.
- Extremely compact and low leakage to facilitate both the creation of new installations and integration into existing ones.
- Powering the multiswitch and tele-powering the LNB from decoder.

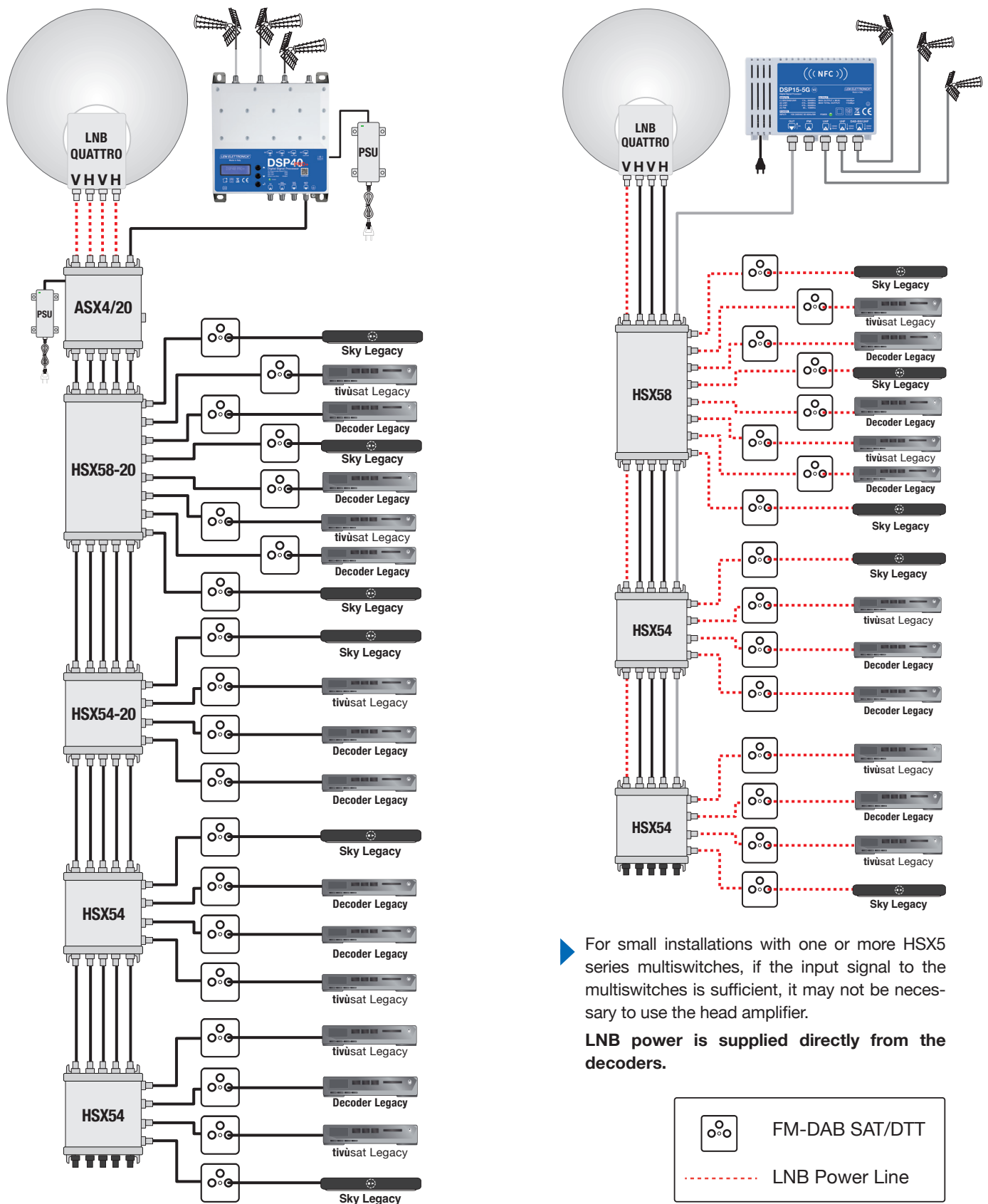
WARRANTY **5** YEARS

Ready for **UHDTV**

ENERGY  SAVING
Stand-by mode

MODEL		HSX54-20
MODEL		CASCADABLE
INPUTS / OUTPUTS		5 / 5
TAPS		4
SATELLITE		
THROUGH LOSS (5÷2400MHz)	dB	$\leq 1,5$
TAP GAIN	dB	0... - 12
MAX INPUT LEVEL	dB μ V	90
LNB MAX CURRENT	mA	300
TV TERRESTRIAL		
TRUNK FREQUENCY RANGE	MHz	5... 900
TRUNK LOSS	dB	≤ 2
TAP FREQUENCY RANGE	MHz	5... 790
TAP LOSS	dB	- 21
RETURN PATH (5... 65 MHz)	dB	- 21
COMMON		
IF-SAT / TV TERR. SEPARATION	dB	≥ 50
INPUTS SEPARATION	dB	> 35
INPUT / OUTPUT SEPARATION	dB	> 30
RETURN LOSS	dB	> 12
MAX. TAP CONSUMPTION	mA	60
OPERATING TEMPERATURE	°C	-10... +55
DIMENSIONS	mm	88 x 110 x 35

Connection Diagram



▶ For small installations with one or more HSX5 series multiswitches, if the input signal to the multiswitches is sufficient, it may not be necessary to use the head amplifier.

LNB power is supplied directly from the decoders.

	FM-DAB SAT/DTT
	LNB Power Line

