




# FCOW

## Fibre Optic Virtual Wide Band LNB

-  **RF adjuster for each output**
-  **Optical link monitor**
-  **Supplied with power supply**



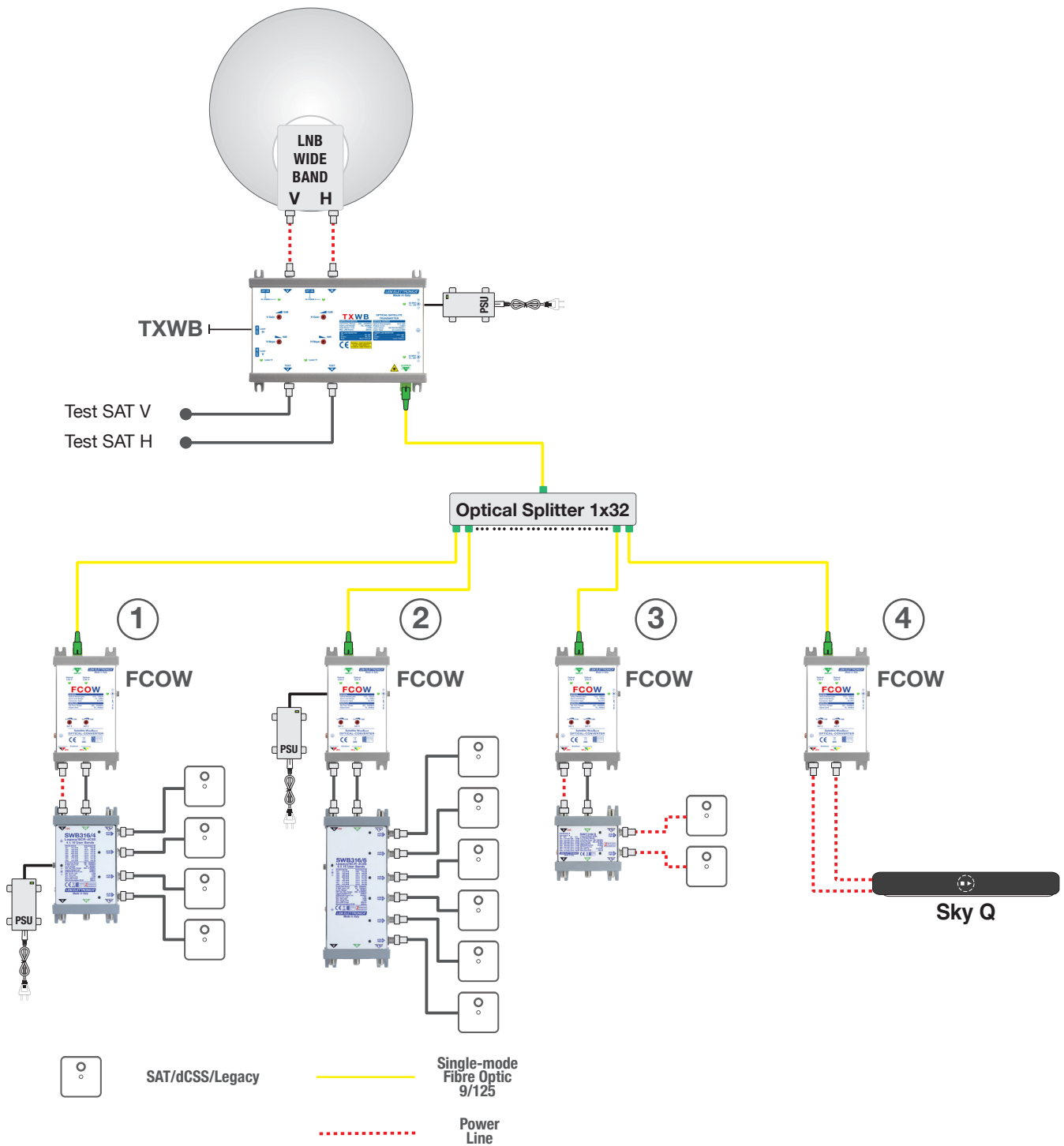
Optical compact converter for vertical and horizontal wide band IF signals over a sole single-mode fibre optic. It can be used combined with Wide Band Multiswitch or directly to Sky Q wide band inputs.

Ready for  
**UHDTV**

**5**  
WARRANTY YEARS

MODEL		FCOW
OPTICAL INPUT		1
RF OUTPUTS		2
<b>OPTICAL</b>		
OPERATION WAVELENGTH	nm	1310 - 1330
INPUT POWER RANGE	dBm	-14... 0
INPUT CONNECTOR TYPE		SC/APC
RETURN LOSS	dB	≥40
<b>SATELLITE</b>		
OUTPUT BANDWIDTH	MHz	250... 2400
OUTPUT LEVEL	dBµV	78... 90
<b>OTHERS</b>		
ISOLATION V / H	dB	> 30
OUTPUT RETURN LOSS	dB	> 12
DC INPUT VOLTAGE RANGE	V	12... 20
MAXIMUM CONSUMPTION	W	3
OPERATING TEMPERATURE	°C	0... 50
DIMENSIONS	mm	80x159x35

# Connection Diagram



The **TXWB** headend converts and transmits over a single-mode optical fibre cable the terrestrial signals (DTT, FM, DAB) and all the transponders of a satellite received from an Wide Band LNB. The conversion of the optical signals are performed by **FCOW**. In the sample there are four suggested use and powering mode of the **FCOW**:

- (1) Combined with a **SWB316/4** powered by the PSU connected to the multiswitch.
- (2) Combined with a **SWB316/8**, powering is provided by PSU connected to **FCOW**
- (3) Combined with a **SWC316/2**, powering is provided by the Set-Top-Box.
- (4) Directly powered and connected to the Sky Q Wide Band inputs