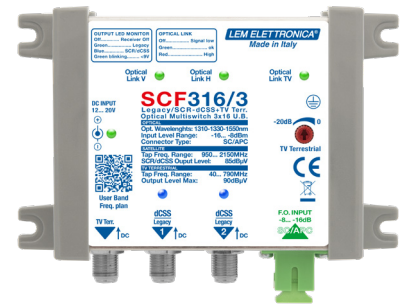


SCF316/3

Single Satellite Fibre Optic Multiswitches 3 outputs

- ✓ **Optical input sensitivity -16... -8 dBm**
- ✓ **2 x Legacy/dSCR-DTT/DAB/FM outputs**
- ✓ **1 x TV terrestrial output**
- ✓ **Powered from DC socket or coaxial cable**
- ✓ **Level adjuster for TV terrestrial signal**
- ✓ **Optical link monitor Led**
- ✓ **A.G.C. for each output**



Optical input multiswitch receiver for the distribution of all satellite transponders of an orbital position as well as DVB-T, FM, DAB terrestrial services via a single mode fibre.

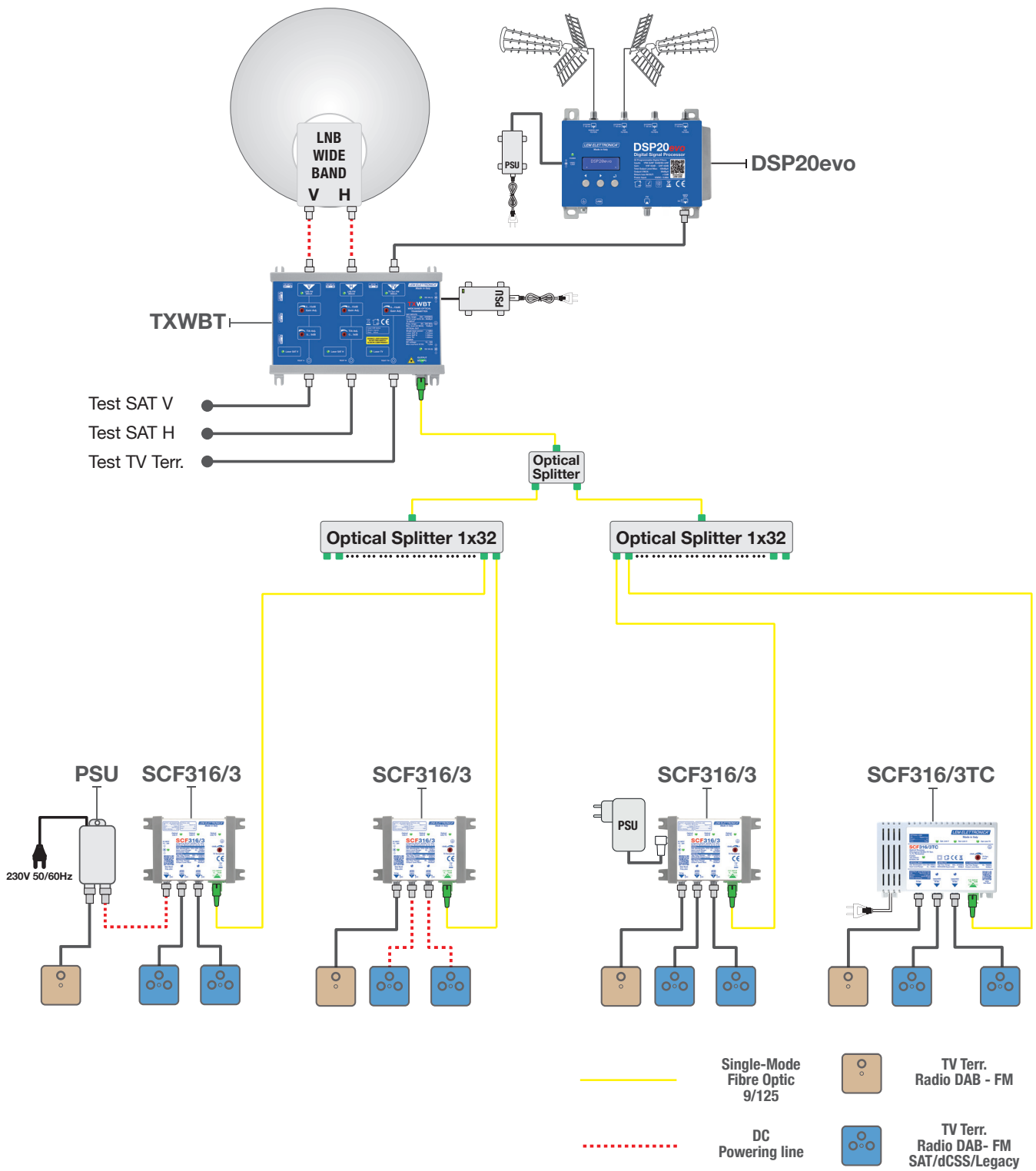
It has 2 satellite outputs (dCSS/Legacy) with mixed TV/FM/DAB and 1 additional TV/FM/DAB output.

Ready for
UHDTV

WARRANTY **5** YEARS

MODEL		SCF316/3
OPTICAL INPUT		1
OUTPUTS (TERRESTRIAL+SATELLITE)		2
OUTPUT (TERRESTRIAL)		1
OPTICAL		
OPERATION WAVELENGTH	nm	1310 - 1330 - 1550
INPUT POWER RANGE	dBm	-16... -8
INPUT CONNECTOR TYPE		SC/APC
RETURN LOSS	dB	>40
SATELLITE		
OUTPUT BANDWIDTH	MHz	950... 2150
SCR/dCSS OUTPUT LEVEL	dBµV	85
LEGACY OUTPUT LEVEL	dBµV	75
SATELLITE CONTROL STANDARDS		Universal LNB Voltage & Tone / DiSEqC 1.0 / DiSEqC 2.0
SSCR/dCSS/dSCR PROTOCOLS		EN50494 / EN50607 / SKY UK
AVAILABLE USER BAND FREQUENCY PLANS		SKY ITALIA - SKY UK / DSTV SOUTH AFRICA / POLSAT
TV TERRESTRIAL / FM / DAB		
OUTPUT BANDWIDTH	MHz	40... 790
SEPARATE OUTPUTS MAXIMUM LEVEL	dBµV	90
DIPLEXED OUTPUT MAXIMUM LEVEL	dBµV	80
OUTPUT LEVEL ADJUSTABLE RANGE	dB	0... -20
OTHERS		
ISOLATION BETWEEN SATELLITE/TERRESTRIAL	dB	≥ 40
ISOLATION V / H	dB	> 30
OUTPUT RETURN LOSS	dB	> 12
DC INPUT VOLTAGE RANGE	V	12... 20
MAXIMUM CONSUMPTION	W	4,5
OPERATING TEMPERATURE	°C	0... 50
DIMENSIONS	mm	127x90x38

Connection Diagram



Distribution of a satellite and terrestrial feed (DTT; FM; DAB) over a single mode optical fibre

The **TXWB** headend converts and transmits over a single-mode fibre optical cable the terrestrial feeds and the transponders of a satellite received from a Wide Band LNB. Each **SCF316** series optical converter output provides terrestrial and satellite signals supporting the legacy or dSCR standards (AUTO-SWITCH).

