

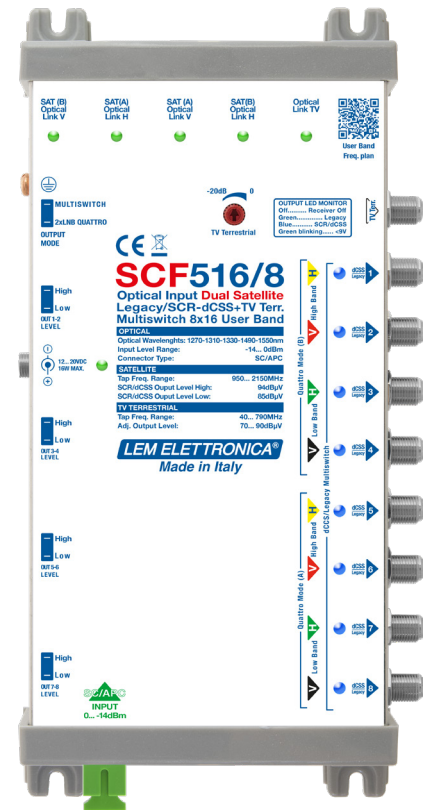
SCF516/8

Two Satellites Fibre Optic Multiswitches 8+1 outputs

- ✓ Reception of 2 satellites and terrestrial feed
- ✓ 8 x Legacy/dSCR - DTT/DAB/FM outputs
- ✓ 1 x Terrestrial output
- ✓ Output booster for satellite signals
- ✓ Optical link monitor Led
- ✓ A.G.C. for each output
- ✓ Level adjuster for TV terrestrial signal
- ✓ Supplied with power supply

Multi-output dSCR optical converter for distribution of signals from two satellites and terrestrial feed (TV/FM/DAB) over a single-mode optical fibre.

This model can be configured to emulate the operation of 2 LNB Quattro VL-HL/VH-HH with separate terrestrial TV output.

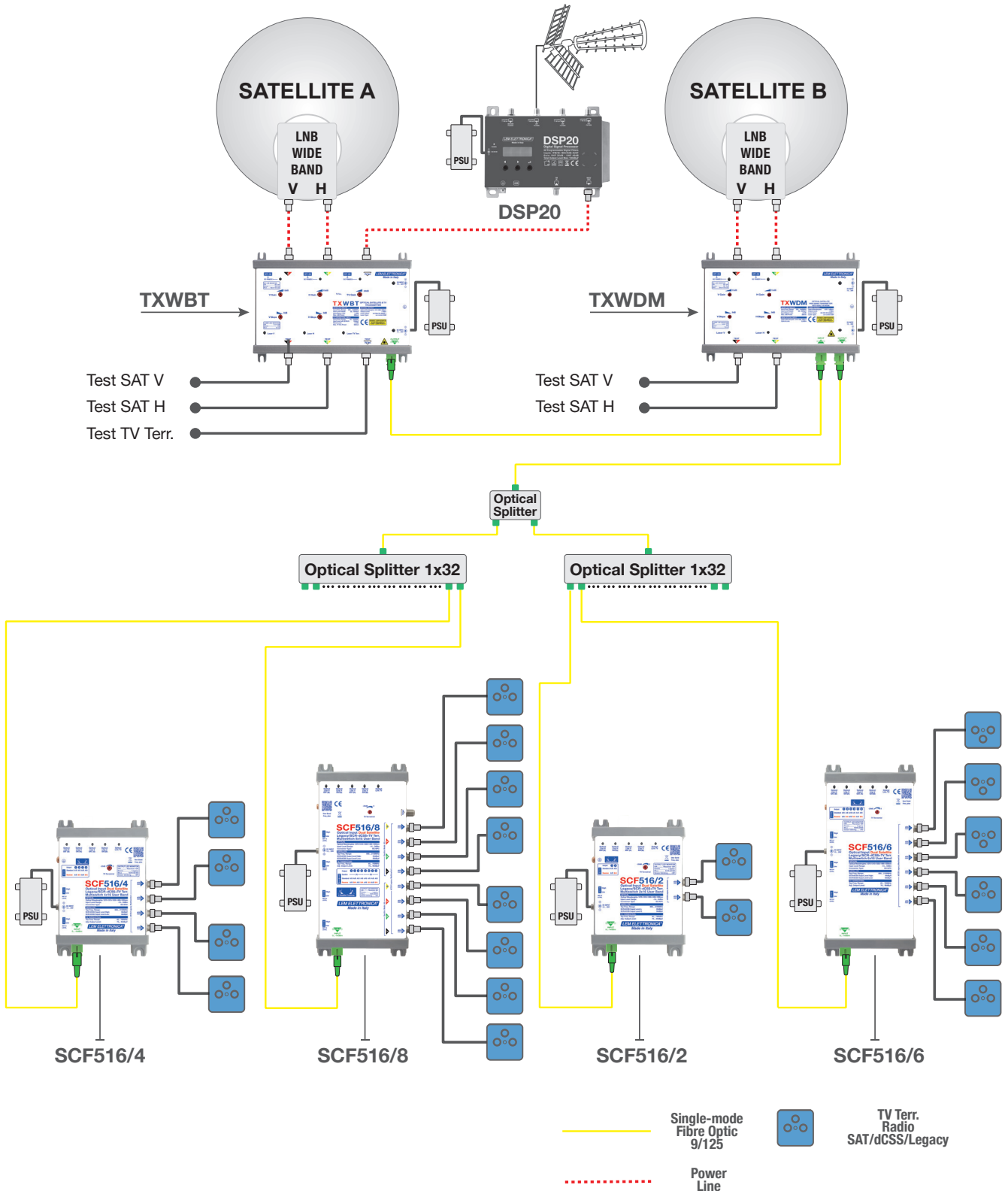


Ready for
UHDTV

5 YEARS
WARRANTY

MODEL		SCF516/8
OPTICAL INPUT		1
OUTPUTS (TERRESTRIAL+SATELLITE)		8
TERRESTRIAL ONLY OUTPUTS		1
OPTICAL		
OPERATION WAVELENGTHS	nm	1.270 - 1310 - 1330 - 1.490 - 1550
INPUT POWER RANGE	dBm	-14... 0
INPUT CONNECTOR TYPE		SC/APC
RETURN LOSS	dB	≥40
SATELLITE		
OUTPUT BANDWIDTH	MHz	950... 2150
SCR/dCSS OUTPUT LEVEL	dBµV	85 Booster OFF / 94 Booster ON
LEGACY OUTPUT LEVEL	dBµV	75 Booster OFF / 80 Booster ON
SATELLITE CONTROL STANDARDS		Universal LNB Voltage & Tone / DiSEqC 1.0 / DiSEqC 2.0
SCR/dCSS/DSCR PROTOCOLS		EN50494 / EN50607 / SKY UK (AUTO-SWITCH)
AVAILABLE USER BAND FREQUENCY PLANS		SKY ITALIA - SKY UK / DSTV SOUTH AFRICA / POLSAT
TV TERRESTRIAL / FM / DAB		
OUTPUT BANDWIDTH	MHz	40... 790
MAXIMUM OUTPUT LEVEL	dBµV	85
OUTPUT LEVEL ADJUSTABLE RANGE	dB	0... -20
OTHERS		
ISOLATION BETWEEN SATELLITE/TERRESTRIAL	dB	≥ 40
ISOLATION V / H	dB	> 30
OUTPUT RETURN LOSS	dB	> 12
DC INPUT VOLTAGE RANGE	V	12... 20
MAXIMUM CONSUMPTION	W	19
OPERATING TEMPERATURE	°C	0... 50
DIMENSIONS	mm	243x118x38

Connection Diagram



Distribution of two satellite and terrestrial feeds (DTT, FM, DAB) over a single-mode optical fibre.

The **TXWBT** and **TXWDM** headends convert and transmit the terrestrial feeds and all the transponders of two satellites received from two wideband LNB over a single mode fibre. The **SCF516** series optical multiswitches receive and convert to RF for single or multi-dwelling coaxial distribution. Each **SCF516** multiswitch output provides terrestrial and satellite signals and fully supports Diseqc control in legacy and SCR/dCSS standards.