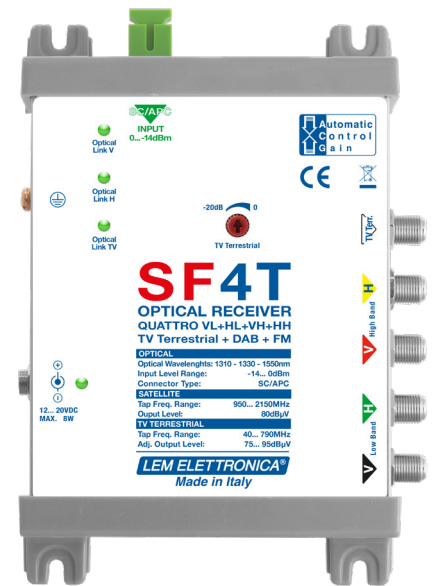


# SF4T

## Fibre Optic Virtual Quattro LNB

- ✓ 1 x Virtual LNB Quattro emulation
- ✓ 1 output for TV Terrestrial / DAB / FM
- ✓ Optical link monitor Led
- ✓ A.G.C. for each output
- ✓ Level adjuster for TV terrestrial signal
- ✓ Supplied with power supply



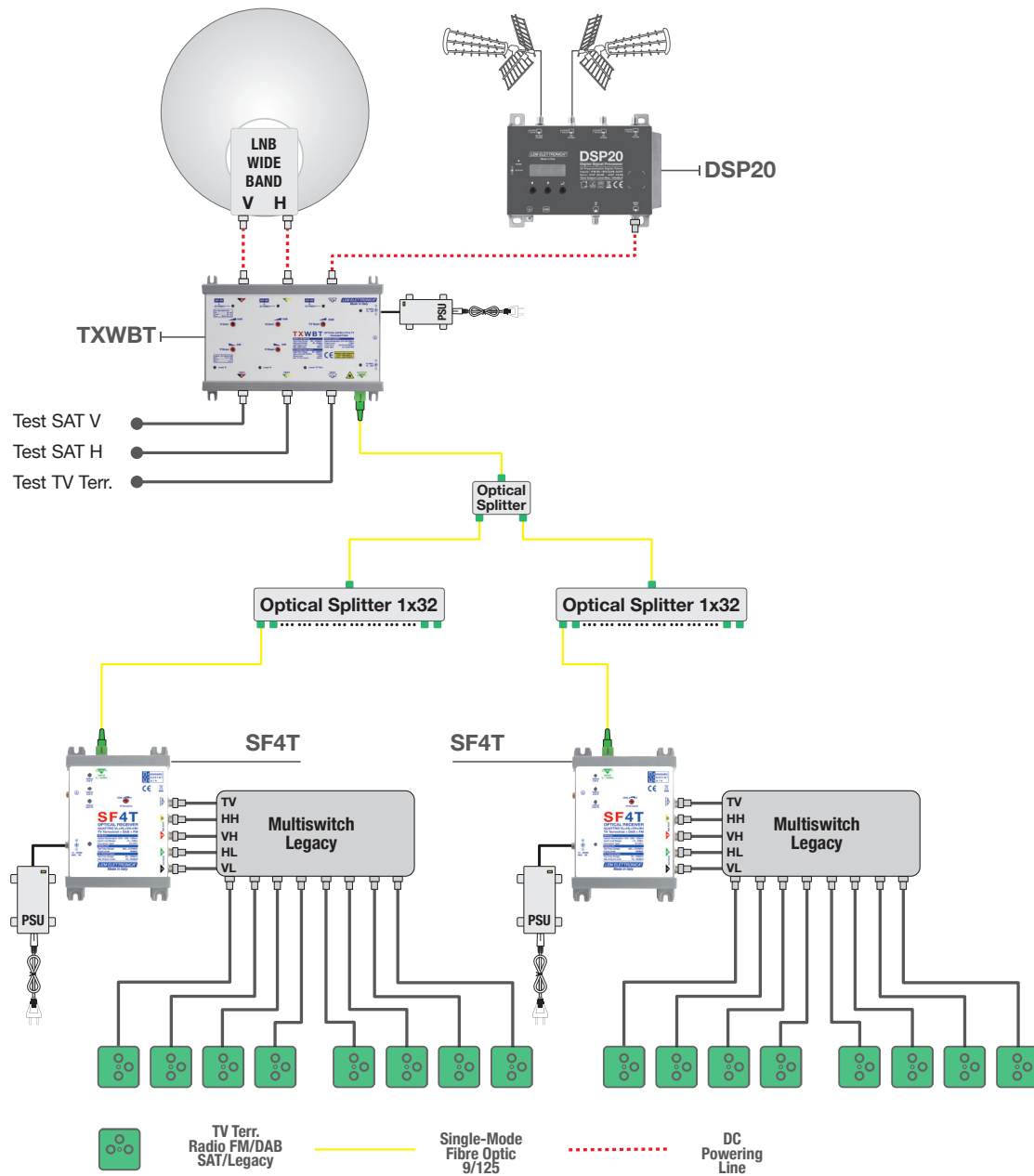
Optical receiver of a single satellite and terrestrial feed (TV/FM/DAB). The satellite outputs emulate **Quattro LNB** outputs.

Ready for  
**UHDTV**

WARRANTY **5** YEARS

MODEL		SF4T
OPTICAL INPUT	n°	1
SATELLITE OUTPUTS	n°	4
TERRESTRIAL OUTPUT	n°	1
<b>OPTICAL</b>		
OPERATION WAVELENGTH	nm	1310 - 1330 - 1550
INPUT POWER RANGE	dBm	-14... 0
INPUT CONNECTOR TYPE		SC/APC
RETURN LOSS	dB	≥40
<b>SATELLITE</b>		
OUTPUT BANDWIDTH	MHz	1xVL-HL (950... 1.950)/ VH-HH (1.100... 2.150)
OUTPUT LEVEL	dBμV	80
<b>TV TERRESTRIAL / FM / DAB</b>		
OUTPUT BANDWIDTH	MHz	80... 862
LEVEL ADJUSTER ATTENUATOR	dB	0... -20
OUTPUT LEVEL	dBμV	70... 90 (adjustable)
<b>OTHERS</b>		
ISOLATION V / H	dB	> 30
OUTPUT RETURN LOSS	dB	> 12
DC INPUT VOLTAGE RANGE	V	12... 20
MAXIMUM CONSUMPTION	W	8
OPERATING TEMPERATURE	°C	0... 50
DIMENSIONS	mm	172x118x38

# Connection Diagram



## Distribution of a satellite and terrestrial feed (DTT; FM; DAB) over a single-mode optical fibre to standard five wire multiswitch

The **TXWBT** headend converts and transmits over a single-mode fibre optical cable the terrestrial feeds and the transponders of a satellite received from a Wide Band LNB. The optical signals are received by the optical converter **SF4T** that **emulates an LNB Quattro**. The outputs VL-HL/VH-HH and the terrestrial output can feed any five input multiswitch.