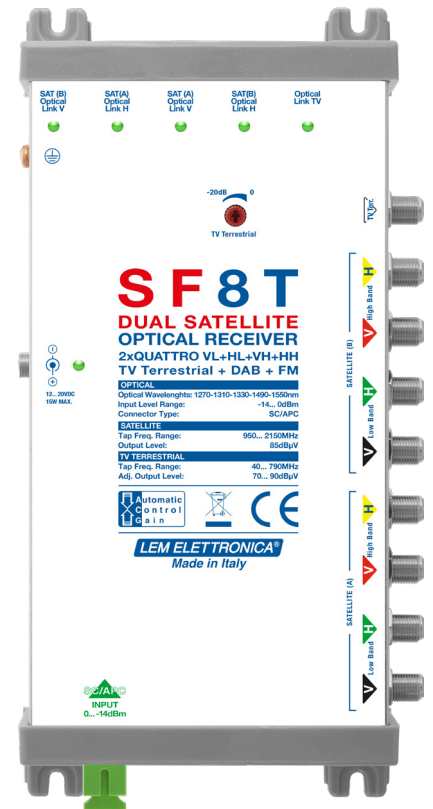


# SF8T

## Fibre Optic Virtual Quattro LNB

- ✓ 2 X Virtual LNB Quattro emulation
- ✓ 1 output for TV Terrestrial / DAB / FM
- ✓ Optical link monitor Led
- ✓ A.G.C. for each output
- ✓ Level adjuster for TV terrestrial signal
- ✓ Supplied with power supply

Optical receiver for two satellites and terrestrial input (TV/FM/DAB). The satellite outputs emulate **Quattro LNB** outputs.

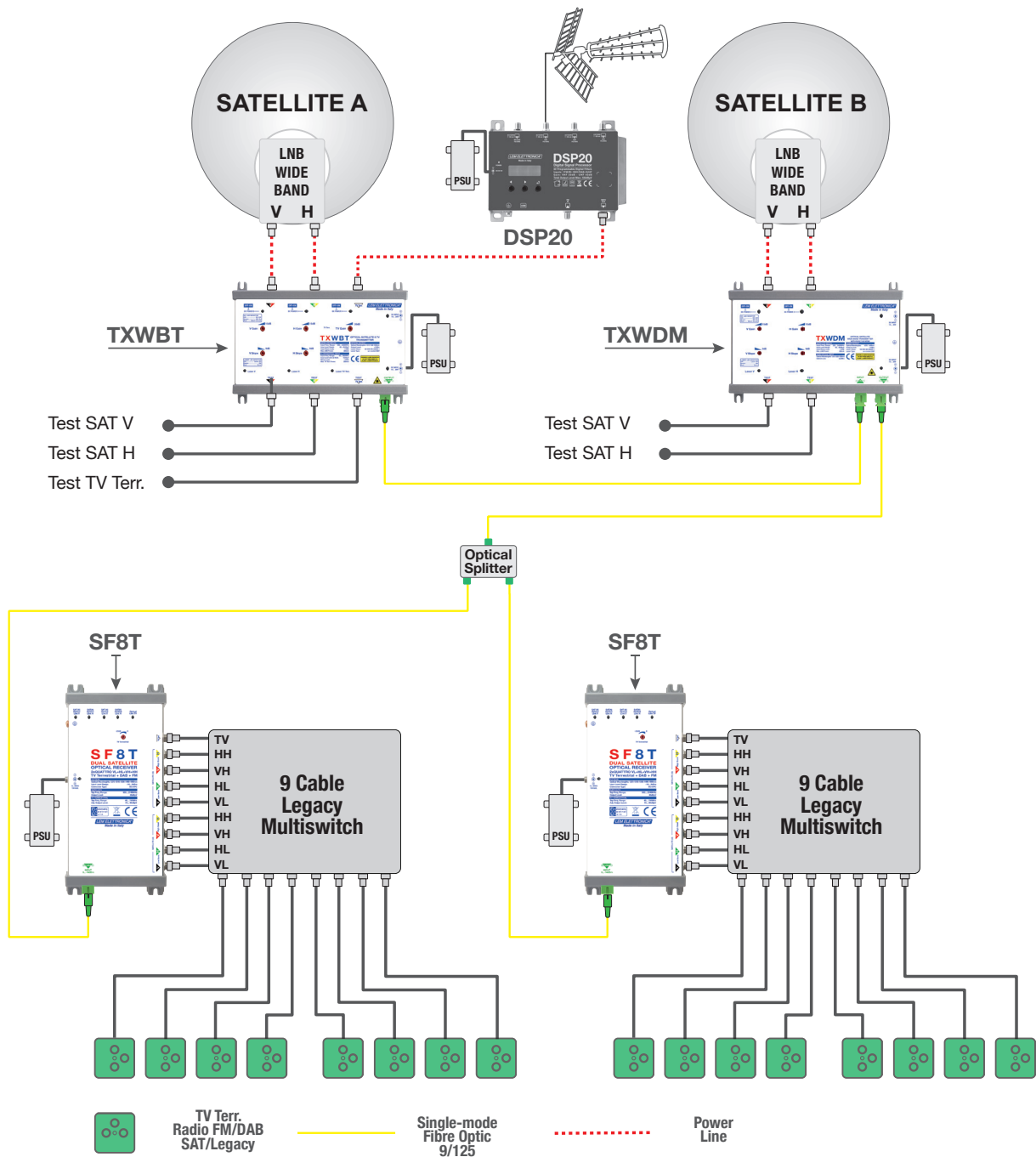


Ready for  
**UHDTV**



MODEL		SF8T
OPTICAL INPUT	n°	1
SATELLITE OUTPUTS	n°	8
TERRESTRIAL OUTPUT	n°	1
<b>OPTICAL</b>		
OPERATION WAVELENGTH	nm	1270 - 1310 - 1330 - 1490 - 1550
INPUT POWER RANGE	dBm	-14... 0
INPUT CONNECTOR TYPE		SC/APC
RETURN LOSS	dB	≥40
<b>SATELLITE</b>		
OUTPUT BANDWIDTH	MHz	2xVL-HL (950... 1.950)/ VH-HH (1.100... 2.150)
OUTPUT LEVEL	dBμV	80
<b>TV TERRESTRIAL / FM / DAB</b>		
OUTPUT BANDWIDTH	MHz	80... 862
LEVEL ADJUSTER ATTENUATOR	dB	0... -20
OUTPUT LEVEL	dBμV	70... 90 (adjustable)
<b>OTHERS</b>		
ISOLATION V / H	dB	> 30
OUTPUT RETURN LOSS	dB	> 12
DC INPUT VOLTAGE RANGE	V	12... 20
MAXIMUM CONSUMPTION	W	16
OPERATING TEMPERATURE	°C	0... 50
DIMENSIONS	mm	243x118x38

# Connection Diagram



**Distribution of two satellites and terrestrial feed (DTT; FM; DAB) via single mode optical fibre to a standard dual nine-wire multiswitch for further distribution via coaxial cable.**

The **TXWBT** and **TXWDM** headends transmit the terrestrial feeds and the transponders of two satellites received by two wideband LNB over a single mode optical fibre. The optical signals are received by the **SF8T** optical converter, which emulates two **LNB Quattro**. The dual Quattro and terrestrial outputs can feed any nine-wire multiswitch.