


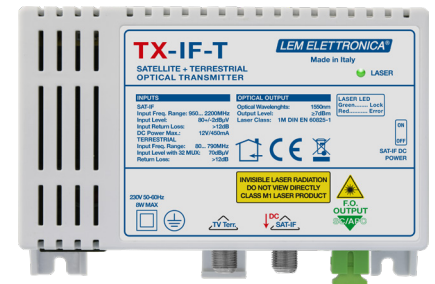


# TX-IF-T

## MATV & IF-IF-SAT Fibre Optic Transmitter

-  **DIN rail or wall mounting**
-  **Optical monitor Led**
-  **Very compact size**



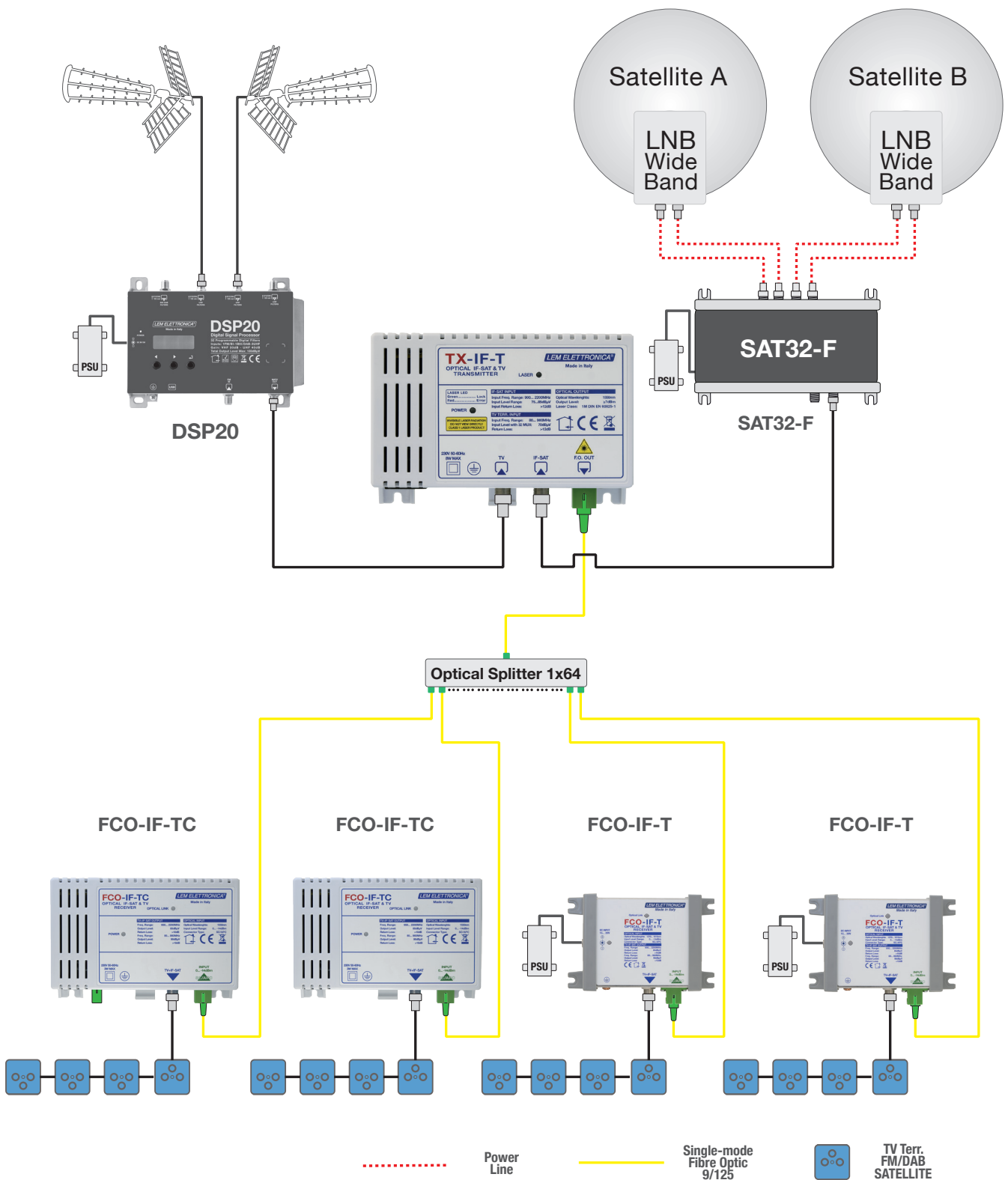
Compact DFB low distortion laser optical transmitter for **MATV e IF-IF-SAT** signals distribution over a sole single-mode fibre optic cable.

Ready for  
**UHDTV**

**5**  
WARRANTY YEARS

OPTICAL TRANSMITTER		TX-IF-T
RF INPUTS	n°	2
OPTICAL OUTPUT	n°	1
<b>OPTICAL</b>		
OUTPUT WAVELENGTH	nm	1550
LASER TYPE		UN-COOLED MULTI QUANTUM DFB
LASER CLASS		1M, EN 60825-1
OUTPUT POWER	dBm	7
RETURN LOSS	dB	>40
OUTPUT CONNECTOR		SC/APC
<b>SATELLITE</b>		
INPUTS BANDWIDTH	MHz	950... 2200
INPUT LEVEL	dBµV	60... 80
A.C.G. RANGE	dB	0... 20
RETURN LOSS	dB	>12
REMOTE FEEDING		12VDC / 450mA
<b>TV TERRESTRIAL</b>		
INPUT BANDWIDTH	MHz	80... 862
INPUT LEVEL FOR 32 MUX	dBµV	70
<b>OTHERS</b>		
DC INPUT VOLTAGE	V	230VAC 50/60HZ
MAX. POWER CONSUMPTION	W	2,5
SHORT-CIRCUIT PROTECTION		SAT INPUT
DIMENSIONS	mm	135x91x45
OPERATING TEMPERATURE	°C	0... +40

# Connection Diagram



## Distribution of IF-IF SAT and terrestrial feed (DTT; FM; DAB) over a single-mode optical fibre PON.

The headend **TX-IF-T** converts and transmits over a single-mode fibre optical cable the terrestrial feeds and the IF-IF SAT output of the satellite digital processor **SAT32F**.