







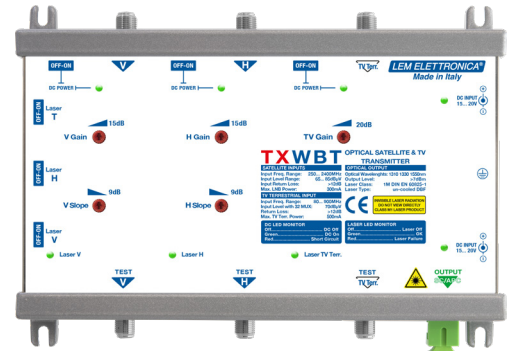


TXWBT

Wide band LNB + Terr. feeds Fibre Optic Transmitter

-  **V & H inputs for wide band LNB**
-  **LNB and TV Terr. power feeding**
-  **On/Off switch for each Laser**
-  **Test point for each input**
-  **Adjustable gain and slope for Satellite inputs**
-  **Optical monitor Led for each Laser**
-  **Double DC input for redundant power supply**
-  **Supplied with power supply**



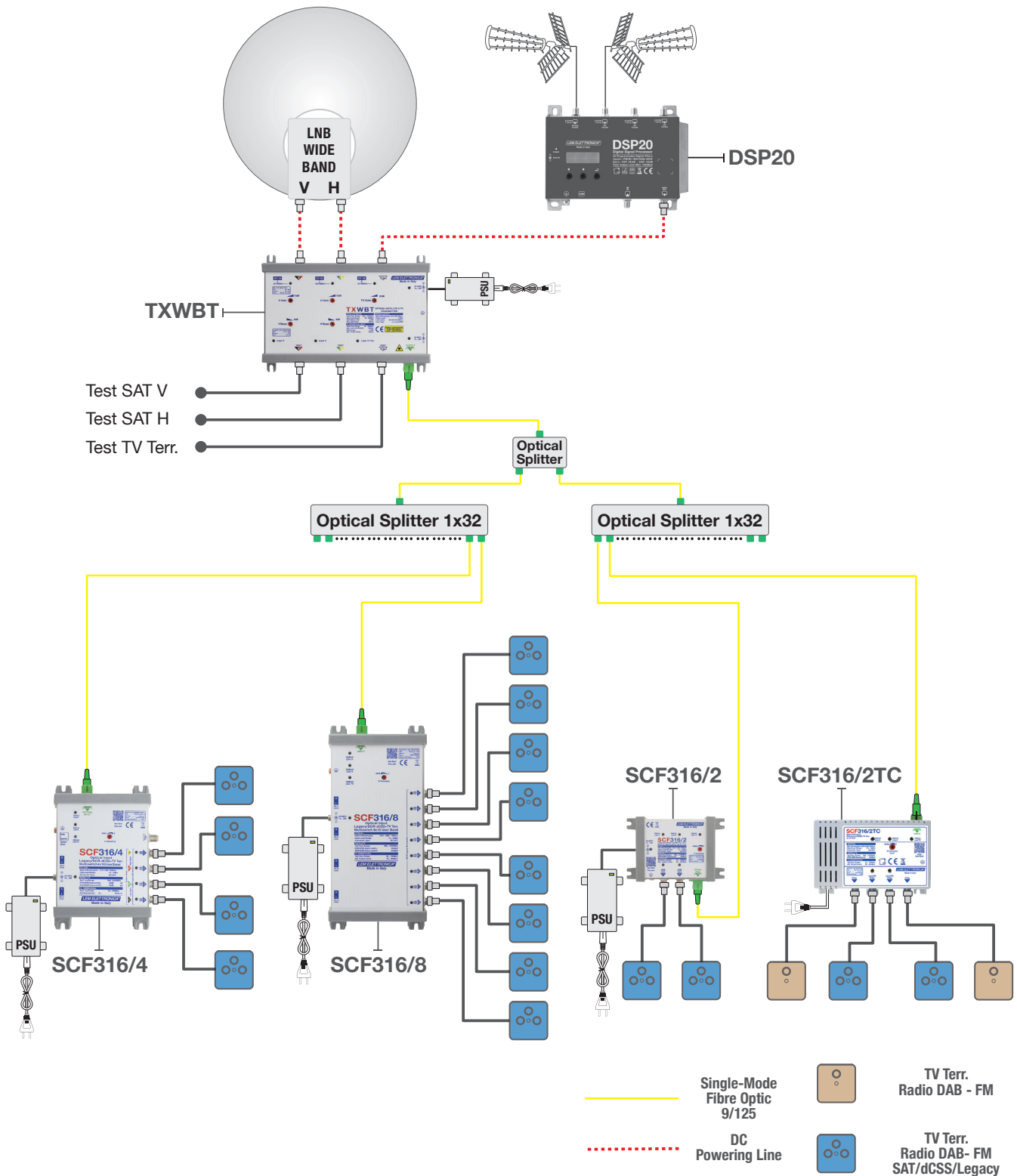
Multiple DFB low distortion laser optical transmitter based on WDM technology for MATV and Satellite signals distribution over a sole single-mode fibre optic cable.

Ready for
UHDTV

5
WARRANTY YEARS

MODEL		TXWBT
RF INPUTS	n°	3
RF TEST OUTPUTS	n°	3
OPTICAL OUTPUT	n°	1
OPTICAL		
OUTPUT WAVELENGTH	nm	1310 - 1330 - 1550
LASER TYPE		UN-COOLED MULTI QUANTUM DFB
LASER CLASS		1M, EN 60825-1
OUTPUT POWER	dBm	≥7
OUTPUT CONNECTOR		SC/APC
SATELLITE		
INPUTS BANDWIDTH (for Wide Band LNB)	MHz	250... 2.400
INPUT RANGE LEVEL (ADJUSTABLE)	dBμV	70... 90
A.C.G. RANGE	dB	20
SLOPE ADJUSTER RANGE	dB	0... 9
RETURN LOSS	dB	>12
LNB REMOTE FEEDING		5,25W (15VDC/350mA)
TV TERRESTRIAL		
INPUT BANDWIDTH	MHz	80... 900
INPUT LEVEL FOR 32 MUX	dBμV	70
INPUT LEVEL ADJUSTER RANGE	dB	0... -15
TERRESTRIAL REMOTE POWER FEEDING		8W (14VDC/570mA)
OTHERS		
DC INPUT VOLTAGE	V	12... 20
MAX. POWER CONSUMPTION WITHOUT EXTERNAL LOAD	W	3,5
MAX. POWER CONSUMPTION WITH EXTERNAL LOAD	W	17
SHORT-CIRCUIT PROTECTION		ALL INPUTS
DIMENSIONS	mm	146x200x38
OPERATING TEMPERATURE	°C	0... +50

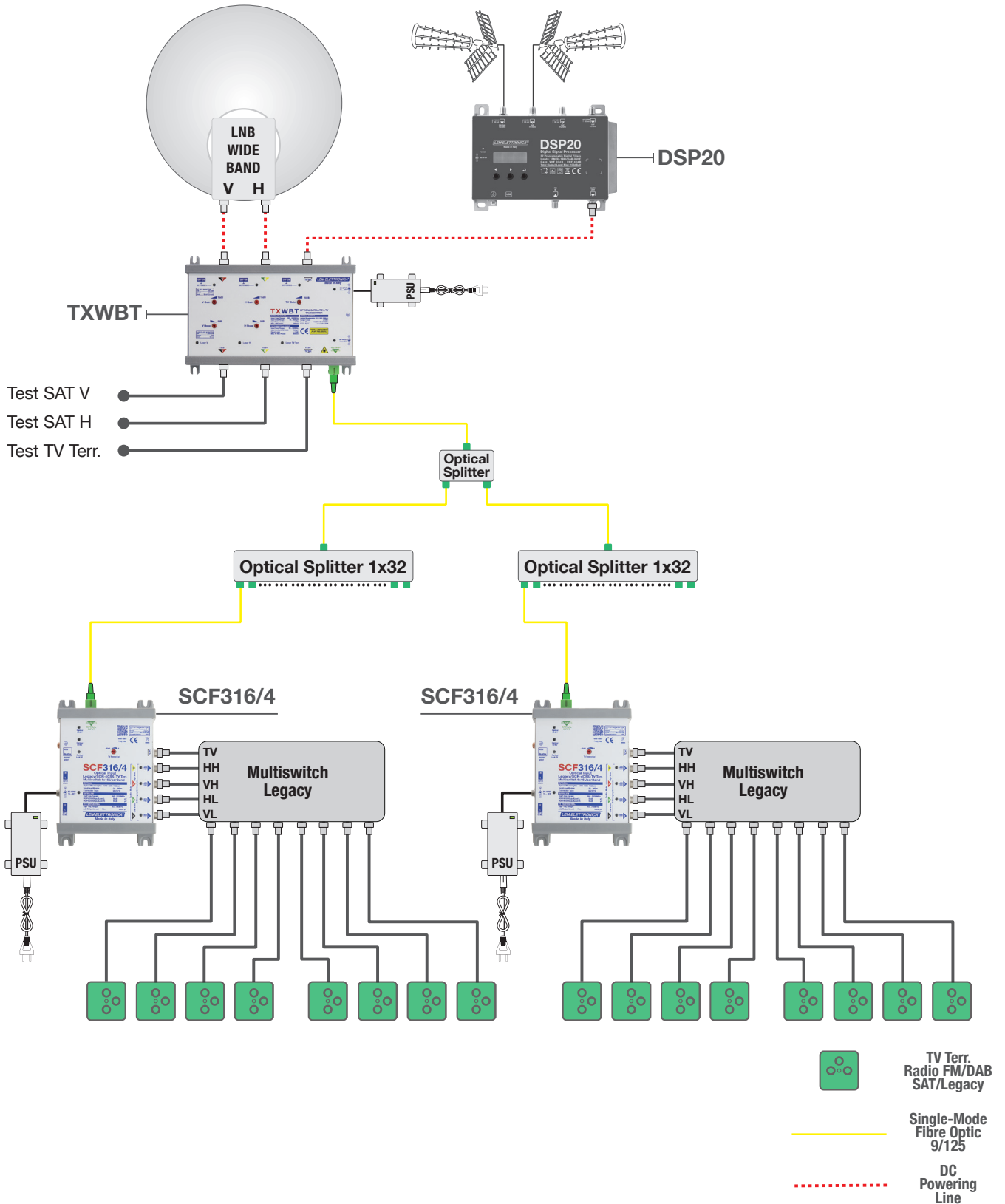
Connection Diagram



Distribution of a satellite and terrestrial feed (DTT; FM; DAB) over a single-mode optical fibre

The headend **TXWBT** converts and transmits over a single-mode fibre optical cable the terrestrial feeds and the transponders of a satellite received from a Wide Band LNB. Each **SCF316** series optical converter output provides terrestrial and satellite signals supporting the legacy or dSCR standards (AUTO-SWITCH).

Connection Diagram



Distribution of a satellite and terrestrial feed (DTT; FM; DAB) over a single-mode optical fibre to standard five wire multiswitch.

The headend **TXWBT** converts and transmits over a single-mode fibre optical cable the terrestrial feeds and the transponders of a satellite. The optical signals are received by the optical converter **SCF316/4** set to be a virtual LNB Quattro. The outputs VL-HL/VH-HH and the terrestrial output can feed any five input multiswitch.