



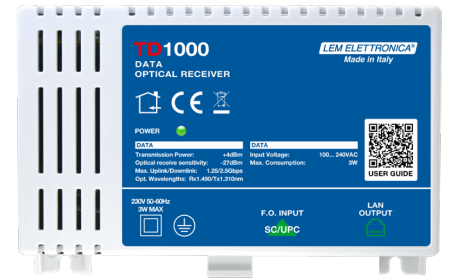


TD1000

Professional Optical Network Terminal (ONT)

-  **SC/UPC optical input**
-  **Remote management via OLT**
-  **Wall-mountable or DIN rail bar**
-  **Self power source 100... 240V**



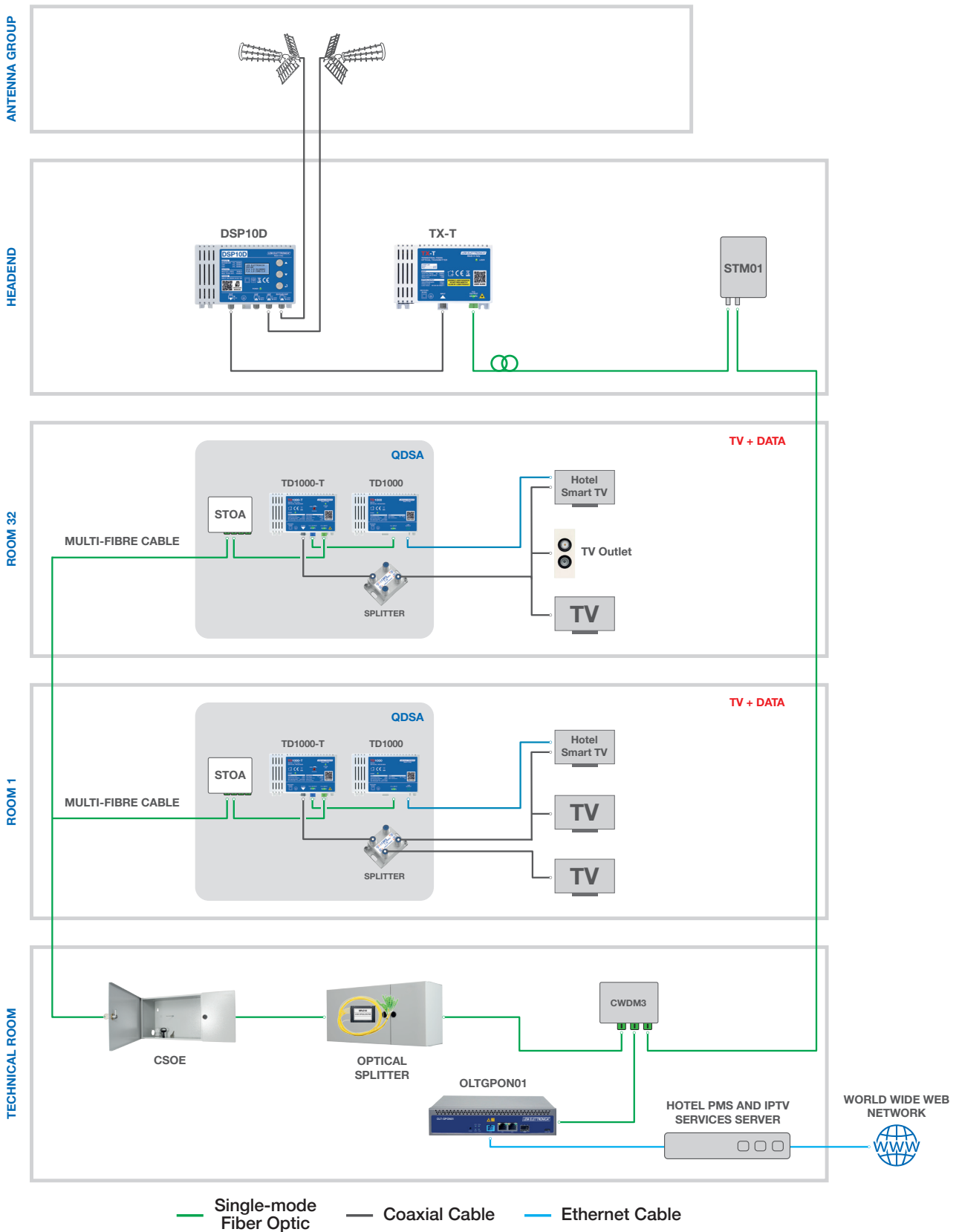
Power Supply 100... 240VAC Earth Terminal Optical Input SC/UPC RJ45 Port

Professional Optical Network Terminal (ONT) for receiving data over a single optical fibre.

5 YEARS WARRANTY

MODEL		TD1000
DESCRIPTION		DATA
N° OPTICAL CONNECTOR SC/UPC	n°	1
DATA		
RECEPTION OPTICAL SENSITIVITY	dBm	-27
TRANSMISSION OPTICAL POWER	dBm	+4
MAXIMUM SPEED	Gbps	1,25 UPLINK / 2,5 DOWNLINK
OPTICAL WAVELENGTHS	nm	Rx 1.490 / Tx 1.310
ETHERNET		
LAN		1x10/100/1000 with Full/Half Duplex auto-negotiation.
CONNECTION		RJ45 connector with Auto MDI/MDI-X.
COMMON		
INPUT VOLTAGE		100... 240VAC - 50/60Hz
MAX. CONSUMPTION	W	3
TEMPERATURE RANGE	°C	0... 50
DIMENSIONS	mm	135 x 91 x 45

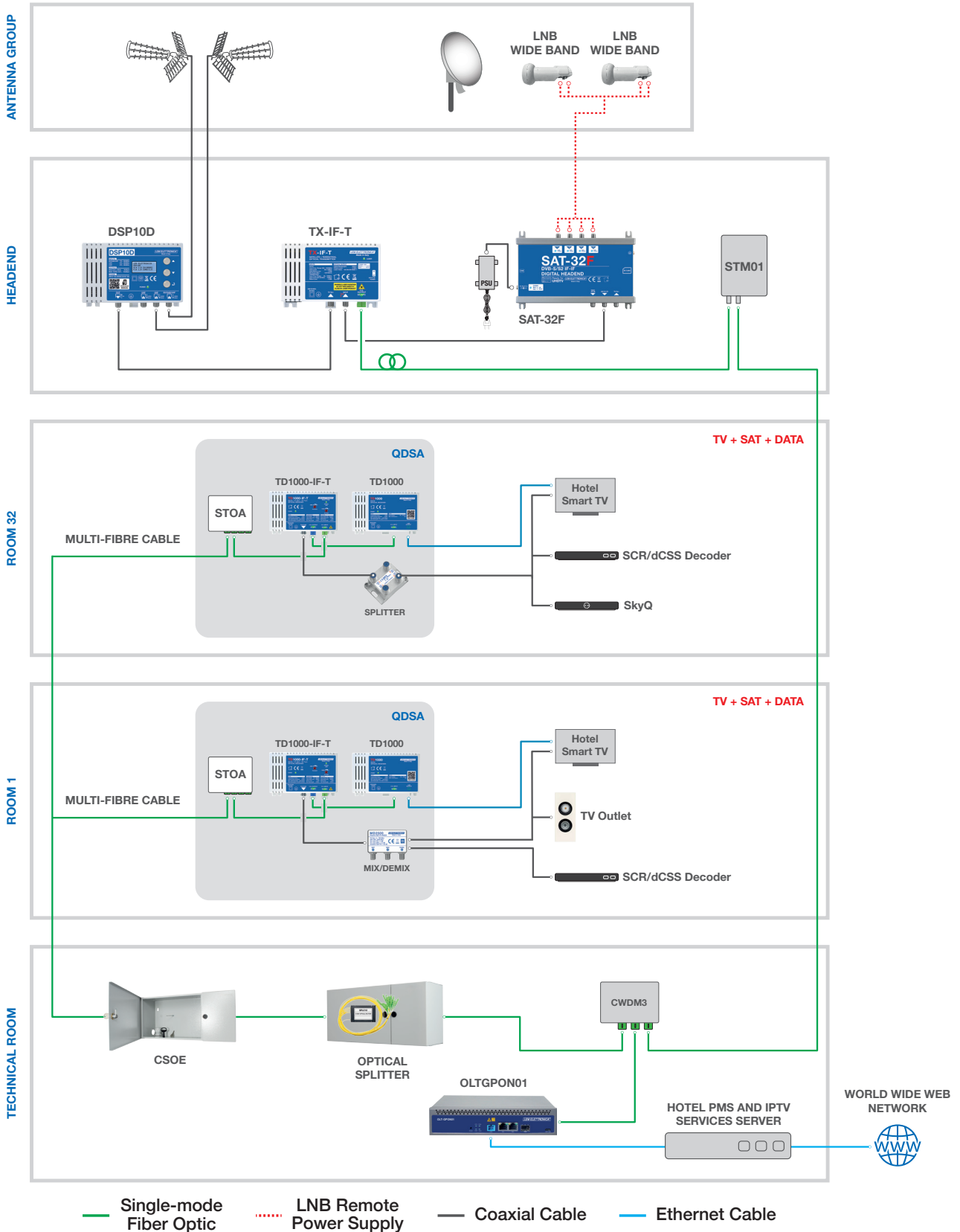
System Diagram



TV + DATA DISTRIBUTION

Hospitality system diagram with single-fibre optical distribution of Terrestrial TV signals and data line for access to hotel PMS and IPTV services.

System Diagram



TV + SAT-IF + DATA DISTRIBUTION

Hospitality system diagram with single-fibre optical distribution of terrestrial TV, satellite TV and data line for access to hotel PMS and IPTV services.

LEM ELETTRONICA srl

Via Grezze, 38 - 25015 Desenzano d/G Italy Tel. +39 0309120006 info@lemeletronica.it

