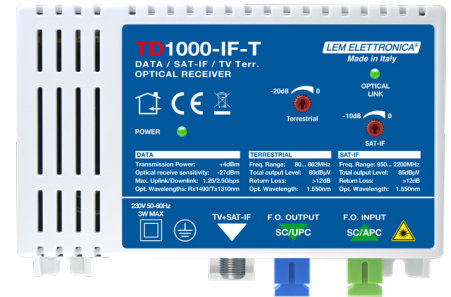


TD1000-IF-T

Optical receiver for IP, TV and SAT-IF services

- ✓ **SC/APC optical input**
- ✓ **SC/UPC optical output with integrated WDM**
- ✓ **Separate terrestrial TV and SAT-IF amplifiers**
- ✓ **Wall-mountable or DIN rail bar**
- ✓ **Self power source 100... 240V**
- ✓ **Compatible with ONT from other brands**



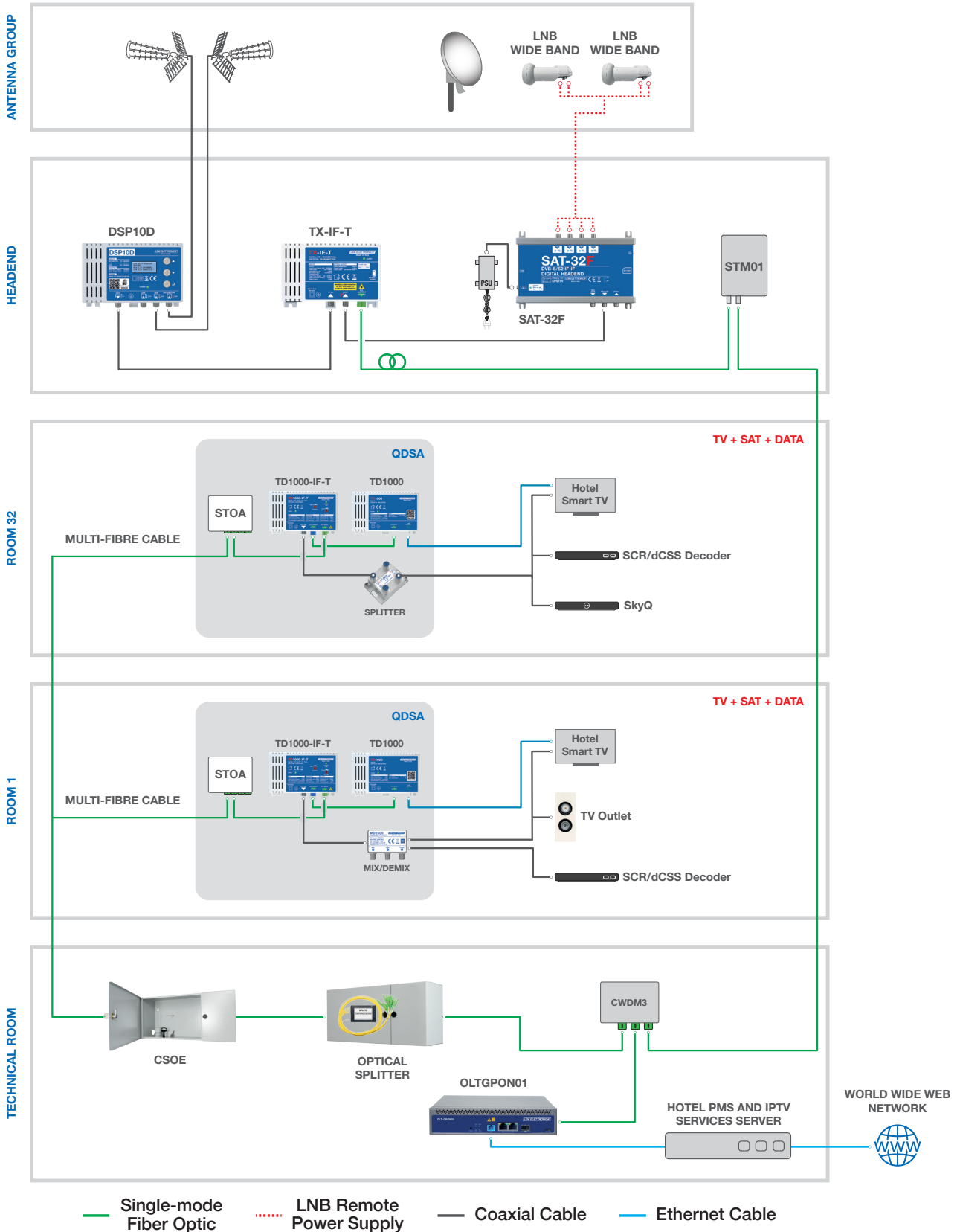
Professional optical receiver for receiving IP services from a GPON network, Terrestrial TV broadcasts, FM/DAB radio signals and SAT-IF over a single optical fibre.

Ready for
UHDTV

5
WARRANTY YEARS

MODEL	TD1000-IF-T	
DESCRIPTION		DATA / TV / SAT-IF
N° OPTICAL CONNECTORS	n°	1x SC/UPC - 1x SC/APC
WDM		
OPTICAL WAVELENGTHS	nm	Rx 1.490 / Tx 1.310
SATELLITE		
OPTICAL WAVELENGTH	nm	1.550
OUTPUT BANDWIDTH	MHz	950... 2.200
OUTPUT LEVEL (Adjustable)	dB	0... -12
MAX. OUTPUT LEVEL	dBµV	85
TV TERR./FM/DAB		
OPTICAL WAVELENGTH	nm	1.550
OUTPUT BANDWIDTH	MHz	80... 862
OUTPUT LEVEL (Adjustable)	dB	0... -20
MAX. OUTPUT LEVEL	dBµV	105
COMMON		
INPUT VOLTAGE		100... 240VAC - 50/60Hz
MAX. CONSUMPTION	W	3
TEMPERATURE RANGE	°C	0... 50
DIMENSIONS	mm	135x91x45

System Diagram



TV + SAT-IF + DATA DISTRIBUTION

Hospitality system diagram with single-fibre optical distribution of terrestrial TV, satellite TV and data line for access to hotel PMS and IPTV services.

LEM ELETTRONICA srl

Via Grezze, 38 - 25015 Desenzano d/G Italy Tel. +39 0309120006 info@lemelettronica.it

