

DSP20evo

Programmable Multiband Amplifier

- ✓ **Total output level max 100dBμV**
- ✓ **≥50dB digital filters on adjacent channels**
- ✓ **Single filter selectable bandwidth**
- ✓ **Dual-stage input pre-amplifiers**
- ✓ **LTE 700 filters for 4/5G interference protection**
- ✓ **UHF4 input 21-48 / 21-69**
- ✓ **Auto-tuning for automatic channel scanning**
- ✓ **USB port for updates and programming from App**



Multi-input amplifier unit with programmable digital filters for equalisation and frequency conversion of DVB-T/T2 digital terrestrial MUXs. **DSP20evo is Ideal for fibre-optic installation.**



TECHNICAL SPECIFICATIONS		
NUMBER OF INPUTS	5	1 FM; 3 UHF; 1 DAB/B3-UHF
FM INPUT FREQUENCY RANGE	MHz	FM (87,5... 108);
UHF1	MHz	470... 694
UHF2	MHz	470... 694
UHF3	MHz	470... 694
DAB/B3-UHF4	MHz	170... 240; 470... 694/862
SINGLE CHANNEL FILTERS		32
NUMBER OF CHANNEL PER FILTERS		1 (with channel to channel conversion)
INPUT LEVEL RANGES	dBμV	FM 35... 90 - B3/DAB 40... 110 - UHF 45... 110
FILTERS SELECTIVITY	dB	≥50 (Adjacent channels)
AUTOMATIC CONTROL GAIN RANGE	dB	40 dB
VHF/UHF INPUTS AMPLIFIER GAIN		OFF / +15 / +30
FM GAIN	dB	10 (Adjustable 0... -30dB)
VHF GAIN	dB	40
UHF GAIN	dB	48
SELECTABLE FILTERS BANDWIDTH		Standard (8MHz) / Narrow (-500KHz) / Wide (+750MHz)
OUTPUT LEVEL RANGE	dBμV	70... 90
UHF ADJUSTABLE SLOPE	dB	0... -10 (1 dB step)
VHF ADJUSTABLE OUTPUT	dB	0... -10 (1 dB step)
MAX TOTAL VHF-UHF OUTPUT LEVEL	dBμV	100 DIN 45004B
INPUTS REMOTE POWER		12V / 24V 100 mA
RETURN LOSS IN/OUT	dB	>12
AMPLIFIER POWERING		100...240VAC 50/60Hz (External power supply 15VDC / 1,25A)
MAX AMPLIFIER CONSUMPTION	W	8
MAX AMPLIFIER CONSUMPTION + REMOTE POWER	W	10
OPERATING TEMPERATURE	°C	-5... 50
DIMENSIONS	mm	193 x 149 x 36

Special Features

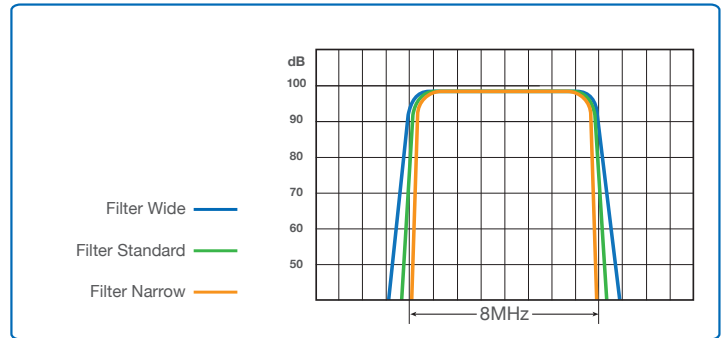
Optimised filters

Three different filters are available, with different bandwidths and shoulder slopes. For each selected channel, it is possible to select the pre-defined filter best suited to the channel's reception conditions.

Standard: 8 MHz.

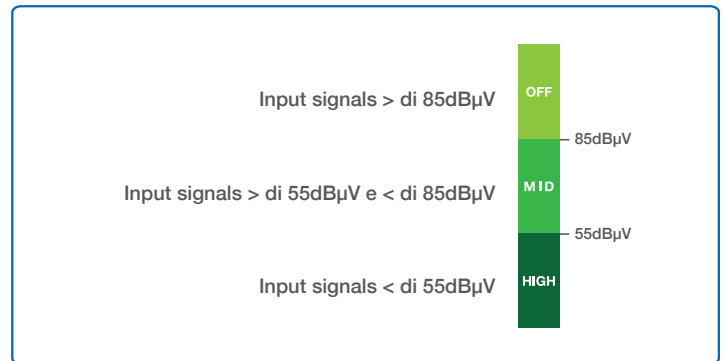
Narrow: 8MHz -500KHz

Wide: 8MHz +750KHz



Two-stage input amplifiers

All inputs dedicated to digital terrestrial signals are equipped with two-stage input amplifiers that can be configured to provide three different operating windows. This feature makes it possible to receive signals at very low levels without the need for active antennas or external amplifiers.



Three Programming Options



Direct Programming

All parameters and functions are easily managed via keys and an integrated 24-character display.



Android and Windows programming

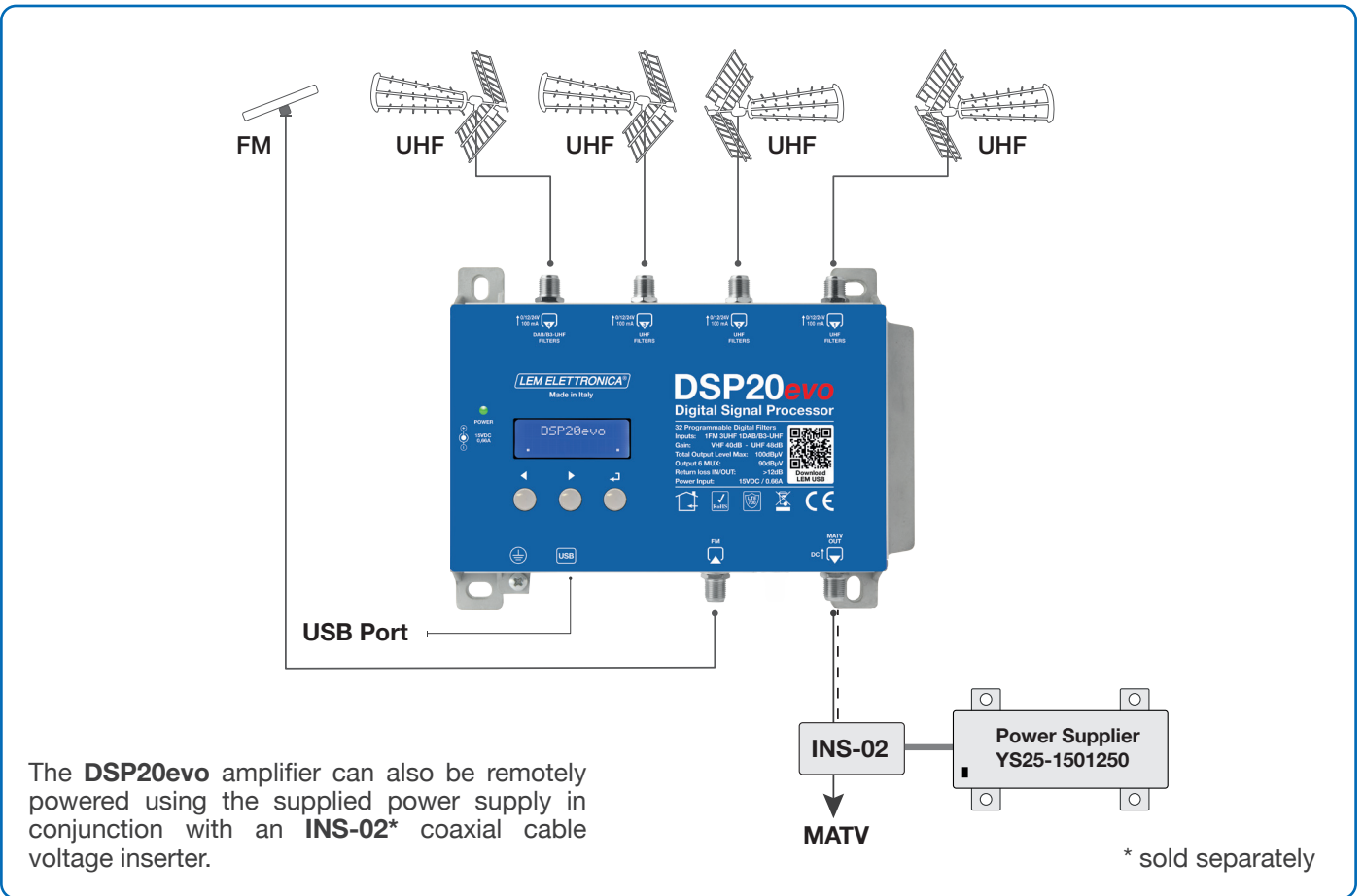
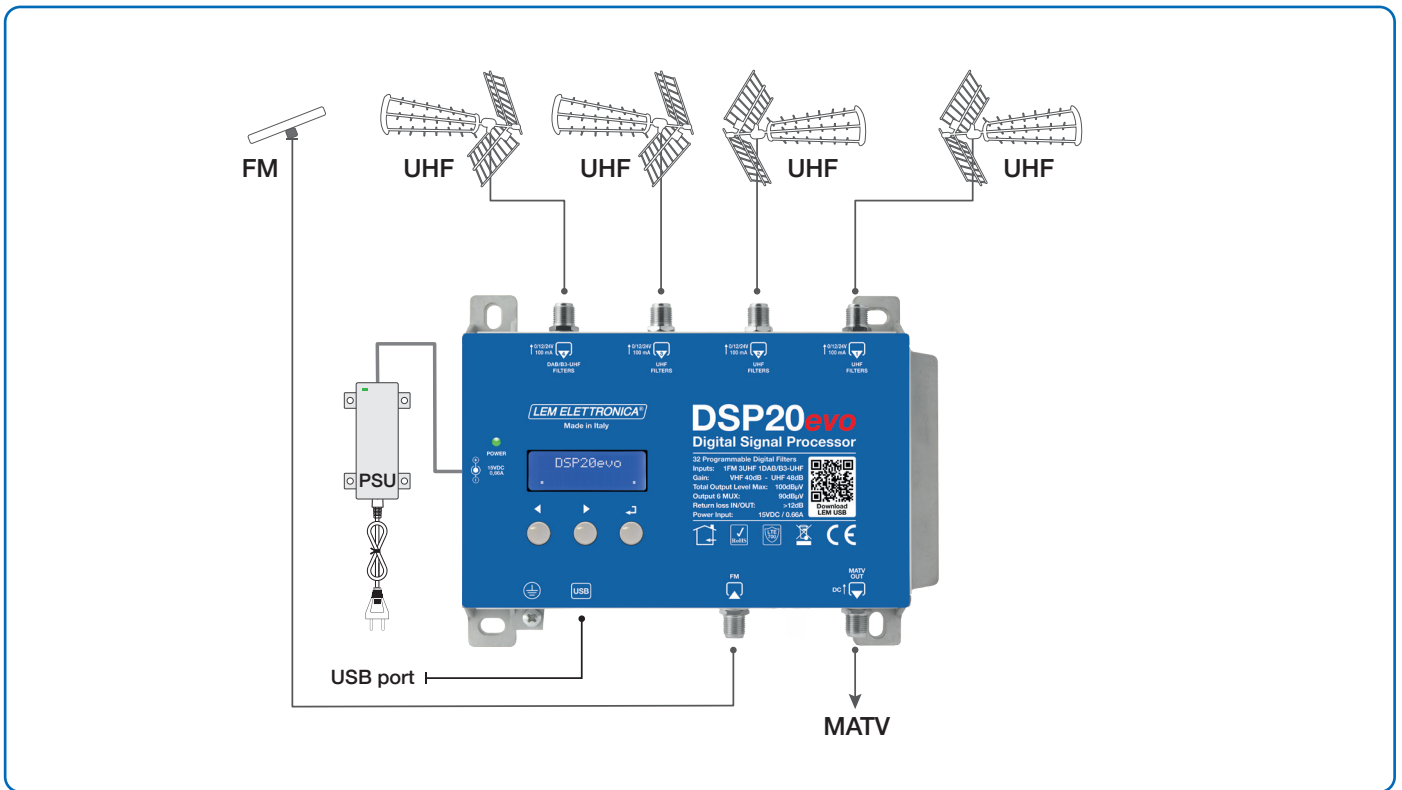
The new LEM USB application is available free of charge for Android and Windows operating systems. All configuration and file storage operations are now easier and more intuitive.



AutoTuning channels scanning

A new auto-tuning feature is available for automatic channel scanning and storage, which identifies the channels received by the antennas even faster and more accurately.

Connection Diagram



The **DSP20evo** amplifier can also be remotely powered using the supplied power supply in conjunction with an **INS-02*** coaxial cable voltage inserter.

* sold separately

