

DSP35

Programmable Multiband Amplifier

- ✓ **Can be remotely power by the coaxial cable***
- ✓ **32 High Selectivity channel filters with ACG**
- ✓ **Lte 5G SAW filter inputs protection**
- ✓ **DTT channel AutoTuning function**
- ✓ **Die casting zamak chassis**
- ✓ **External power supply**
- ✓ **On board and Windows/Android fully programmable**



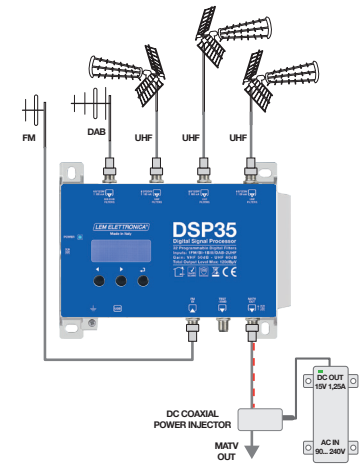
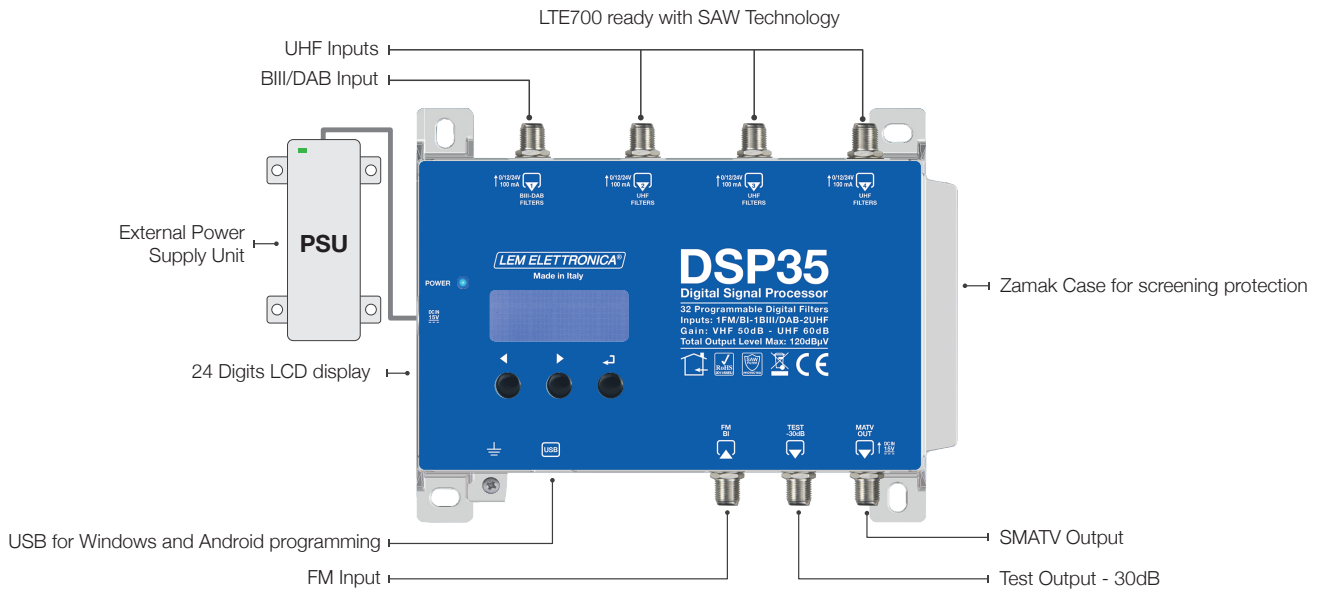
Programmable compact multi-input multiband amplifier to digitally filter, convert and equalize DVB-T / T2 channels. The built in high output amplifier allow the use in small and medium multi dwelling units.

* Require DC coaxial injector sold separately



MODEL		DSP35
NUMBER OF INPUTS		5
INPUTS FREQUENCY RANGE	MHz	FM (40... 108) BIII (170... 230) / DAB (170... 240) UHF (470... 694)
LTE PROTECTION		LTE700
SINGLE CHANNEL FILTERS		32
NUMBER OF CHANNEL PER FILTERS		1... 2
INPUT LEVEL RANGE	dBµV	FM 35... 90 - BIII/DAB 45... 110 - UHF... 45... 100
BI/FM INPUT ATTENUATOR	dB	0/-12/-24
BIII/DAB INPUT AMPLIFIER	dB	0/+20 (OFF/ON)
UHF INPUT AMPLIFIER		0/+10 (OFF/ON)
BIII/DAB - UHF INPUTS A.C.G. RANGE	dB	40 dB
DIGITAL FILTERS SELECTIVITY	dB	35 @1MHz
VHF GAIN	dB	58
UHF GAIN	dB	68
OUTPUT LEVEL RANGE	dBµV	93... 113
BIII/DAB ADJUSTABLE SLOPE	dB	0... -10
UHF ADJUSTABLE SLOPE	dB	0... -5
MAX VHF-UHF OUTPUT LEVEL	dBµV	120 (IM3 DIN 45004B - 60 dBc)
MAX OUTPUT LEVEL WITH 6 MUX	dBµV	113
RETURN LOSS IN/OUT	dB	>12
TEST OUTPUT		(-30 dB)
USB CONNECTOR		USB 1.0 / 2.0 Type B
REMOTE POWER SUPPLY VHF-UHF		12V / 24V 100 mA
MAXIMUM CONSUMPTION		15Vcc 0,53A - 8W
OPERATING TEMPERATURE	°C	-5... 50
DIMENSIONS	mm	193 x 148 x 36

Connection Diagram



AutoTuning Function

For faster programming operations just run the AutoTuning function and in few seconds DVB-T/T2 channels will be detected by level and a filter will be automatically allocated for each MUX.

DSP35 power supply through the MATV OUT.

Three different programming mode



Direct Programming

All settings can be selected and adjusted with the easy to use built-in 24 digits display.



Windows Application Programming

PC Windows can easily be used to setup, store and retrieve all settings through a standard USB cable.



Android Application Programming

Android tablet or smart phone supporting USB OTG mode can be used to setup, store and retrieve all settings.