








DSP40pro

Programmable Multiband Amplifier

-  Programmable by LCD Display
-  USB for Android and Windows programming App.
-  32 High Selectivity channel filters with ACG
-  Selectable Lte 4G/5G SAW filters
-  DTT channel level AutoTuning function
-  External power supply
-  Die casting zamak chassis

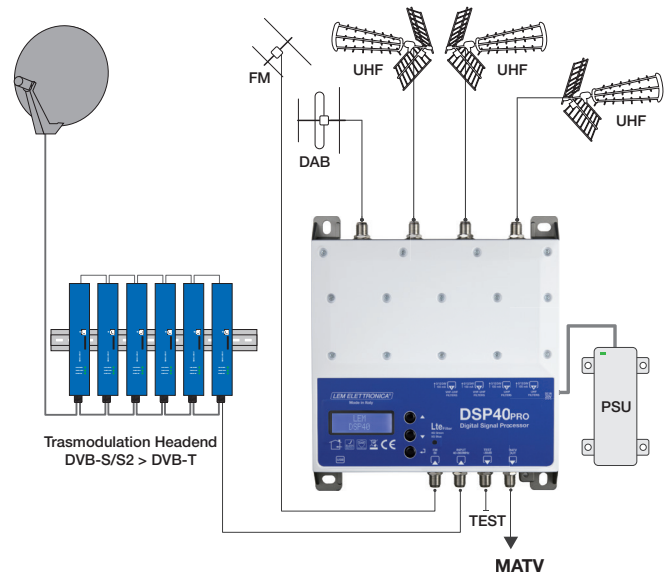
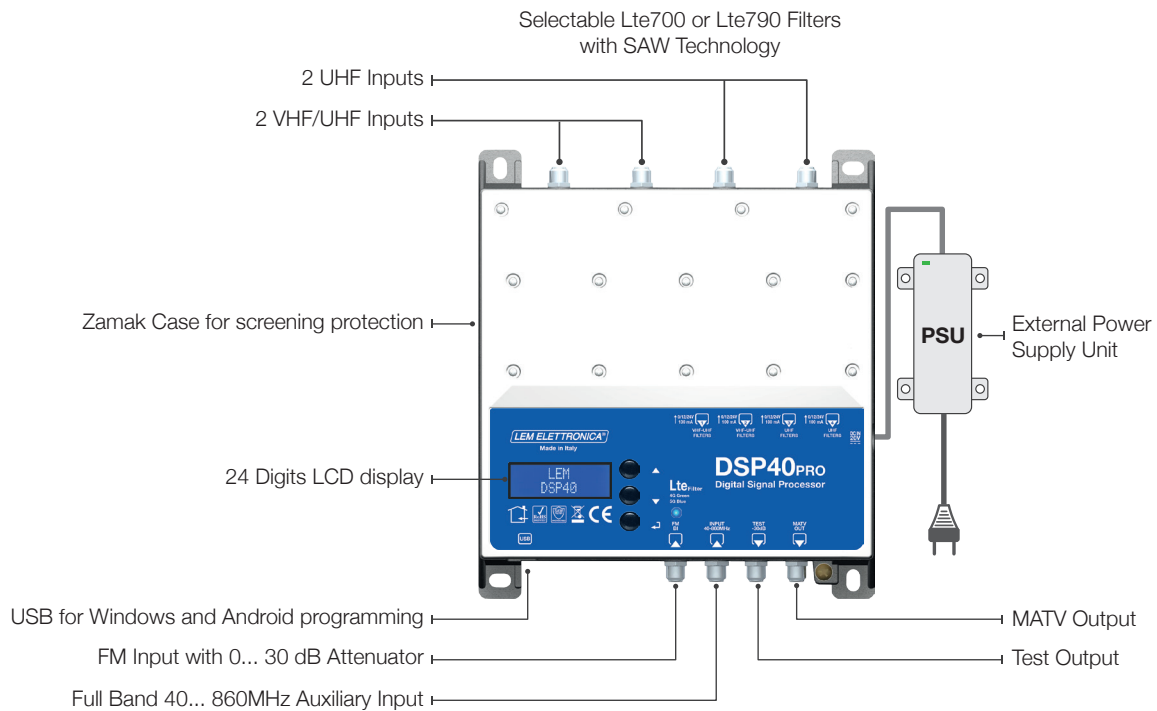


High selectivity programmable headend to digitally filter, convert and equalize DVB-T / T2 channels. The built in high output amplifier allow the use in medium and large multi dwelling units.



MODEL		DSP40PRO
NUMBER OF INPUTS		6
INPUTS FREQUENCY RANGE	MHz	FM (40... 108) BIII (170... 320) / DAB (170... 340) UHF 470... 694/790/862 (Selectable) AUX (40... 862)
SINGLE CHANNEL FILTERS		32
NUMBER OF CHANNEL PER FILTERS		1... 2
INPUT LEVEL RANGE	dBμV	FM 35... 90 - BIII/DAB 45... 110 - UHF... 45... 110
FM INPUT ATTENUATOR	dB	FM 0...-30
BIII-DAB / UHF ATTENUATORS	dB	0... -20
A.C.G. RANGE	dB	40 dB
SELECTIVITY	dB	35 @1MHz
BI/FM GAIN	dB	45
AUX GAIN	dB	40
VHF GAIN	dB	60
UHF GAIN	dB	70
OUTPUT LEVEL RANGE	dBμV	96... 116
MAX TOTAL OUTPUT LEVEL	dBμV	124 (IM3 DIN 45004B - 60 dBc)
RETURN LOSS IN/OUT	dB	>12
TEST OUTPUT		1 (-30 dB)
USB CONNECTOR		USB 1.0 / 2.0 Type B
REMOTE POWER SUPPLY VHF-UHF		12V / 24V 100 mA
POWER SUPPLY		230 VAC +/-20% 12W
OPERATING TEMPERATURE	C°	-5... 50
DIMENSIONS	mm	192 x 217 x 37

Connection Diagram



AutoTuning Function

For faster and easier programming operations just run the AutoTuning function and in few seconds DVB-T/T2 channels will be detected by level and a filter will be automatically allocated for each MUX.

Three different programming mode



Direct Programming

All settings can be selected and adjusted with the easy to use built-in 24 digits display.



Windows Application Programming

PC Windows can easily be used to setup, store and retrieve all settings through a standard USB cable.



Android Application Programming

Android tablet or smart phone supporting USB OTG mode can be used to setup, store and retrieve all settings.