

MSP2

NFC-Programmable Masthead amplifier

- ✓ Automatic programming or via NFC.
- ✓ App available for iOS and Android
- ✓ 32 High Selectivity channel filters with ACG
- ✓ Lte700 4G/5G filter technology protection
- ✓ Die casting zamak chassis
- ✓ Mast rain proof protective housing



Masthead amplifier for the amplification of terrestrial signals coming from several antennas.

The all parameters (channel filters, output level, slope, etc...) are managed by a smartphone App (Android or iOS) in a friendly and intuitive environment. The configurations can be saved and recalled in the smartphone memory - even without being connected to the amplifier.

The amplifier is powered through the output coaxial cable with 12 Vdc.

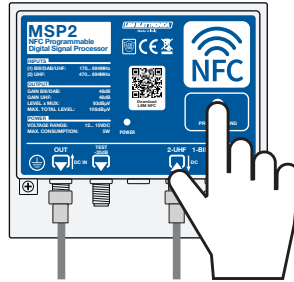


MODEL		MSP2
NUMBER OF INPUTS		1xBIII/DAB/UHF / 1xUHF
INPUTS FREQUENCY RANGE	MHz	BIII (170... 230) / DAB (170... 240) UHF (470... 694)
LTE PROTECTION		LTE 700
SINGLE CHANNEL FILTERS		32
NUMBER OF CHANNEL PER FILTERS		1 (with channel to channel conversion)
COMMUNICATION STANDARD		NFC (Near Field Communication)
MAXIMUM INPUT LEVEL	dBμV	FM 35... 90 - BIII/DAB 45... 100 - UHF 45... 90
BIII/DAB/UHF INPUT PRE-AMPLIFIER	dB	OFF=0 / ON=+16
AUTOMATIC GAIN CONTROL RANGE	dB	40 dB
DIGITAL FILTERS SELECTIVITY	dB	≥50 (adjacent channels)
BIII/DAB GAIN	dB	48
UHF GAIN	dB	48
OUTPUT LEVEL RANGE (x MUX)	dBμV	73... 93
BIII/DAB LEVEL ADJUSTMENT		0... -10
UHF SLOPE ADJUSTMENT	dB	0... +5
MAX TOTAL OUTPUT LEVEL	dBμV	108
RETURN LOSS IN/OUT	dB	>10
INPUTS REMOTE POWER SUPPLY		12V / 50mA
INPUT VOLTAGE	V	12... 15
MAXIMUM CONSUMPTION	W	5
OPERATING TEMPERATURE	°C	-15... 40
MAXIMUM MAST SIZE	mm	Ø 60
DIMENSIONS	mm	129 x 128,5 x 51,5

Programming & Connection diagram

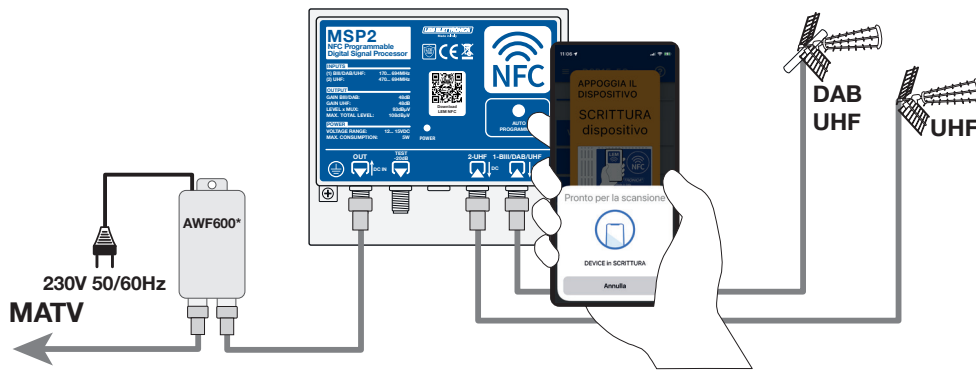
AUTO-TUNING automatic channel search

After connecting the antennas, simply press and hold the **AUTO PROGRAMMING** button for 5 seconds to automatically start scanning the signals received on each input.



Manual Programming

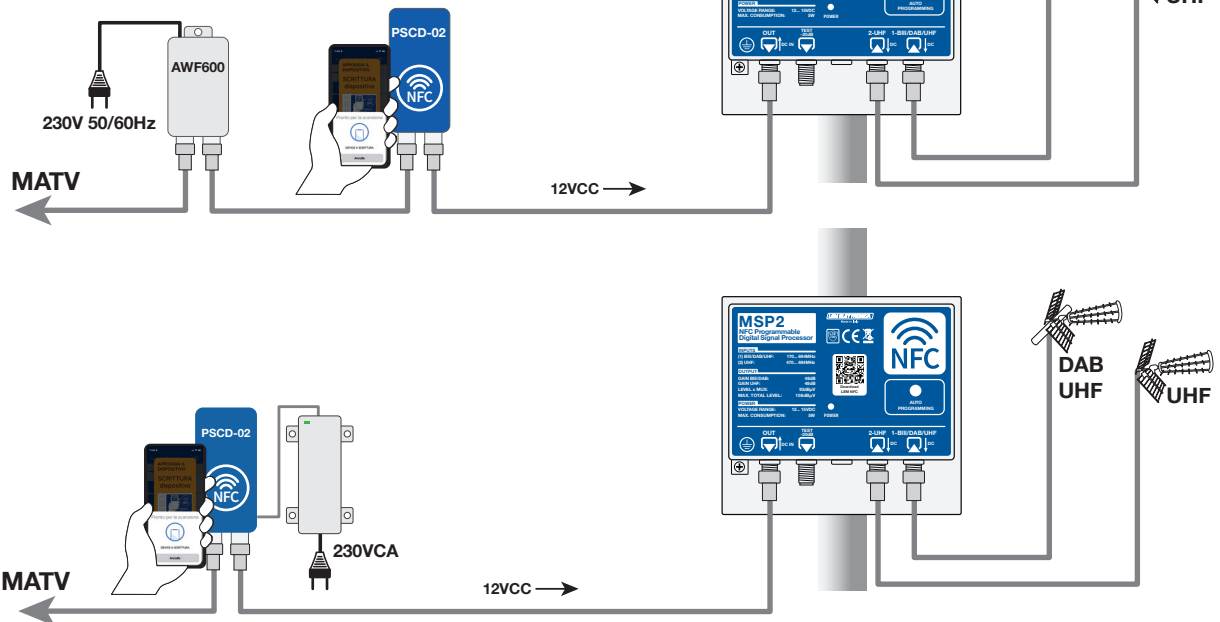
With the **LEM NFC** smartphone application, you can have access to the configuration of all the control panel parameters in a simple and intuitive way. The connection to the **MSP2** control panel occurs without contact via **NFC** by bringing the smart phone close to the control panel.



* Sold separately

Remote Programming

The **PSCD-02*** programmer allows remote programming via the coaxial cable used for distribution. Power for the **MSP2** amplifier can be supplied from an external source such as the **AWF600*** power supply or directly via the programmer itself.



* Sold separately

