

DSP15-5G V2

Programmable TV terrestrial multiband amplifier

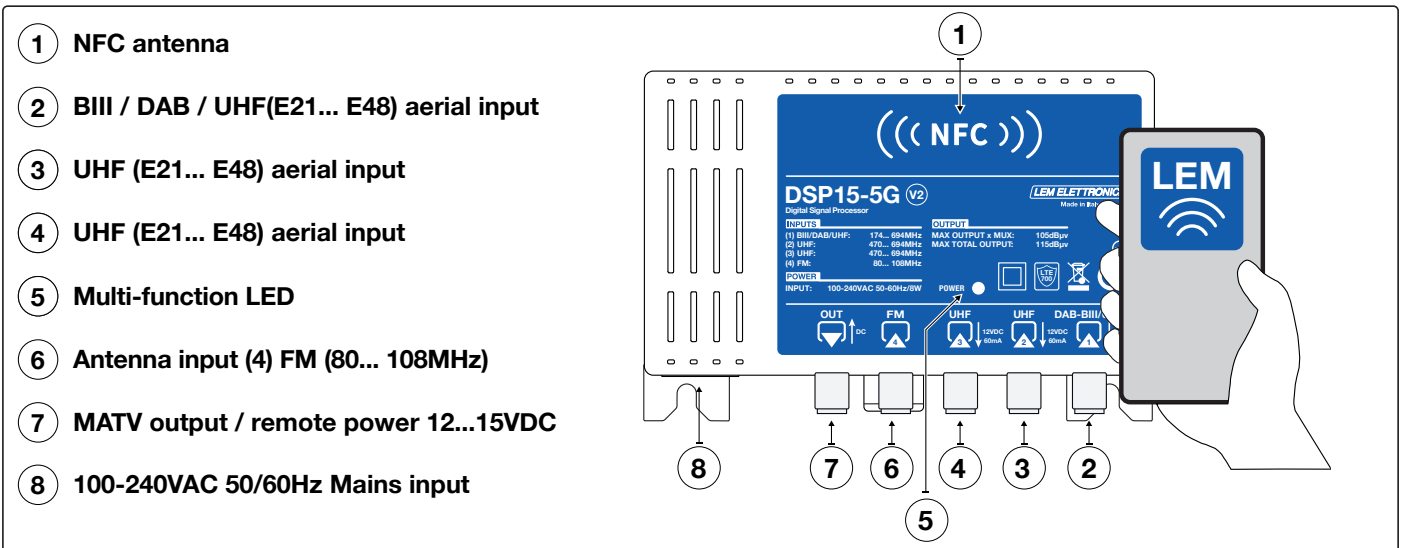
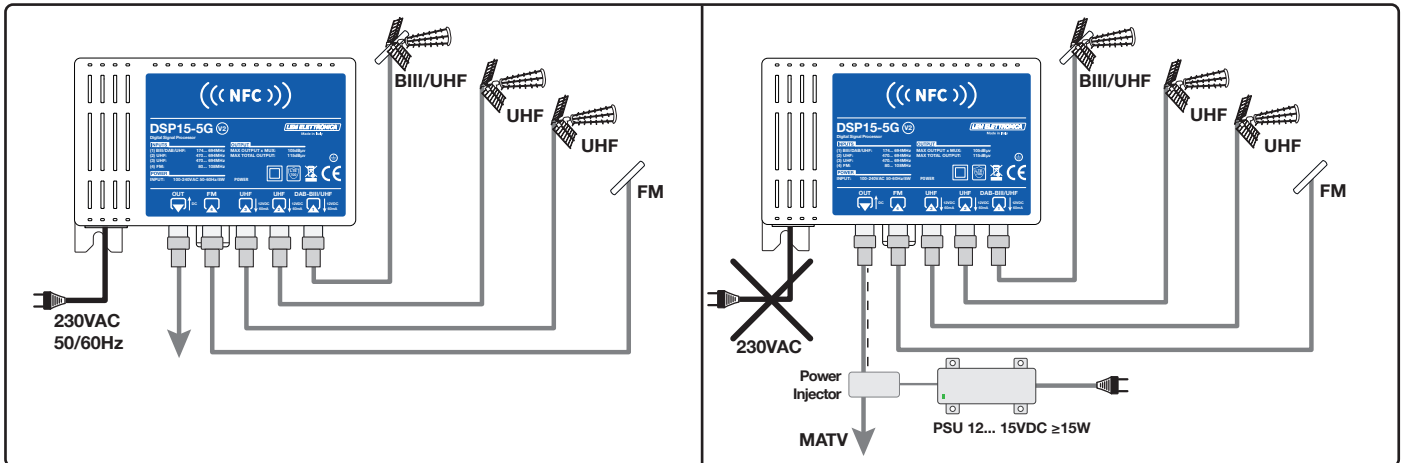
Installation and start-up

- 1 Connect an earth wire to grounding clamp
- 2 Connect the TV aerial(s) to the amplifier's inputs
- 3 Connect the MATV output and terminate the unused inputs with 75Ω loads
- 4 Power up the amplifier connecting the power cord to mains plug

Antenna remote power error



If **LED POWER** remains fixed red there is an antenna input short circuit or over current. Please check the input(s) with the remote power supply activated and remove the issue.



Installation and safety instructions

- Do not use this product for uses that are different from those for which it has been designed.
- The product must not come into contact with water or be wetted by liquids.
- To avoid the risk of fire or electrocution, do not expose the product to rain or moisture.
- When installing in a cabinet or recessed compartment, provide adequate ventilation.
- Do not use the product at environmental temperatures more than 40°C.
- Do not touch the appliance with wet or humid parts of the body.
- After removing the product from its packaging ensure that it is complete and undamaged; if in doubt, contact (authorised dealer or manufacturer) immediately.
- Prepare the connection to the power supply in accordance with the regulations in force in the country of installation and in such a way that it can be easily disconnected.
- Immediately contact a qualified person (authorised dealer or the manufacturer) if the product is dropped or knocked to check its correct functioning.
- The product can be connected to the supply mains only if the voltage and the frequency of the supply mains correspond to those indicated on the data table.
- To avoid the risk of fire do not using the product in the presence of inflammable substances and vapours, such as alcohol, insecticides, petrol, ect..
- In the event of a fault, do not attempt to repair the product as this will invalidate the warranty.

Description of symbols and electrical safety



The equipment complies with the CE requirements



The equipment is compliant with RoHS 2011/65/EU



Equipment grounding terminal



Dispose according to local authorities recycling processes

Programming

To program a **DSP15-5G** a smartphone supporting **NFC** technology is required.

NFC (Near Field Communication) communication standard allows the bidirectional contactless communication between two devices.

Minimum requirements for Smart Phone Apple

iOS 13
iPhone 7

Download the App **LEM NFC** from Apple Store or scan the QR code with the smartphone



LEM NFC for iOS



Minimum requirements for Smart Phone Android


Android 5
Android 11 Recommended

Download the App **LEM NFC** from Google Play or scan the QR code with the smartphone




LEM NFC for Android

Write a configuration from smart phone to DSP15-5G

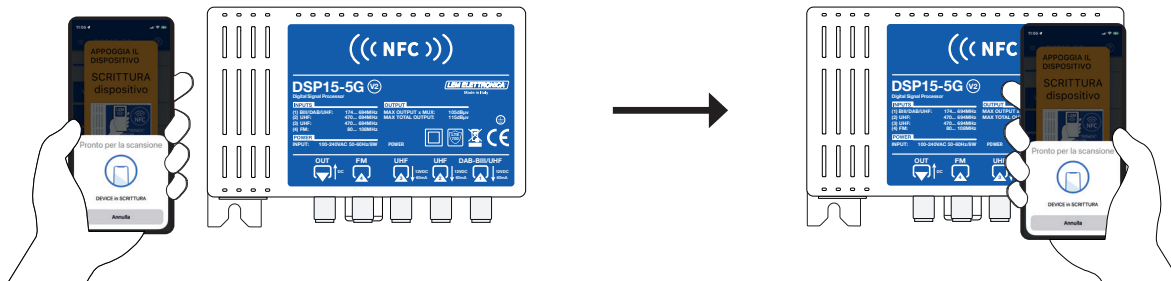
- 1_Launch the application **LEM NFC** and select the amplifier model
- 2_Setup all the appropriate parameters and settings
- 3_Press **WRITE**  and place the smartphone over the NFC antenna icon keeping it still until the transmission ends (about 5 sec.)

Android smartphones need NFC enabled

Read a configuration from DSP15-5G to smart phone

- 1_Launch the application **LEM NFC** and select the amplifier model
- 2_Press **READ**  and place the smartphone over the NFC antenna icon keeping it still until the transmission ends (about 1 sec.)

Reading is possible even with the DSP15-5G turned off



Technical specifications

| | | |
|------------------------------------|--------------|--|
| NUMBER OF INPUTS | | 1xFM / 1xDAB/BIII/UHF / 2xUHF |
| INPUTS FREQUENCY RANGE | MHz | FM (80... 108) - BIII (170... 230)/DAB (170... 240) - UHF (470... 694) |
| LTE PROTECTION | | LTE 700 |
| SINGLE CHANNEL FILTERS | | 32 |
| NUMBER OF CHANNEL PER FILTERS | | 1 (with channel to channel conversion) |
| COMMUNICATION STANDARD | | NFC (Near Field Communication) |
| INPUT LEVEL RANGE | dB μ V | FM 35... 90 - BIII/DAB 45... 100 - UHF 45... 90 |
| BIII/DAB/UHF INPUT PRE-AMPLIFIER | dB | OFF= 0 / ON= +16 |
| BIII/DAB - UHF INPUTS A.C.G. RANGE | dB | 40 dB |
| DIGITAL FILTERS SELECTIVITY | dB | \geq 50 Adjacent channels |
| FM GAIN | dB | -10/+15 |
| BIII/DAB GAIN | dB | 40... 50 |
| UHF GAIN | dB | 60 |
| TOTAL OUTPUT LEVEL RANGE | dB μ V | 85... 105 |
| ADJUSTABLE SLOPE | dB | 0... +5 |
| MAX TOTAL OUTPUT LEVEL | dB μ V | 115 |
| OUTPUT LEVEL WITH 6 MUX | dB μ V | 105 |
| RETURN LOSS IN/OUT | dB | >10 |
| AERIAL INPUTS REMOTE POWERING | | 12V/ 60mA |
| INPUT VOLTAGE | | 100-240VAC 50/60Hz |
| MAXIMUM CONSUMPTION | W | 8 |
| OPERATING TEMPERATURE | $^{\circ}$ C | -15... 40 |
| DIMENSIONS | mm | 135 x 91 x 44 |

LEM ELETTRONICA srl

Via Grezze, 38 - 25015 Desenzano d/G Italy Tel. +39 0309120006 info@lemeletronica.it

