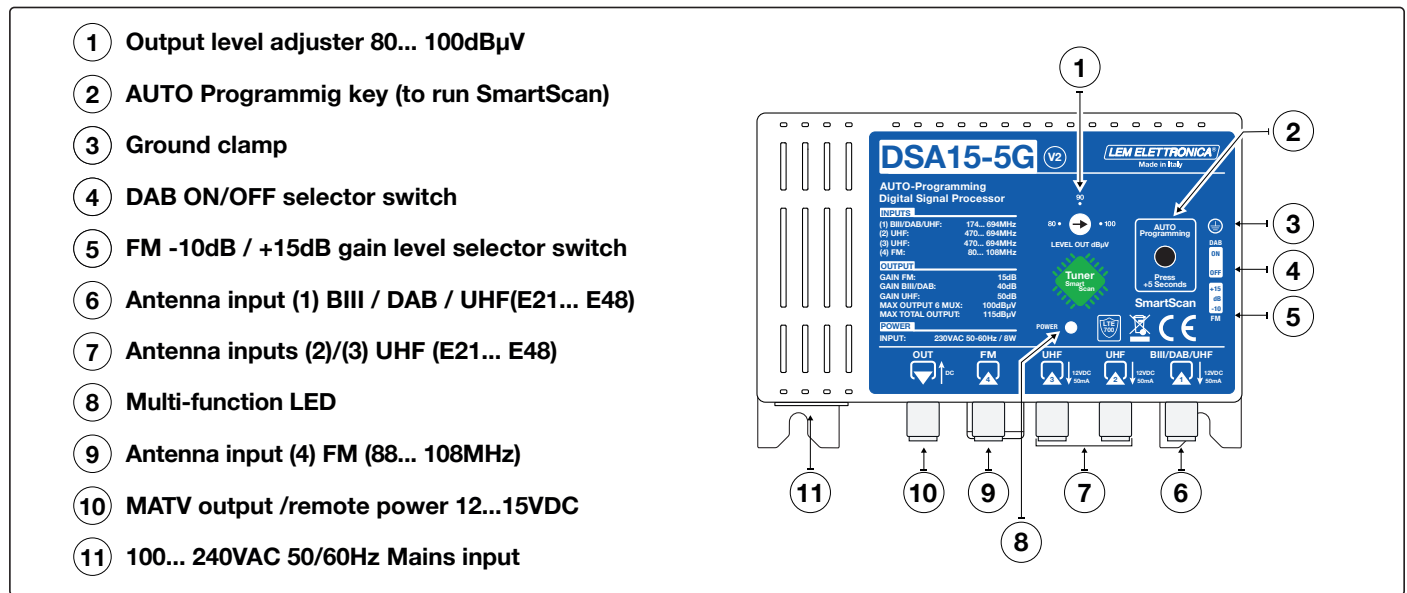


## Automatic Programming TV terrestrial multiband amplifier



### Installation and start-up

- 1 Connect an earth wire to grounding clamp.
- 2 Connect the TV aerial(s) to the amplifier's inputs.
- 3 Connect the MATV output and terminate the unused inputs with 75 $\Omega$  isolated loads.
- 4 Power up the amplifier connecting the power cord to mains plug.

### Programming and output level setup

- 1\_Keep (+ 5 seconds) the **AUTO Programming** key pressed until the **LED Power** start to blink red/green.
- 2\_The amplifier will start the channel (MUX) search for the connected inputs and the **LED Power** blinking red/green will indicate that DVB-T/T2 channels are scanned by the internal tuner-demodulator. When the search is complete and the channel are stored the **LED Power** will turn to fixed green.
- 4\_The output level can be manually adjusted operating on the trimmer **LEVEL OUT**.

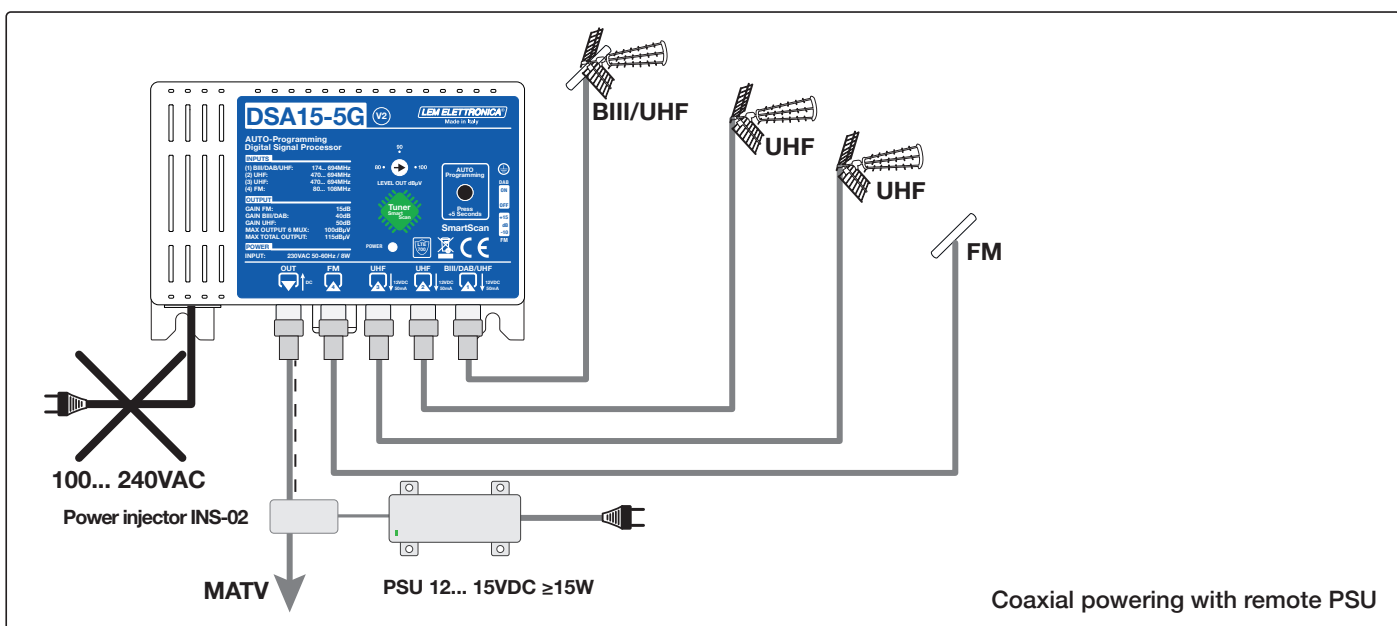
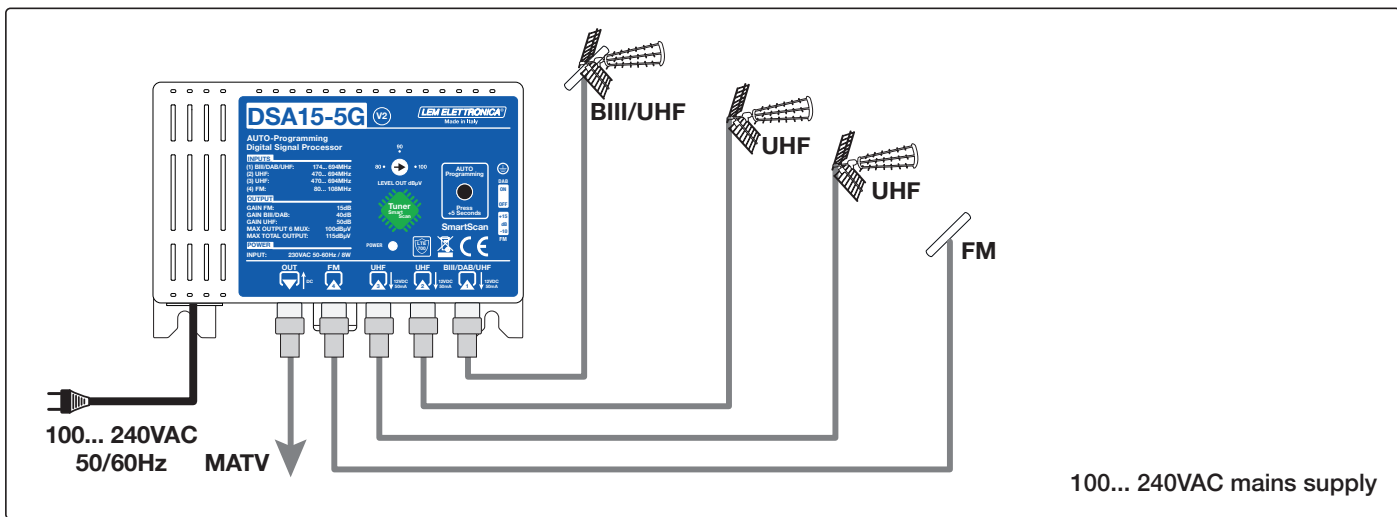
### Antenna remote power error



If **LED POWER** remains fixed red there is an antenna input short circuit or over current. Please check the input(s) and remove the issue.

### Technical specifications

NUMBER OF INPUTS		1xFM / 1xBIII/DAB/UHF / 2xUHF
INPUTS FREQUENCY RANGE	MHz	FM (88... 108) BIII (170... 230) / DAB (170... 240) UHF (470... 694)
LTE PROTECTION		LTE 700
SINGLE CHANNEL FILTERS		32
NUMBER OF CHANNEL PER FILTERS		1
MAXIMUM INPUT LEVEL	dB $\mu$ V	FM 90 - BIII/DAB 100 - UHF 100
VHF-UHF A.C.G. RANGE	dB	40 dB
DIGITAL FILTERS SELECTIVITY	dB	$\geq 50$ (Adjacent Channels)
FM GAIN	dB	-10/+15 (selectable)
BIII/DAB GAIN	dB	40
UHF GAIN	dB	50
OUTPUT LEVEL RANGE (x MUX)	dB $\mu$ V	80... 100 (adjustable)
RETURN LOSS IN/OUT	dB	>10
ANTENNA INPUT REMOTE POWER SUPPLY		12V / 50mA
INPUT VOLTAGE	V	100... 240VAC 50/60Hz
MAXIMUM CONSUMPTION	W	8
OPERATING TEMPERATURE	$^{\circ}$ C	-15... 40
DIMENSIONS	mm	135 x 91 x 44





## Safety instructions


1. Do not expose the amplifier to extreme temperatures.
2. Place the amplifier in a dry and well-aired location.
3. Install the unit on a vertical wall, or in a waterproof cabinet with a minimum IP55 rating, and fix it safely.
4. Connect the power adapter cord to a detachable power supply socket.

## DESCRIPTION OF SYMBOLS AND ELECTRICAL SAFETY

 The equipment complies with the CE requirements

 Equipment grounding terminal

 The equipment is compliant with RoHS 2011/65EU

 Dispose according to local authorities recycling processes

**LEM ELETTRONICA srl**

Via Grezze, 38 - 25015 Desenzano d/G Italy Tel. +39 0309120006 info@lemelettronica.it

