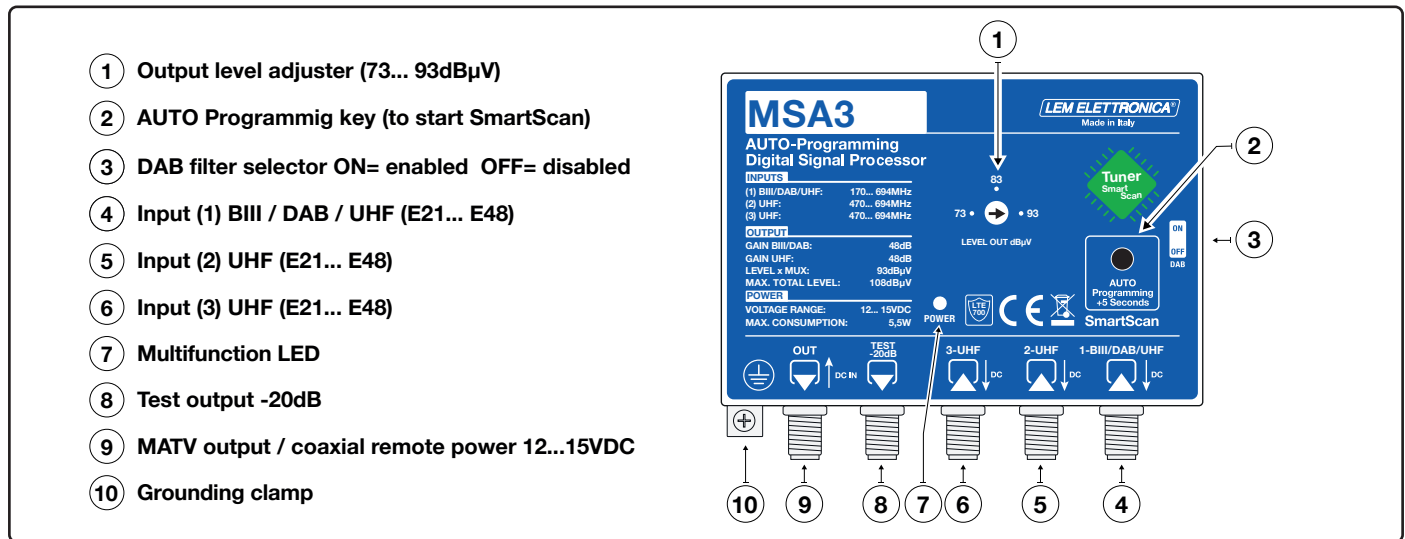


# MSA3

Automatic Programming TV terrestrial multi-input mast amplifier



## Installation and start-up

- 1 Connect an earth wire to grounding clamp.
- 2 Connect the TV aerial(s) to the amplifier's inputs.
- 3 Connect the MATV output.
- 4 Power up the amplifier connecting to MATV output a proper coaxial power supply.

## Programming and output level setup

- 1\_Keep (+ 5 seconds) the **AUTO Programming** key pressed until the **LED Power** start to blink red/green.
- 2\_The amplifier will start the channel (MUX) search for the connected inputs and the **LED Power** blinking red/green will indicate that DVB-T/T2 channels are scanned by the internal **tuner-demodulator**. When the search is complete and the channel are stored the **LED Power** will turn to fixed green.
- 4\_The output level can be manually adjusted operating on the trimmer **LEVEL OUT**.

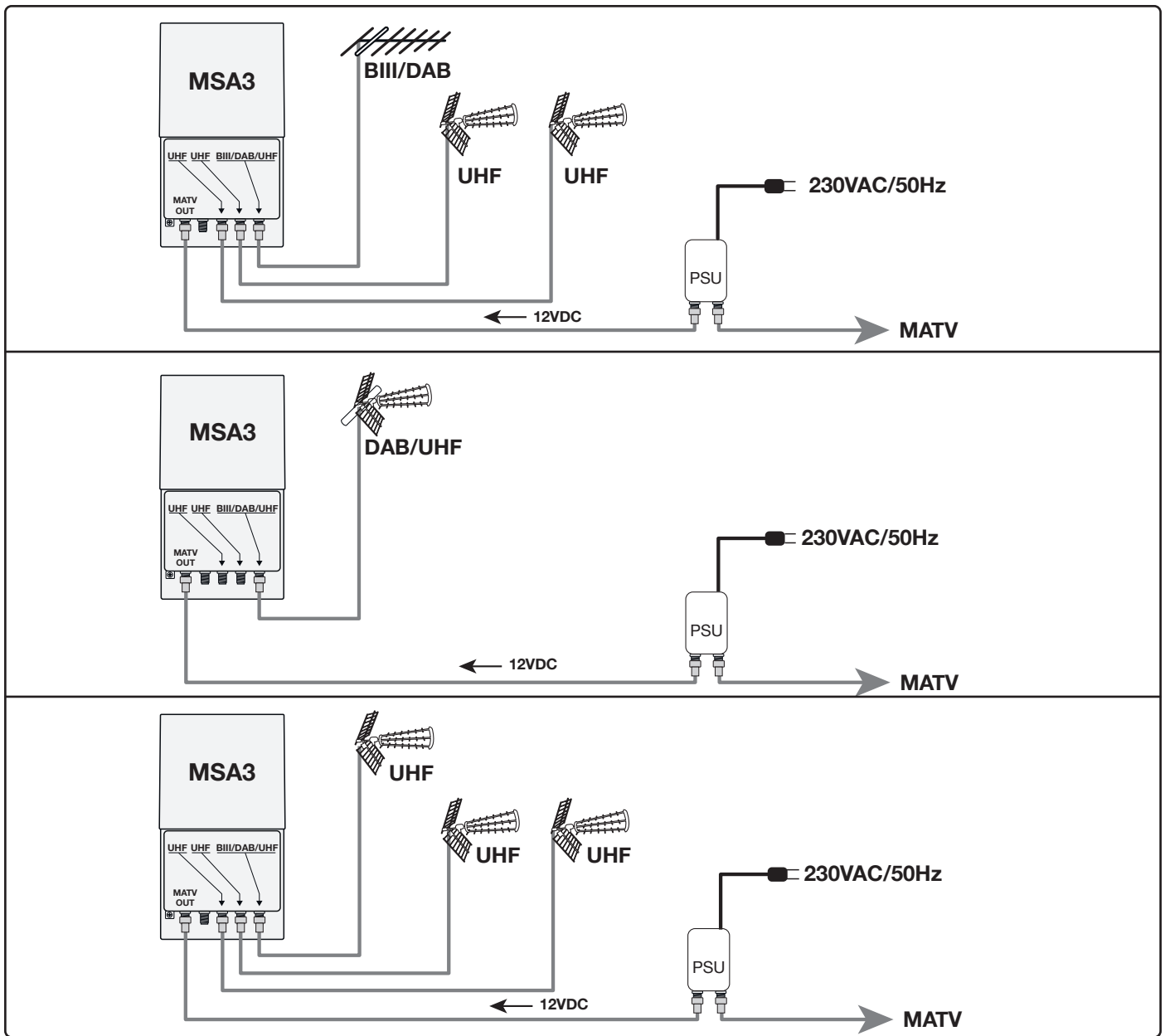
## Antenna remote power error



If **LED POWER** remains fixed red there is an antenna input short circuit or over current. Please check the input(s) and remove the issue. Restart the **SmartScan** pressing for 5 seconds the **AUTO-Programming** key.

## Technical specifications

NUMBER OF INPUTS	3	1xDAB/BIII/UHF (170... 240 / 470... 694) MHz / 2xUHF (470... 694) MHz
LTE PROTECTION		LTE 700
SINGLE CHANNEL FILTERS		32
NUMBER OF CHANNEL PER FILTERS		1
MAXIMUM INPUT LEVEL	dBµV	BIII/DAB 100 - UHF 105
BIII/DAB - UHF INPUTS A.C.G. RANGE	dB	40 dB
DIGITAL FILTERS SELECTIVITY	dB	≥50 (Adjacent Channels)
BIII/DAB GAIN	dB	48
UHF GAIN	dB	48
OUTPUT LEVEL RANGE	dBµV	73... 93 (Adjustable)
MAX TOTAL OUTPUT LEVEL	dBµV	108 (IM3 DIN 45004B - 60 dBc)
RETURN LOSS IN/OUT	dB	>10
AERIAL INPUTS REMOTE POWERING (AUTOSENSING)		12...15VDC / 50mA
INPUT VOLTAGE	V	12... 15VDC
MAXIMUM CONSUMPTION		12VDC / 5,5W
OPERATING TEMPERATURE	°C	-15... 45
DIMENSIONS	mm	129 x 128,5 x 51,5



## SAFETY INSTRUCTIONS


1. Ambient temperature should not be higher than 45° C.
2. Install and fix safely the unit on a vertical wall or mast with its own rainproof case.
3. Connect the power adapter cord to a detachable power supply socket.
4. Do not place the equipment in a place where it can suffer vibrations or shocks.
5. Only use attachments/accessories specified by the manufacturer.

## DESCRIPTION OF SYMBOLS AND ELECTRICAL SAFETY

 The equipment complies with the CE requirements



The equipment is compliant with RoHS 2011/65EU

 Equipment grounding terminal



Dispose according to local authorities recycling processes

**LEM ELETTRONICA srl**

Via Grezze, 38 - 25015 Desenzano d/G Italy Tel. +39 0309120006 info@lemelettronica.it

