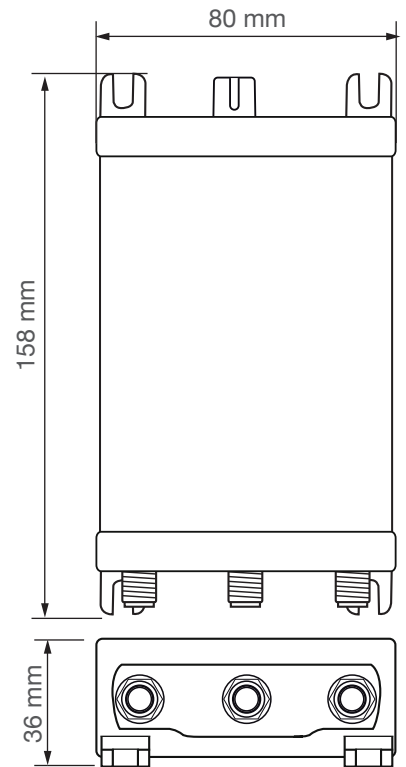


FCOWT

Optical WB Receiver/converter User manual

- A.C.G. for each output
- RF adjuster for each output
- Optical link monitor










Ready for **UHD TV** **MADE IN ITALY**

Rel. 1.1

MODEL		FCOWT
OPTICAL INPUT		1
RF OUTPUTS		3
OPTICAL		
OPERATION WAVELENGTH	nm	1310 - 1330 - 1550
INPUT POWER RANGE	dBm	-14... 0
INPUT CONNECTOR TYPE		SC/APC
RETURN LOSS	dB	≥40
SATELLITE		
OUTPUT BANDWIDTH	MHz	250... 2400
OUTPUT LEVEL	dBμV	78... 90
TV TERRESTRIAL / FM / DAB		
OUTPUT BANDWIDTH	MHz	40... 900
LEVEL ADJUSTER ATTENUATOR	dB	0... -20
OUTPUT LEVEL	dBμV	70... 90
OTHERS		
ISOLATION V / H	dB	> 30
OUTPUT RETURN LOSS	dB	> 12
DC INPUT VOLTAGE RANGE	V	12... 20
MAXIMUM CONSUMPTION	W	3,2
OPERATING TEMPERATURE	°C	0... 50
DIMENSIONS	mm	80x159x35

DESCRIPTION OF SYMBOLS AND ELECTRICAL SAFETY

	The equipment complies with the CE requirements
	The equipment is designed for indoor use only
	Equipment grounding terminal
	This symbol indicates that the equipment complies with the class II equipment safety requirements
	To avoid the risk of electric shock, do not open the equipment.
	The equipment is compliant with RoHS 2011/65EU
	Dispose according to local authorities recycling processes

Safety instructions

1. Read carefully these instructions
2. Keep these instructions
3. Heed all warnings
4. Follow all instructions
5. Do not expose this apparatus to extreme temperatures
6. Do not install this apparatus near water or expose to rain and moisture
7. Place the apparatus in a dry and well-aired location
8. Install the unit on a vertical wall, or in a waterproof cabinet with a minimum IP55 rating, and fix it safely using the provided fixing plugs
9. Do not install the unit lying flat or on its top
10. Connect the power adapter cord to a detachable power supply socket
11. Unplug the apparatus during lightning storms or when unused for long time
12. Only use accessories specified by the manufacturer
13. Do not remove the cover without disconnecting from the mains first
14. Ambient temperature should not be lower than 0°C and higher than 50°C
15. Please allow air circulation around the apparatus



Installation warnings

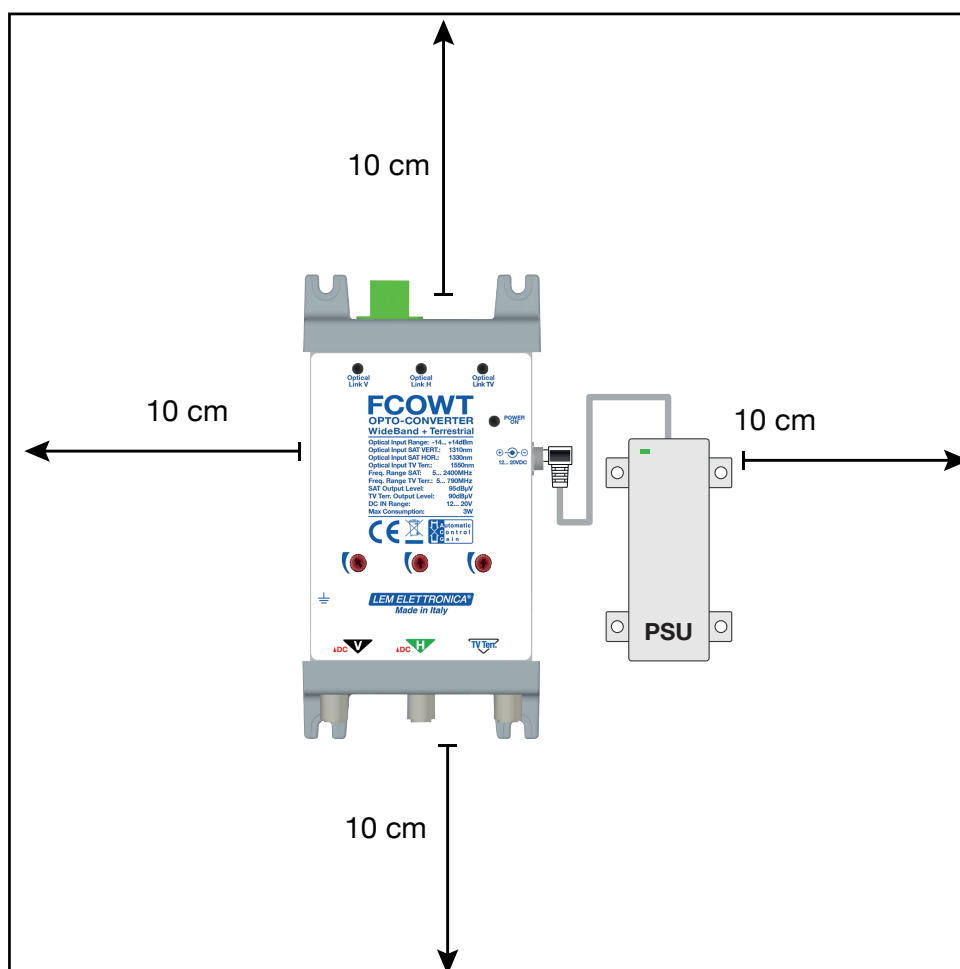
Place the apparatus and the power supplier in a dry and well-aired location

Install the unit on a vertical wall, or in a waterproof cabinet with a minimum IP55 rating, and fix it safely using the provided fixing plugs

Use only the power supplier YS25-1501250 provided with the amplifier.

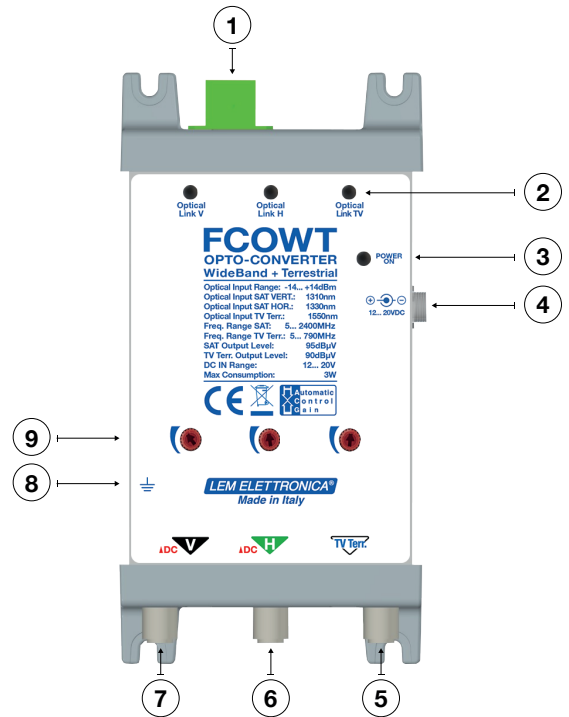
The use of not-original power suppliers determines the not-compliance of the product and can cause malfunctions and void the warranty

Minimum recommended distance



FCOWT DESCRIPTION

- ① Optical SC/APC input
- ② Optical link Status Led
- ③ DC Input status led
- ④ DC input 12... 20 Volt
- ⑤ Terrestrial Output
- ⑥ Satellite H Wide Band output
- ⑦ Satellite V Wide Band output
- ⑧ Equipotential bonding
- ⑨ Terrestrial & Satellite signals output level adjuster



The optical signal level at the input of the optical converter **FCOWT** must be between 0dBm e -14dBm.



Optical signals higher than 0dBm can irreversibly damage the **FCOWT** in PON with less than 4 optical points add a proper optical attenuator.

MONITOR LED DESCRIPTION

DC Input

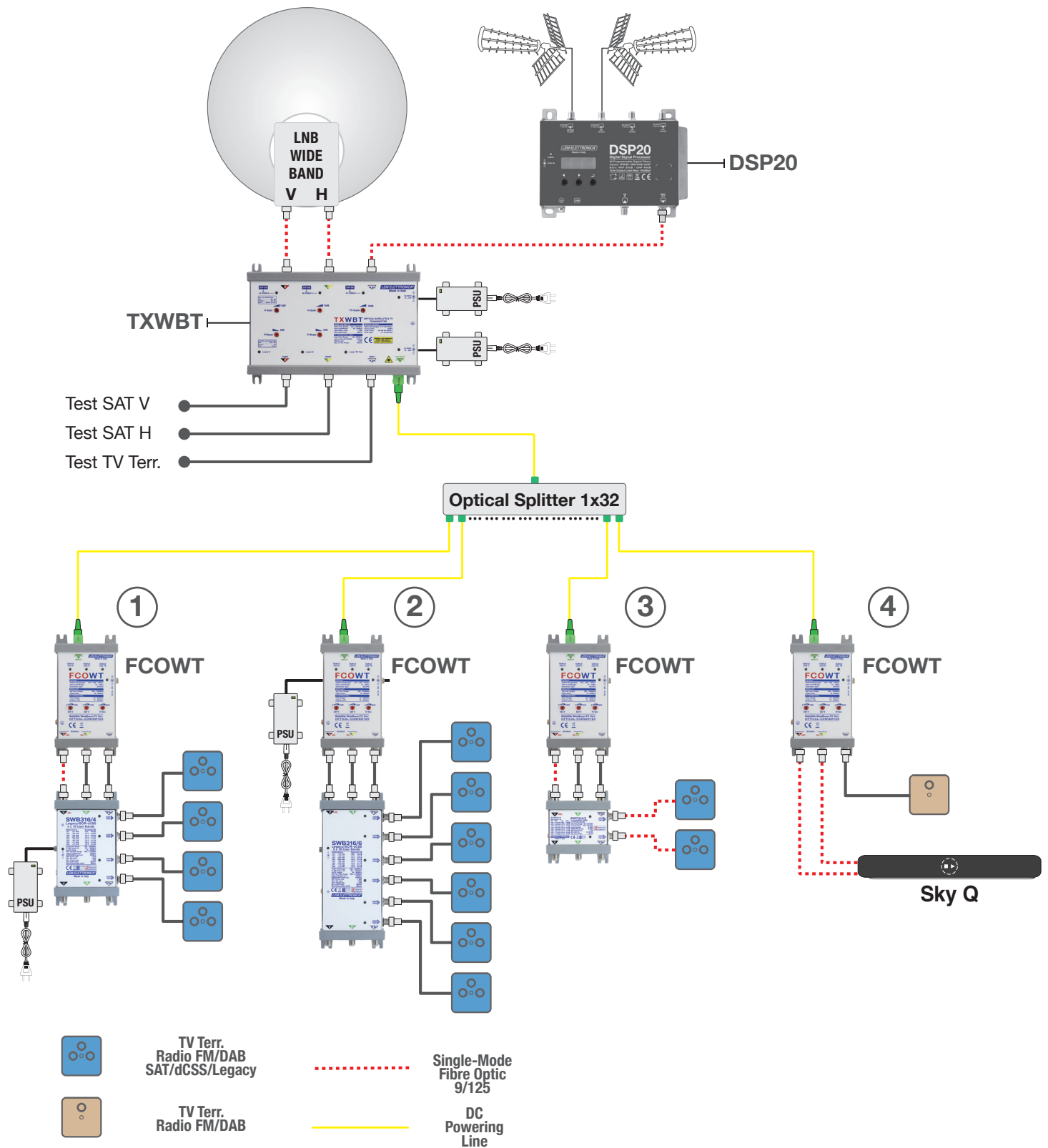
Off= No power

Green= Power

Optical Link

Off= No optical link

Green= Optical link



The **TXWBT** headend converts and transmits over a single-mode optical fibre cable the terrestrial signals (DTT, FM, DAB) and all the transponders of a satellite received from an Wide Band LNB. The reception / conversion of the optical signals are performed by **FCOWT**.

In the sample there are four suggested use and powering mode of the **FCOWT**:

- (1) Combined with a **SWB316/4** powered by the PSU connected to the multiswitch.
- (2) Combined with a **SWB316/8**, powering is provided by PSU connected to FCOWT
- (3) Combined with a **SWC316/2**, powering is provided by the Set-Top-Box.
- (4) Directly powered and connected to the Sky Q Wide Band inputs

Etichetta dati seriali e tracciamento

AA1000015019-X1020L

Modello N° Seriale Sett. Anno
Produzione HW FW
Versione